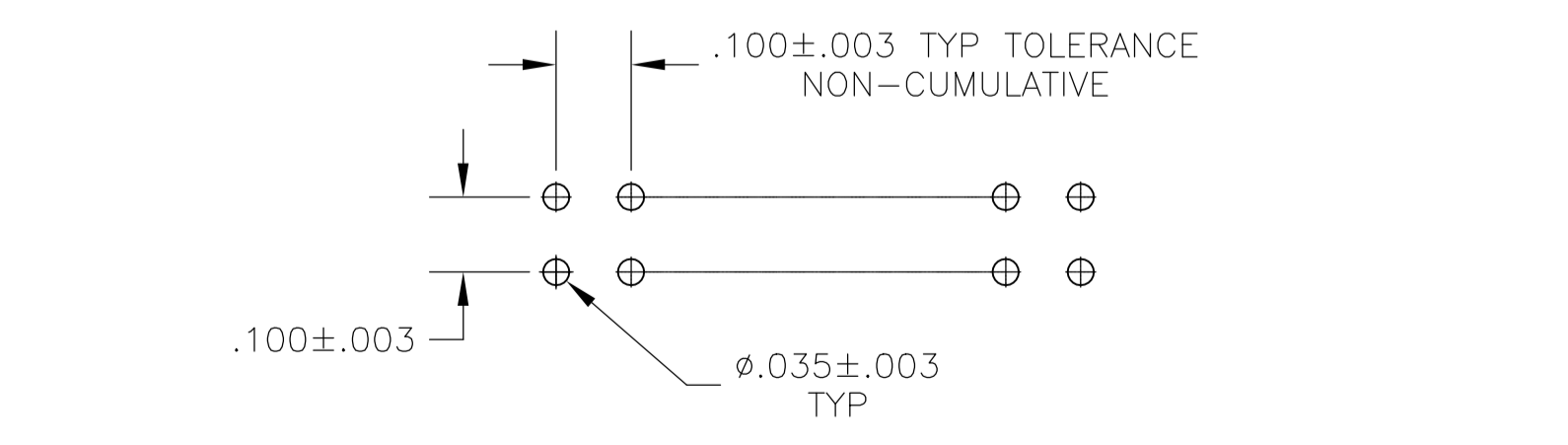
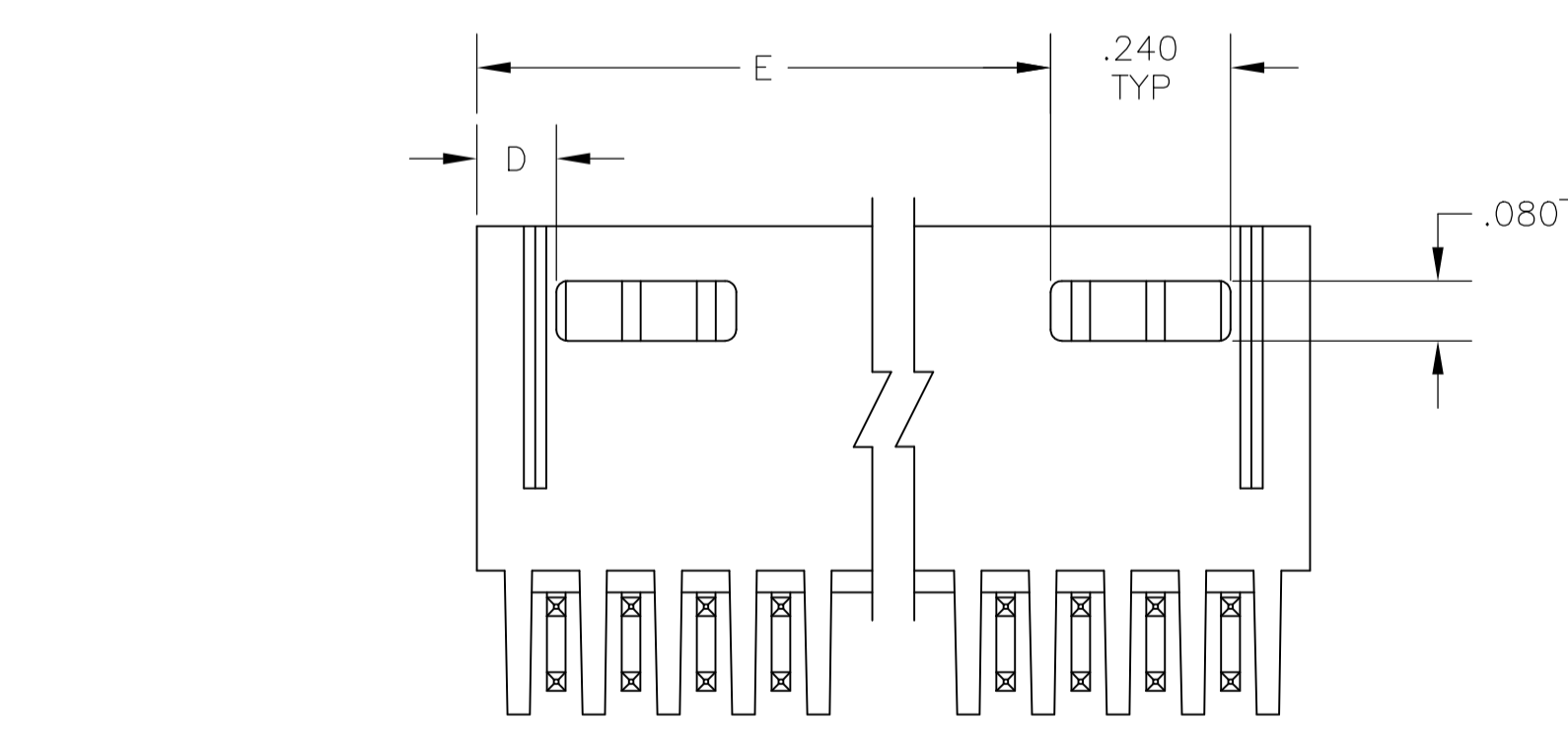
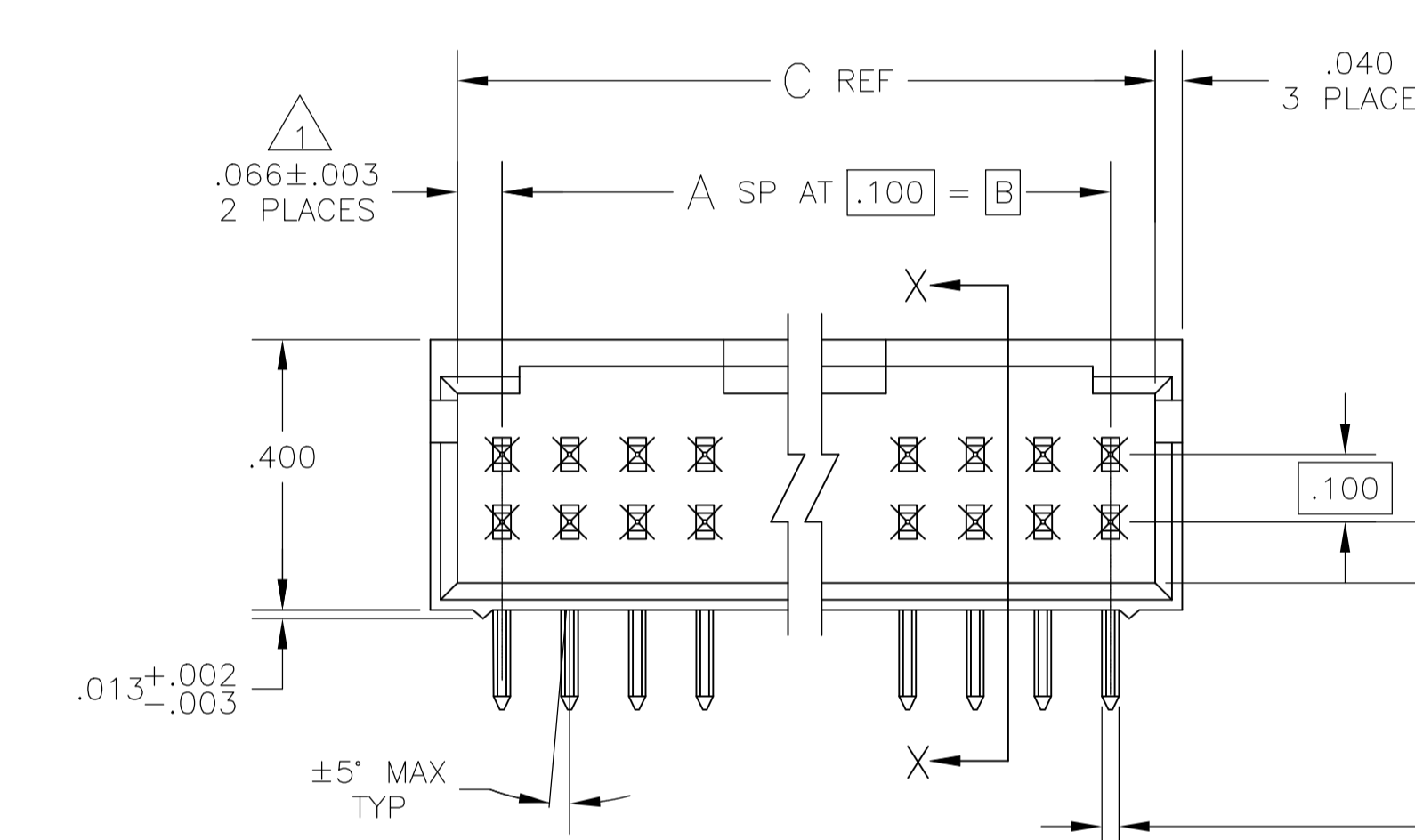
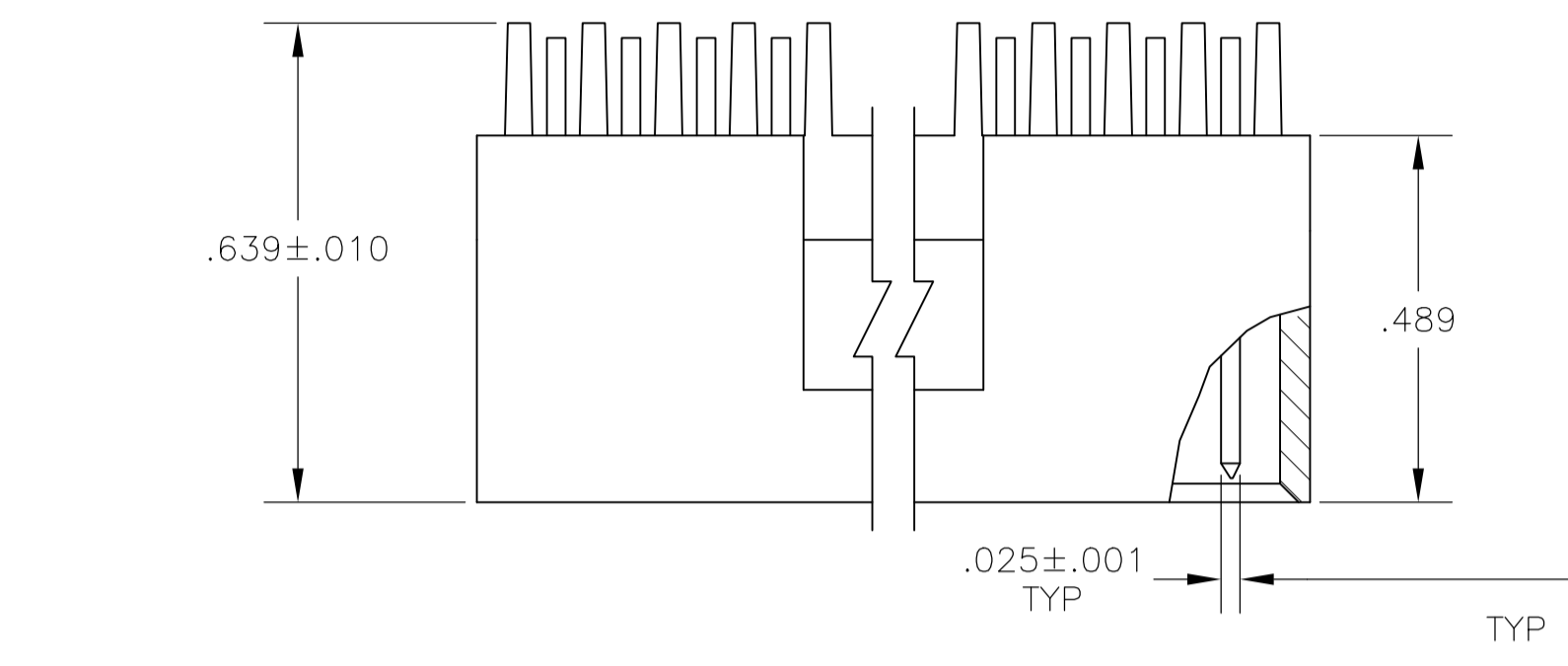
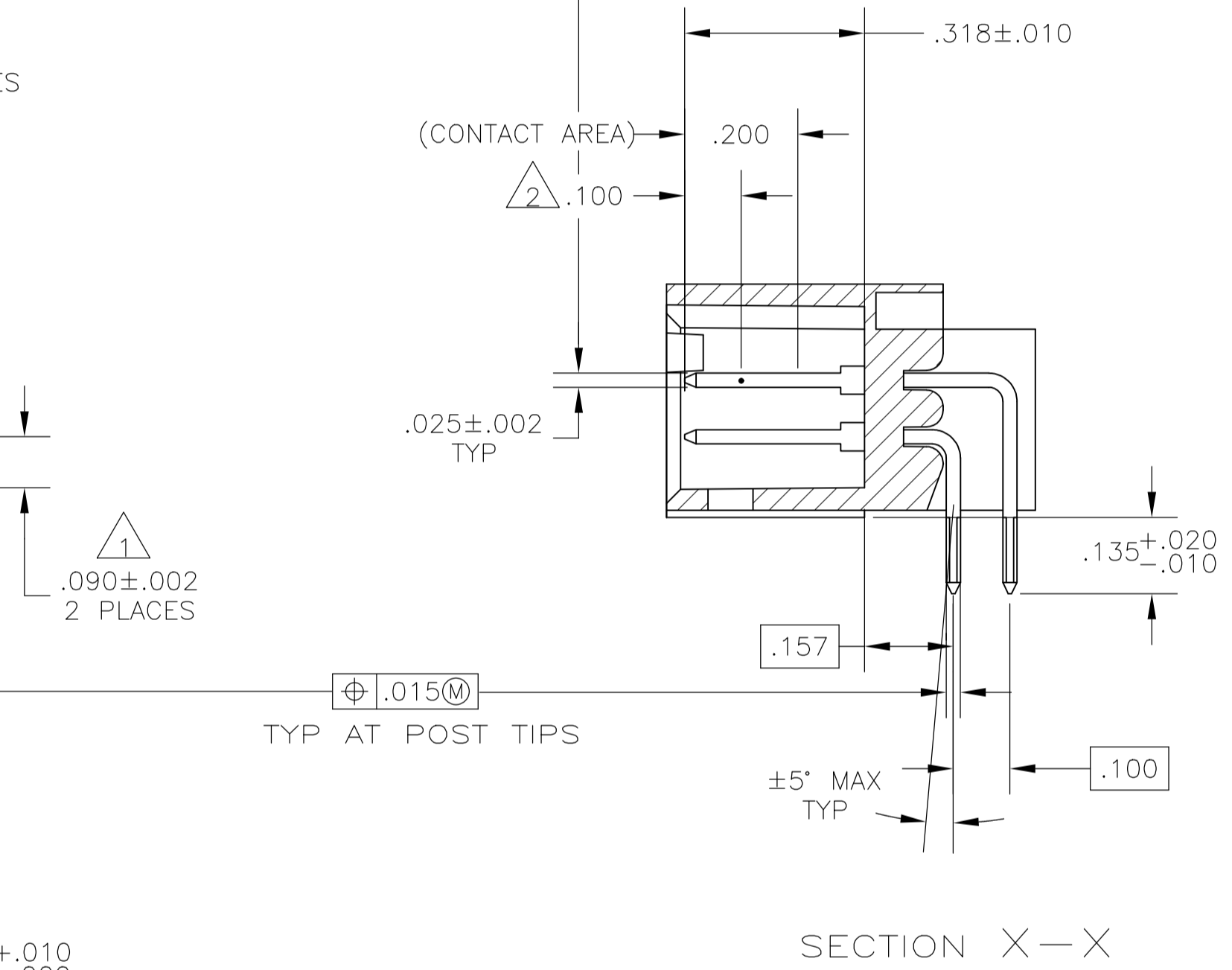


REVISIONS				
P	LTR	DESCRIPTION	DATE	APPD
K3		PART STATUS UPDATED IN PART LIST TABLE	19FEB2018	SD PS

- 1 THE NOTED DIMENSION APPLIES AT THE INTERSECTION OF THE POST AND HOUSING
- 2 POINT OF MEASUREMENT FOR PLATING THICKNESS.
- 3 PACKAGED IN SINGLE TUBES
- 4 POSTS: .000030 GOLD IN CONTACT AREA .000100-.000200 MATTE TIN LEAD ON SOLDER TAIL, ALL OVER .000050 NICKEL
- 5 POSTS: .000030 GOLD IN CONTACT AREA .000100-.000200 MATTE TIN ON SOLDER TAIL, ALL OVER .000050 NICKEL
- 6 OBSOLETE PARTS: OBSOLETE CIS STREAMLINING PER D.RENAUD/D.SINISI



RECOMMENDED HOLE LAYOUT



PLATING	E	D	C	B	A	NO OF POSN	ASSEMBLY PART NUMBER
6	3	6	6	6	6	2	8-103166-6
6	6	6	6	6	6	36	8-103166-5
6	6	6	6	6	6	35	8-103166-4
6	6	6	6	6	6	34	8-103166-3
6	6	6	6	6	6	33	8-103166-2
6	6	6	6	6	6	32	8-103166-1
6	6	6	6	6	6	31	8-103166-0
6	6	6	6	6	6	30	7-103166-9
6	6	6	6	6	6	29	7-103166-8
6	6	6	6	6	6	28	7-103166-7
6	6	6	6	6	6	27	7-103166-6
6	6	6	6	6	6	26	7-103166-5
6	6	6	6	6	6	25	7-103166-4
6	6	6	6	6	6	24	7-103166-3
6	6	6	6	6	6	23	7-103166-2
6	6	6	6	6	6	22	7-103166-1
6	6	6	6	6	6	21	7-103166-0
6	6	6	6	6	6	20	6-103166-9
6	6	6	6	6	6	19	6-103166-8
6	6	6	6	6	6	18	6-103166-7
6	6	6	6	6	6	17	6-103166-6
6	6	6	6	6	6	16	6-103166-5
6	6	6	6	6	6	15	6-103166-4
6	6	6	6	6	6	14	6-103166-3
6	6	6	6	6	6	13	6-103166-2
6	6	6	6	6	6	12	6-103166-1
6	6	6	6	6	6	11	6-103166-0
6	6	6	6	6	6	10	5-103166-9
6	6	6	6	6	6	9	5-103166-8
6	6	6	6	6	6	8	5-103166-7
6	6	6	6	6	6	7	5-103166-6
6	6	6	6	6	6	6	5-103166-5
6	6	6	6	6	6	5	5-103166-4
6	6	6	6	6	6	4	5-103166-3
6	6	6	6	6	6	3	5-103166-2
6	6	6	6	6	6	2	5-103166-1
6	3	6	6	6	6	2	3-103166-6
6	6	6	6	6	6	36	3-103166-5
6	6	6	6	6	6	35	3-103166-4
6	6	6	6	6	6	34	3-103166-3
6	6	6	6	6	6	33	3-103166-2
6	6	6	6	6	6	32	3-103166-1
6	6	6	6	6	6	31	3-103166-0
6	6	6	6	6	6	30	2-103166-9
6	6	6	6	6	6	29	2-103166-8
6	6	6	6	6	6	28	2-103166-7
6	6	6	6	6	6	27	2-103166-6
6	6	6	6	6	6	26	2-103166-5
6	6	6	6	6	6	25	2-103166-4
6	6	6	6	6	6	24	2-103166-3
6	6	6	6	6	6	23	2-103166-2
6	6	6	6	6	6	22	2-103166-1
6	6	6	6	6	6	21	2-103166-0
6	6	6	6	6	6	20	1-103166-9
6	6	6	6	6	6	19	1-103166-8
6	6	6	6	6	6	18	1-103166-7
6	6	6	6	6	6	17	1-103166-6
6	6	6	6	6	6	16	1-103166-5
6	6	6	6	6	6	15	1-103166-4
6	6	6	6	6	6	14	1-103166-3
6	6	6	6	6	6	13	1-103166-2
6	6	6	6	6	6	12	1-103166-1
6	6	6	6	6	6	11	1-103166-0
6	6	6	6	6	6	10	103166-9
6	6	6	6	6	6	9	103166-8
6	6	6	6	6	6	8	103166-7
6	6	6	6	6	6	7	103166-6
6	6	6	6	6	6	6	103166-5
6	6	6	6	6	6	5	103166-4
6	6	6	6	6	6	4	103166-3
6	6	6	6	6	6	3	103166-2
6	6	6	6	6	6	2	103166-1

THIS DRAWING IS A CONTROLLED DOCUMENT.

DIMENSIONS: INCHES	TOLERANCES UNLESS OTHERWISE SPECIFIED:	0 PLC ± .005	1 PLC ± .005	2 PLC ± .005	3 PLC ± .005	4 PLC ± .005	ANGLES ± .005
--------------------	--	--------------	--------------	--------------	--------------	--------------	---------------

MATERIAL: HOUSING: PLATE RETARDANT THERMOPLASTIC; COLOR: BLACK; POSTS: PHOS BRONZE; FINISH: SEE TABLE

TE Connectivity  
HDR ASSY, MOD II, SHROUDED, 4 SIDES, DBL ROW, .100X.100 WITH .025 SQ POSTS

SCALE: 4:1 SHEET 1 OF 1 REV: K3

## X-ON Electronics

Largest Supplier of Electrical and Electronic Components

*Click to view similar products for [Headers & Wire Housings](#) category:*

*Click to view products by [TE Connectivity](#) manufacturer:*

Other Similar products are found below :

[95000-104TRLF](#) [10135584-644402LF](#) [DF62W-EP2022PCA](#) [95000-106TRLF](#) [DF62W-2022SCA](#) [DF62W-EP2022PC](#) [2203348](#) [DF62W-2022SC](#) [1084018](#) [1029039](#) [1084017](#) [802-10-012-10-002000](#) [1112640](#) [1112639](#) [000-34000](#) [0009482033](#) [0009507031](#) [57102-S06-03LF](#) [57202-S52-04LF](#) [PCN6-15S-2.5E](#) [0039019024](#) [58102-G61-06LF](#) [582553-1](#) [0009508121](#) [0050291907](#) [018731A](#) [LY20-4P-DT1-P1E-BR](#) [02.125.8002.8](#) [60101931](#) [60598-1 \(Cut Strip\)](#) [M1625-3R/100](#) [61062-3](#) [61082-181009](#) [636-1427](#) [638009-1](#) [641938-9](#) [641991-4](#) [644168-1](#) [647662-1](#) [65039-019ELF](#) [65817-002LF](#) [65817-015LF](#) [65863-015LF](#) [66207-023LF](#) [67016-026LF](#) [67046-001LF](#) [67095-007LF](#) [68002-116](#) [68016-236H](#) [68648-049](#)