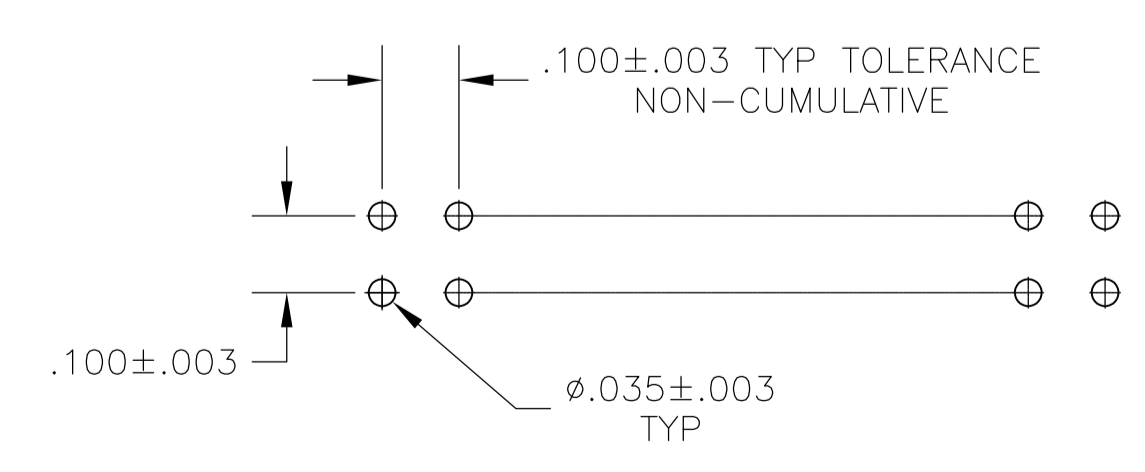
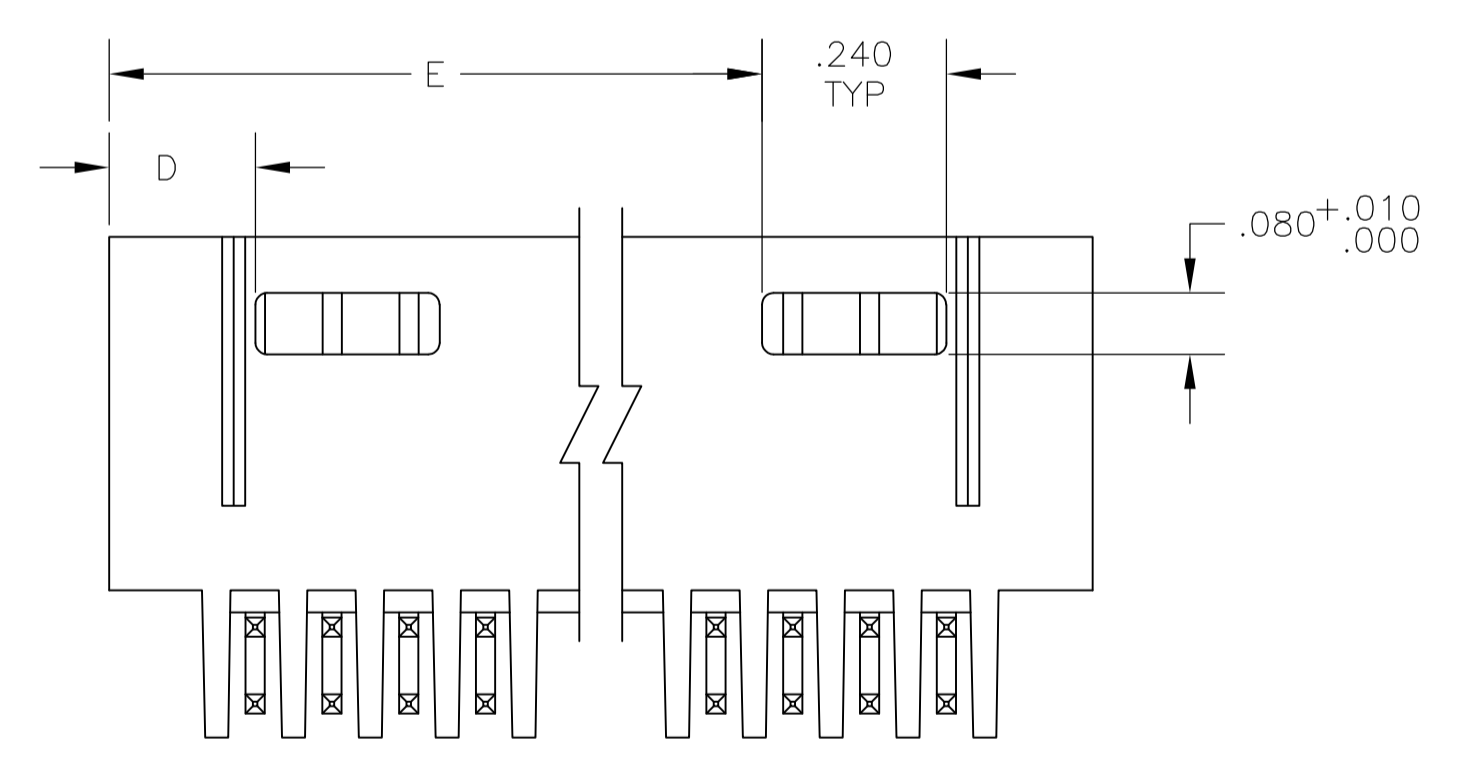
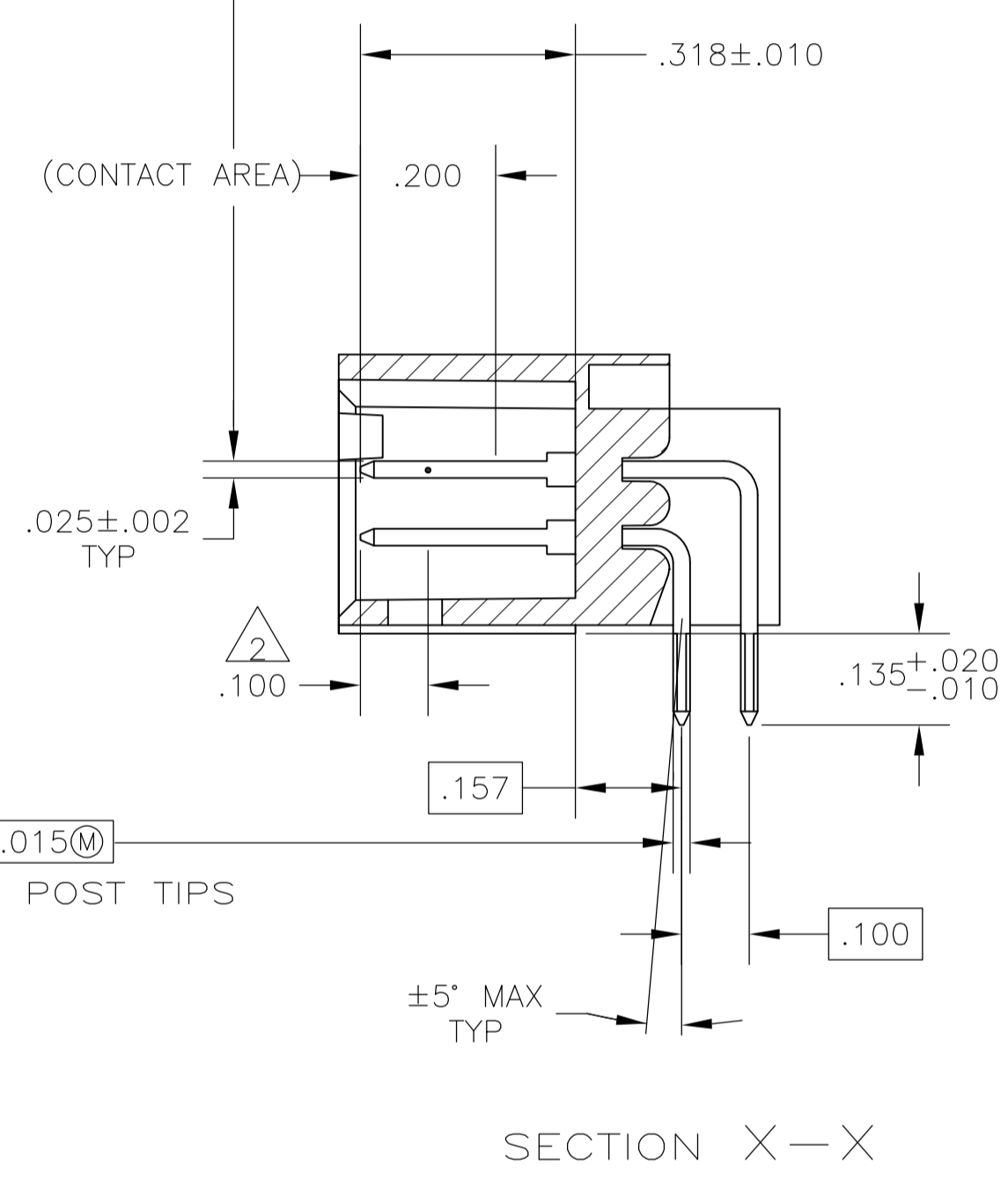
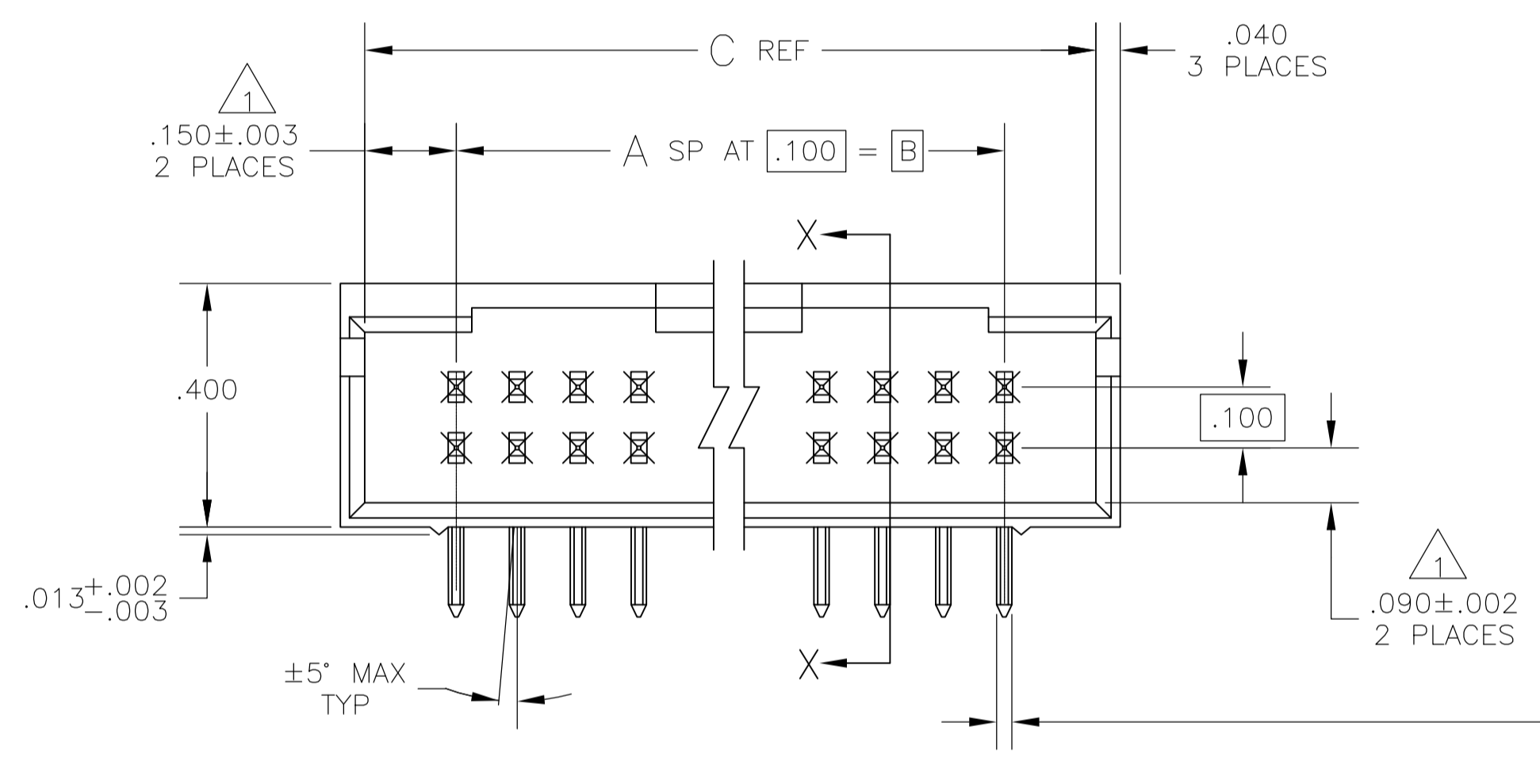
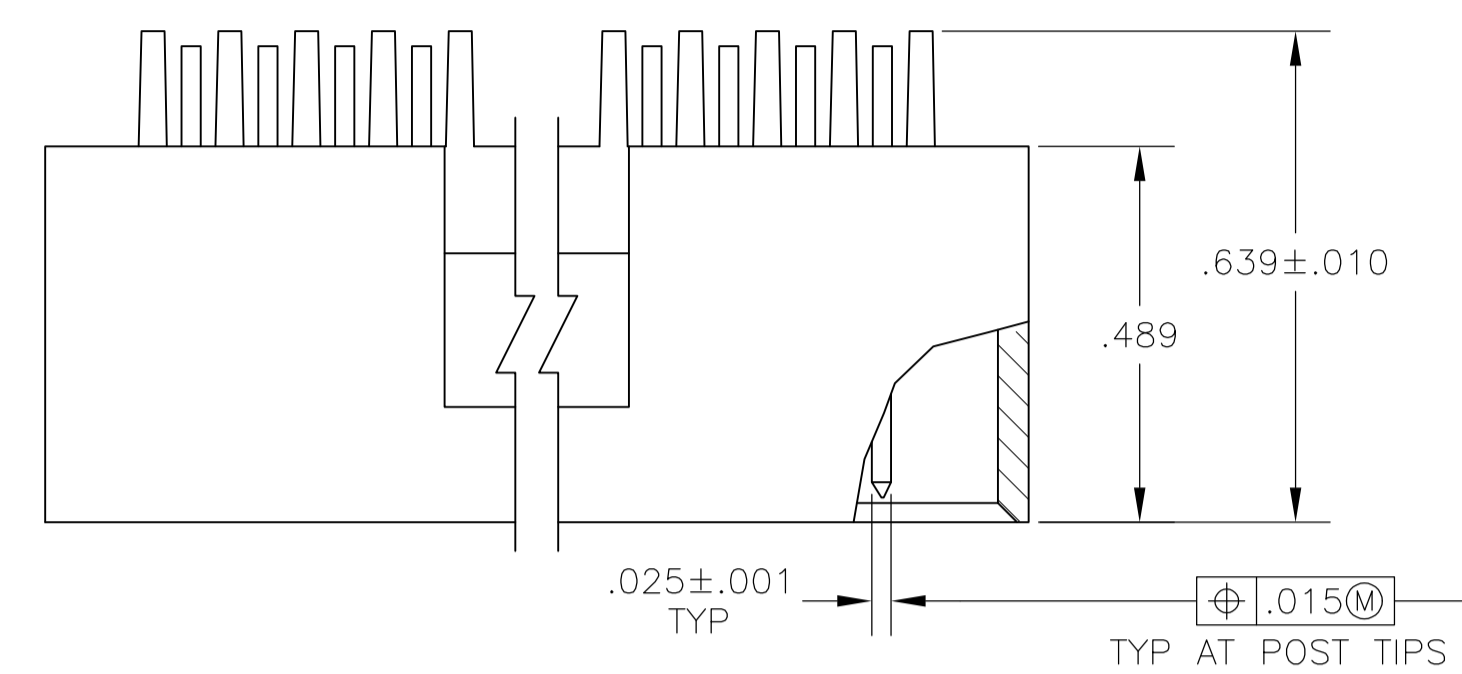


- 1 THE NOTED DIMENSION APPLIES AT THE INTERSECTION OF THE POST AND HOUSING
- 2 POINT OF MEASUREMENT FOR PLATING THICKNESS.
- 3 POSTS: .000030 GOLD IN CONTACT AREA .000100-.000200 MATTE TIN LEAD ON SOLDER TAIL, ALL OVER .000050 NICKEL
- 4 POSTS: .000030 GOLD IN CONTACT AREA .000100-.000200 MATTE TIN ON SOLDER TAIL, ALL OVER .000050 NICKEL
- 5 OBSOLETE PARTS: OBSOLETE CIS STREAMLINING PER D.RENAUD/D.SINISI



REV	DESCRIPTION	DATE	BY	CHK	APPV	REV	DESCRIPTION	DATE	BY	CHK	APPV	
5	OBSOLETE					3.490	.190	3.800	3.500	35	72	8-103167-3
5	OBSOLETE					3.390	.190	3.700	3.400	34	70	8-103167-2
						3.290	.190	3.600	3.300	33	68	8-103167-1
5	OBSOLETE					3.190	.190	3.500	3.200	32	66	8-103167-0
5	OBSOLETE					3.090	.190	3.400	3.100	31	64	7-103167-9
5	OBSOLETE					2.990	.190	3.300	3.000	30	62	7-103167-8
						2.890	.190	3.200	2.900	29	60	7-103167-7
5	OBSOLETE					2.790	.190	3.100	2.800	28	58	7-103167-6
5	OBSOLETE					2.690	.190	3.000	2.700	27	56	7-103167-5
5	OBSOLETE					2.590	.190	2.900	2.600	26	54	7-103167-4
5	OBSOLETE					2.490	.190	2.800	2.500	25	52	7-103167-3
5	OBSOLETE					2.390	.190	2.700	2.400	24	50	7-103167-2
5	OBSOLETE					2.290	.190	2.600	2.300	23	48	7-103167-1
5	OBSOLETE					2.190	.190	2.500	2.200	22	46	7-103167-0
5	OBSOLETE					2.090	.190	2.400	2.100	21	44	6-103167-9
5	OBSOLETE					1.990	.190	2.300	2.000	20	42	6-103167-8
						1.890	.190	2.200	1.900	19	40	6-103167-7
5	OBSOLETE					1.790	.190	2.100	1.800	18	38	6-103167-6
5	OBSOLETE					1.690	.190	2.000	1.700	17	36	6-103167-5
						1.590	.190	1.900	1.600	16	34	6-103167-4
5	OBSOLETE					1.490	.190	1.800	1.500	15	32	6-103167-3
5	OBSOLETE					1.390	.190	1.700	1.400	14	30	6-103167-2
						1.290	.190	1.600	1.300	13	28	6-103167-1
						1.190	.190	1.500	1.200	12	26	6-103167-0
						1.090	.190	1.400	1.100	11	24	5-103167-9
						.990	.190	1.300	1.000	10	22	5-103167-8
						.890	.190	1.200	.900	9	20	5-103167-7
						.790	.190	1.100	.800	8	18	5-103167-6
						.690	.190	1.000	.700	7	16	5-103167-5
						.590	.190	.900	.600	6	14	5-103167-4
						.490	.190	.800	.500	5	12	5-103167-3
						.390	.190	.700	.400	4	10	5-103167-2
						.290	.190	.600	.300	3	8	5-103167-1
5	OBSOLETE					3.490	.190	3.800	3.500	35	72	3-103167-3
5	OBSOLETE					3.390	.190	3.700	3.400	34	70	3-103167-2
						3.290	.190	3.600	3.300	33	68	3-103167-1
5	OBSOLETE					3.190	.190	3.500	3.200	32	66	3-103167-0
5	OBSOLETE					3.090	.190	3.400	3.100	31	64	2-103167-9
5	OBSOLETE					2.990	.190	3.300	3.000	30	62	2-103167-8
						2.890	.190	3.200	2.900	29	60	2-103167-7
5	OBSOLETE					2.790	.190	3.100	2.800	28	58	2-103167-6
5	OBSOLETE					2.690	.190	3.000	2.700	27	56	2-103167-5
5	OBSOLETE					2.590	.190	2.900	2.600	26	54	2-103167-4
5	OBSOLETE					2.490	.190	2.800	2.500	25	52	2-103167-3
						2.390	.190	2.700	2.400	24	50	2-103167-2
5	OBSOLETE					2.290	.190	2.600	2.300	23	48	2-103167-1
5	OBSOLETE					2.190	.190	2.500	2.200	22	46	2-103167-0
5	OBSOLETE					2.090	.190	2.400	2.100	21	44	1-103167-9
5	OBSOLETE					1.990	.190	2.300	2.000	20	42	1-103167-8
						1.890	.190	2.200	1.900	19	40	1-103167-7
5	OBSOLETE					1.790	.190	2.100	1.800	18	38	1-103167-6
5	OBSOLETE					1.690	.190	2.000	1.700	17	36	1-103167-5
						1.590	.190	1.900	1.600	16	34	1-103167-4
						1.490	.190	1.800	1.500	15	32	1-103167-3
						1.390	.190	1.700	1.400	14	30	1-103167-2
5	OBSOLETE					1.290	.190	1.600	1.300	13	28	1-103167-1
						1.190	.190	1.500	1.200	12	26	1-103167-0
						1.090	.190	1.400	1.100	11	24	103167-9
						.990	.190	1.300	1.000	10	22	103167-8
						.890	.190	1.200	.900	9	20	103167-7
5	SUPERSEDED					.790	.190	1.100	.800	8	18	103167-6
						.690	.190	1.000	.700	7	16	103167-5
						.590	.190	.900	.600	6	14	103167-4
						.490	.190	.800	.500	5	12	103167-3
						.390	.190	.700	.400	4	10	103167-2
						.290	.190	.600	.300	3	8	103167-1

PLATING	E	D	C	B	A	NO OF POSN	ASSEMBLY PART NUMBER
---------	---	---	---	---	---	------------	----------------------

THIS DRAWING IS A CONTROLLED DOCUMENT.

STE TE Connectivity

HDR ASSY, MOD II, SHROUDED, 4 SIDES, DBL ROW, .100X.100 RIGHT ANGLE, W/ .025 SQ POSTS

DATE: 27JUL87, 28JUL87, 29JUL87

APPROVED: R FLICKER

PRODUCT SPEC

APPLICATION SPEC

SIZE: A1, 00779, 103167

WEIGHT: --

CUSTOMER DRAWING

SCALE: 4:1, SHEET 1 OF 1, REV N4

X-ON Electronics

Largest Supplier of Electrical and Electronic Components

Click to view similar products for [Headers & Wire Housings](#) category:

Click to view products by [TE Connectivity](#) manufacturer:

Other Similar products are found below :

[95000-104TRLF](#) [10135584-644402LF](#) [DF62W-EP2022PCA](#) [95000-106TRLF](#) [DF62W-2022SCA](#) [DF62W-EP2022PC](#) [2203348](#) [DF62W-2022SC](#) [1084018](#) [1029039](#) [1084017](#) [802-10-012-10-002000](#) [1112640](#) [1112639](#) [000-34000](#) [0009482033](#) [0009507031](#) [57102-S06-03LF](#) [57202-S52-04LF](#) [PCN6-15S-2.5E](#) [0039019024](#) [58102-G61-06LF](#) [582553-1](#) [0009508121](#) [0050291907](#) [018731A](#) [LY20-4P-DT1-P1E-BR](#) [02.125.8002.8](#) [60101931](#) [60598-1 \(Cut Strip\)](#) [M1625-3R/100](#) [61062-3](#) [61082-181009](#) [636-1427](#) [638009-1](#) [641938-9](#) [641991-4](#) [644168-1](#) [647662-1](#) [65039-019ELF](#) [65817-002LF](#) [65817-015LF](#) [65863-015LF](#) [66207-023LF](#) [67016-026LF](#) [67046-001LF](#) [67095-007LF](#) [68002-116](#) [68016-236H](#) [68648-049](#)