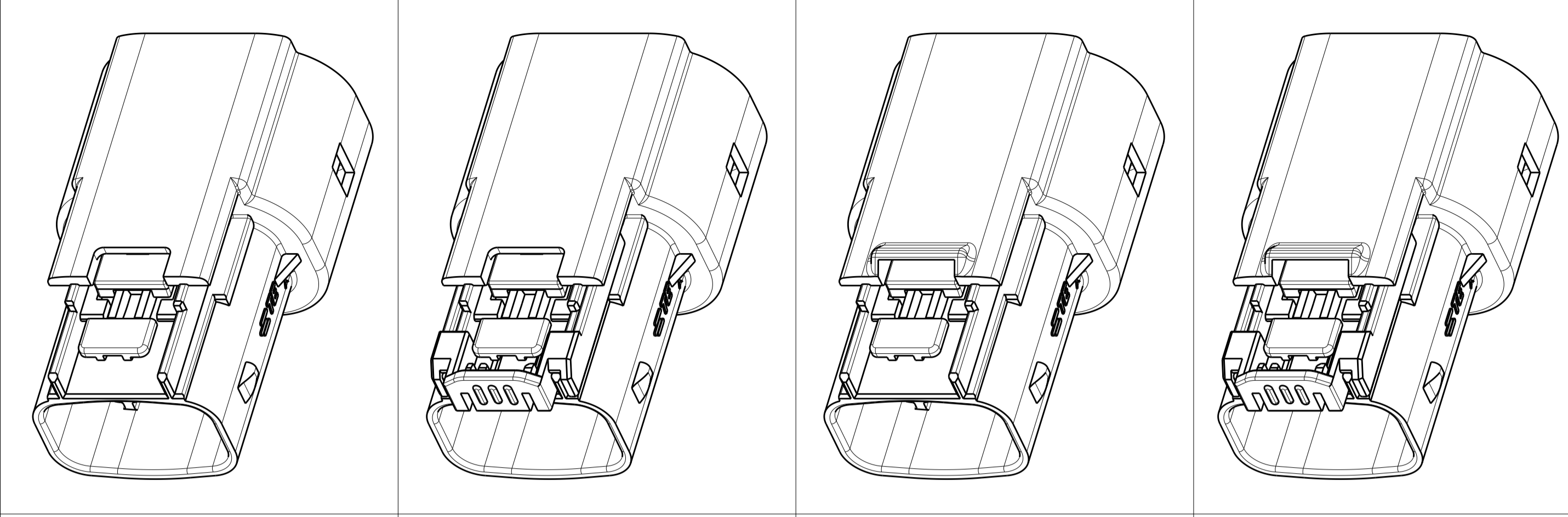
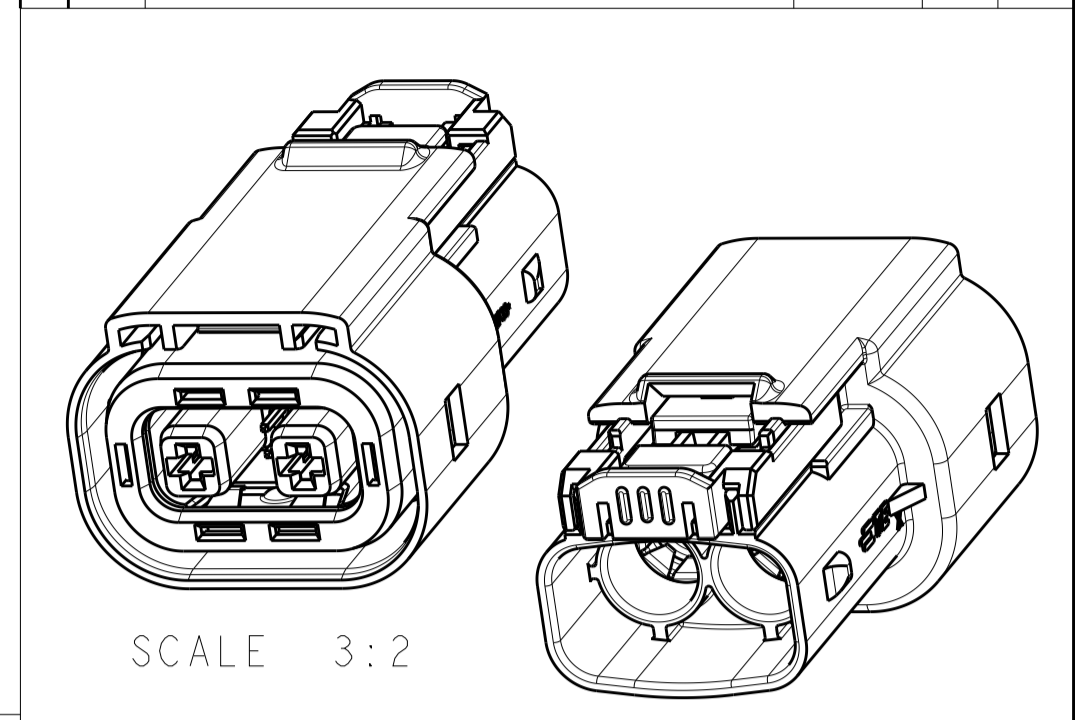


X-2103177-1 KEY A
 X-2103177-2 KEY B
 X-2103177-4 KEY D

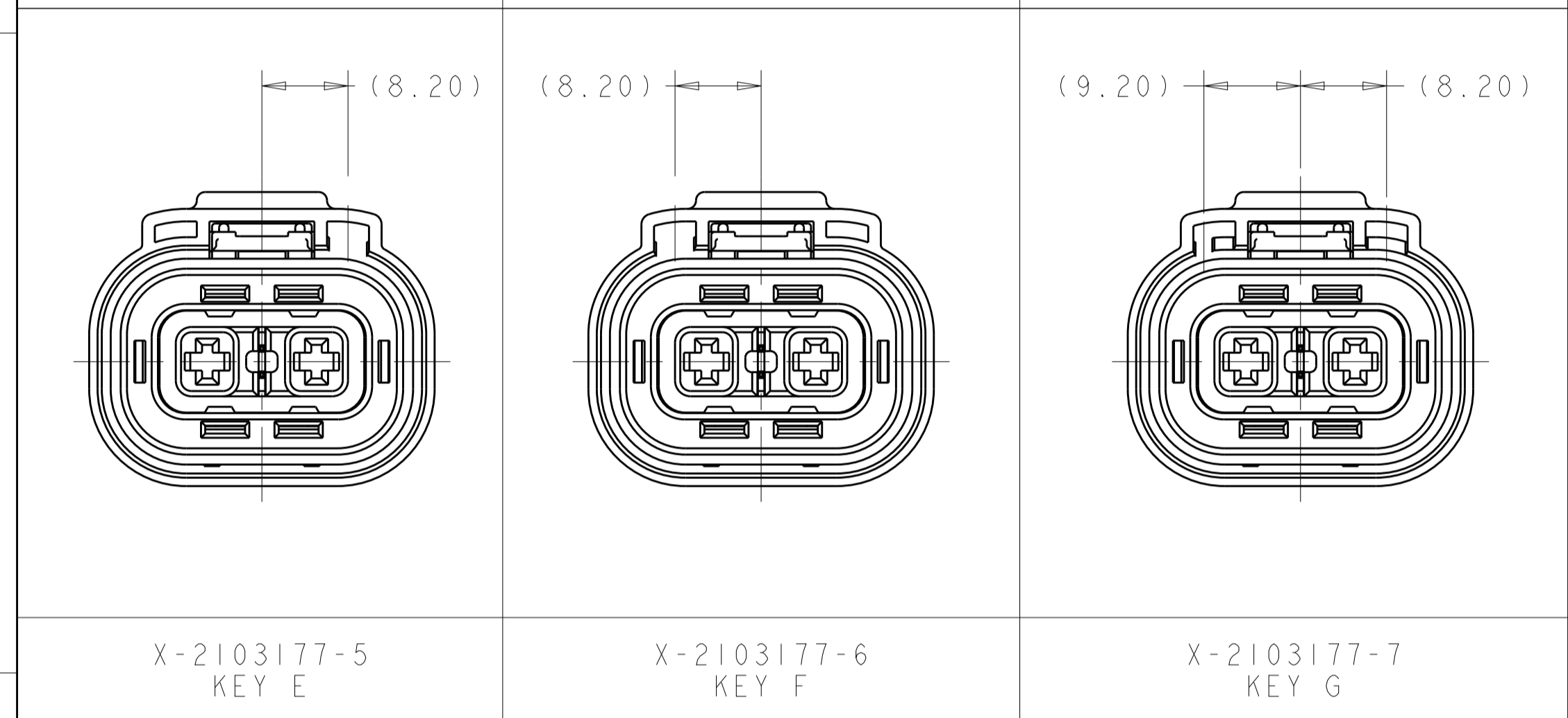


FINGER ACCESSIBLE LATCH WITHOUT CPA
 5-2103177-X AND 6-2103177-X
 FINGER ACCESSIBLE LATCH WITH CPA
 4-2103177-X
 TOOL ACCESSIBLE LATCH WITHOUT CPA
 1-2103177-X
 TOOL ACCESSIBLE LATCH WITH CPA
 2103177-X

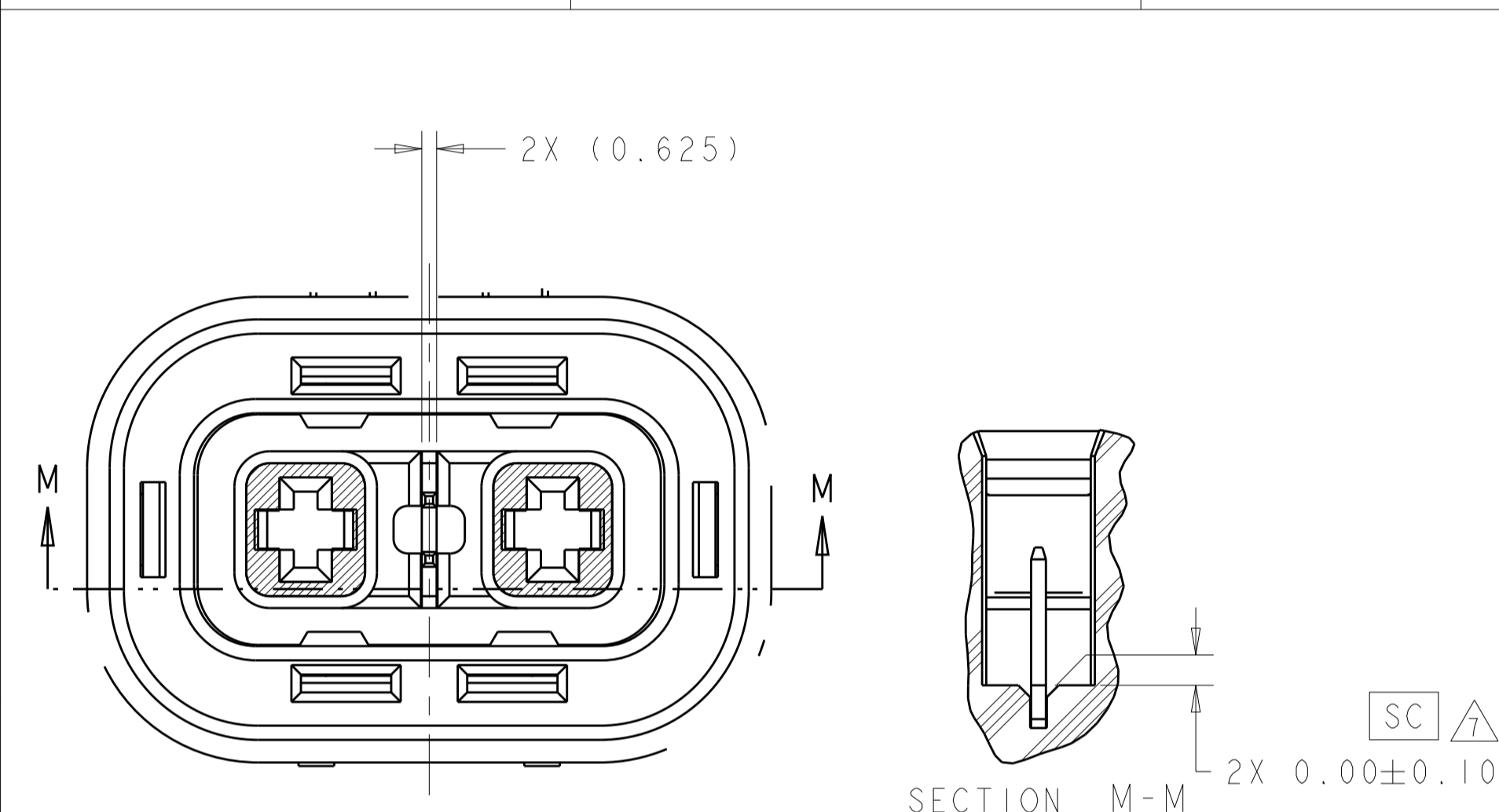
REVISIONS				
P. LTR	DESCRIPTION	DATE	OWN	APVD
B2	ECO-14-008515	06JUN2014	YS	AT
B3	ECO-17-003663	16MAR2017	YS	AG



SCALE 3:2
 SCALE 3:2

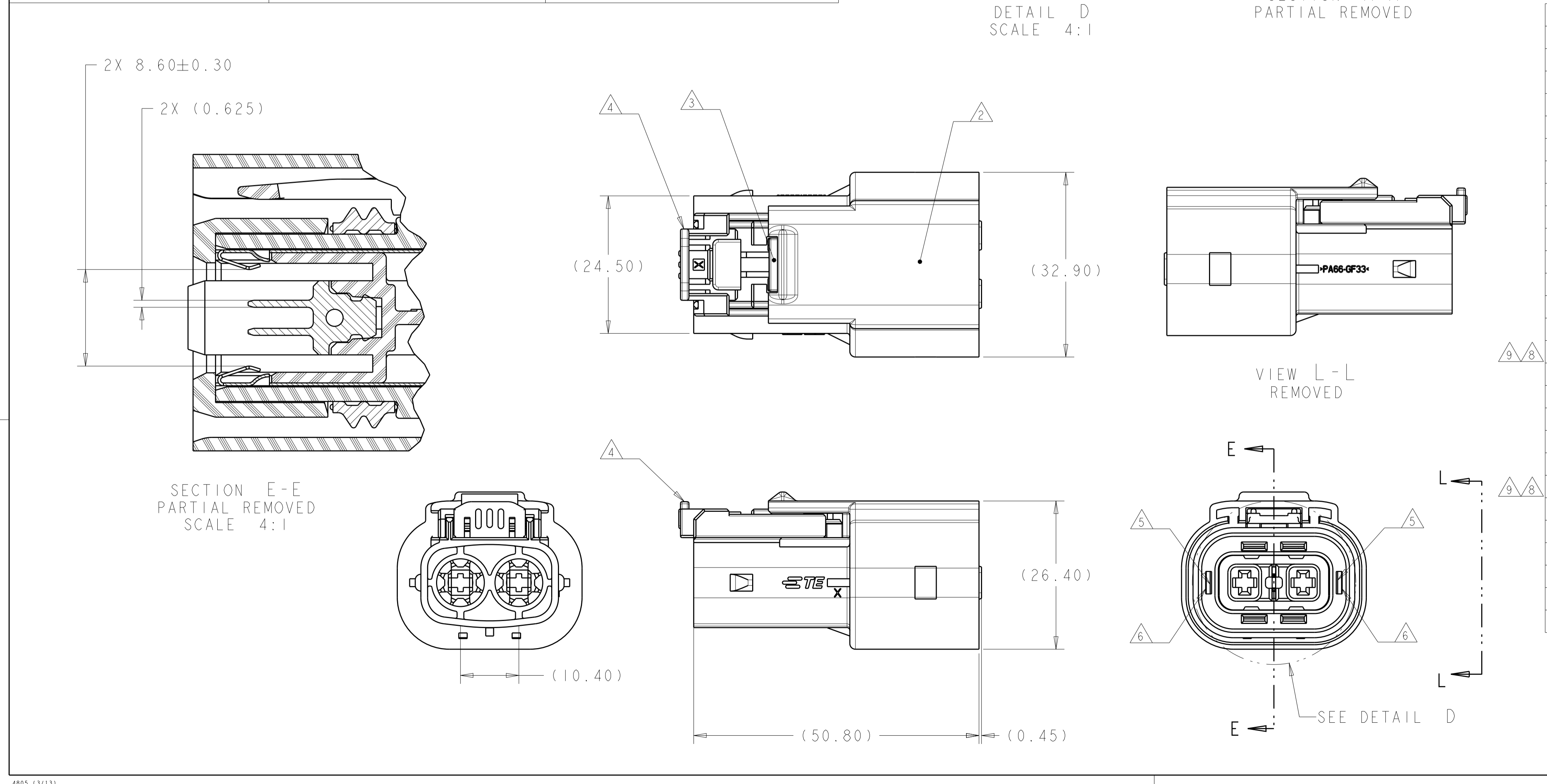


X-2103177-5 KEY E
 X-2103177-6 KEY F
 X-2103177-7 KEY G



DETAIL D
 SCALE 4:1
 SECTION M-M
 PARTIAL REMOVED
 2X 0.00±0.10

1. CONNECTOR MUST BE FREE OF ANY MECHANICAL DEFECTS WHICH MAY AFFECT FIT, FORM, OR PERFORMANCE
2. PART NUMBER AND JULIAN DATE CODE MARKED IN THIS AREA
3. FLOATING LATCH MUST BE FULLY INSTALLED AS SHOWN
4. CPA, WHEN PRESENT MUST BE INSTALLED IN PRE-STAGE POSITION AS SHOWN
5. INNER HOUSING SUB ASSEMBLY MUST BE FULLY LOCKED IN TWO LOCATIONS INTO OUTER HOUSING. INSPECTION PRIOR TO ASSEMBLY OF PERIPHERAL SEAL RETAINER PERMITTED
6. PERIPHERAL SEAL RETAINER MUST BE FULLY LOCKED IN TWO LOCATIONS INTO OUTER HOUSING.
7. MEASURE EACH STAMPING SHOULDER FLUSH CONDITION TO NEIGHBORING PLASTIC SURFACE
8. PRELIMINARY PART - NOT RELEASED FOR PRODUCTION
9. THIS PART HAS NOT COMPLETED VALIDATION TESTING



DESCRIPTION	REV	PART NO
PLUG ASSY, KEY E, HVA280-2PHI XE, FINGER ACCESSIBLE, BLACK	B	6-2103177-5
PLUG ASSY, KEY D, HVA280-2PHI XE, FINGER ACCESSIBLE, BLACK	B	6-2103177-4
PLUG ASSY, KEY B, HVA280-2PHI XE, FINGER ACCESSIBLE, BLACK	B	6-2103177-2
PLUG ASSY, KEY G, HVA280-2PHI XE, FINGER ACCESSIBLE	B	5-2103177-7
PLUG ASSY, KEY F, HVA280-2PHI XE, FINGER ACCESSIBLE	B	5-2103177-6
PLUG ASSY, KEY E, HVA280-2PHI XE, FINGER ACCESSIBLE	B	5-2103177-5
PLUG ASSY, KEY D, HVA280-2PHI XE, FINGER ACCESSIBLE	B	5-2103177-4
PLUG ASSY, KEY B, HVA280-2PHI XE, FINGER ACCESSIBLE	B	5-2103177-2
PLUG ASSY, KEY A, HVA280-2PHI XE, FINGER ACCESSIBLE	B	5-2103177-1
PLUG ASSY, KEY G, HVA280-2PHI XE, FINGER ACCESSIBLE WITH CPA	B	4-2103177-7
PLUG ASSY, KEY F, HVA280-2PHI XE, FINGER ACCESSIBLE WITH CPA	B	4-2103177-6
PLUG ASSY, KEY E, HVA280-2PHI XE, FINGER ACCESSIBLE WITH CPA	B	4-2103177-5
PLUG ASSY, KEY D, HVA280-2PHI XE, FINGER ACCESSIBLE WITH CPA	B	4-2103177-4
PLUG ASSY, KEY B, HVA280-2PHI XE, FINGER ACCESSIBLE WITH CPA	B	4-2103177-2
PLUG ASSY, KEY A, HVA280-2PHI XE, FINGER ACCESSIBLE WITH CPA	B	4-2103177-1
PLUG ASSY, KEY G, HVA280-2PHI XE, TOOL ACCESSIBLE	I	1-2103177-7
PLUG ASSY, KEY F, HVA280-2PHI XE, TOOL ACCESSIBLE	B	1-2103177-6
PLUG ASSY, KEY E, HVA280-2PHI XE, TOOL ACCESSIBLE	B	1-2103177-5
PLUG ASSY, KEY D, HVA280-2PHI XE, TOOL ACCESSIBLE	B	1-2103177-4
PLUG ASSY, KEY B, HVA280-2PHI XE, TOOL ACCESSIBLE	B	1-2103177-2
PLUG ASSY, KEY A, HVA280-2PHI XE, TOOL ACCESSIBLE	B	1-2103177-1
PLUG ASSY, KEY G, HVA280-2PHI XE, TOOL ACCESSIBLE WITH CPA	I	2103177-7
PLUG ASSY, KEY F, HVA280-2PHI XE, TOOL ACCESSIBLE WITH CPA	B	2103177-6
PLUG ASSY, KEY E, HVA280-2PHI XE, TOOL ACCESSIBLE WITH CPA	B	2103177-5
PLUG ASSY, KEY D, HVA280-2PHI XE, TOOL ACCESSIBLE WITH CPA	B	2103177-4
PLUG ASSY, KEY B, HVA280-2PHI XE, TOOL ACCESSIBLE WITH CPA	B	2103177-2
PLUG ASSY, KEY A, HVA280-2PHI XE, TOOL ACCESSIBLE WITH CPA	B	2103177-1

DESCRIPTION: PLUG ASSY HVA280-2PHI XE

THIS DRAWING IS A CONTROLLED DOCUMENT.

DIMENSIONS:	TOLERANCES UNLESS OTHERWISE SPECIFIED:	OWN: D SIMPSON 24FEB2011	CHK: A TYLER 24FEB2011	APVD: J ROLEWITZ 24FEB2011
mm	0 PLC ±0.2 1 PLC ±0.10 3 PLC ±0.013 4 PLC ±0.0001 ANGLES ±0.0001	PRODUCT SPEC: 108-2394	APPLICATION SPEC: 114-13259	WEIGHT: -
MATERIAL:	FINISH:	CAGE CODE: A100779	DRAWING NO: C=2103177	RESTRICTED TO: -
CUSTOMER DRAWING		SCALE: 2:1	SHEET 1 OF 1	REV: B3

X-ON Electronics

Largest Supplier of Electrical and Electronic Components

Click to view similar products for [Automotive Connectors](#) category:

Click to view products by [TE Connectivity](#) manufacturer:

Other Similar products are found below :

[003-018-000](#) [60403001](#) [60993906-B](#) [M902-2131](#) [M902-2161](#) [M902-2344](#) [72.330.1035.1](#) [73.353.4028.0](#) [F119300-B](#) [F166900](#) [F258300-B](#)
[F358300-B](#) [F407400](#) [F444110](#) [F487000](#) [F509500B-B](#) [827153-1](#) [8N1515-32-24P](#) [9-1326729-8](#) [925474-1](#) [928905-1](#) [964562-4](#) [968782-1](#)
[GT17SA-8DS-HU](#) [98891-1012](#) [98947-1016](#) [12004147](#) [12004475-L](#) [12010290](#) [12010309-B](#) [12015454](#) [12020219-B](#) [12041318-B](#) [12052225-](#)
[L](#) [12052466](#) [12064869](#) [12004327-B](#) [12015308](#) [12015384](#) [12015909](#) [1-21030-1](#) [12041254](#) [12041318](#) [12047946-B](#) [12047957](#) [12047957-L](#)
[12059473](#) [12066261](#) [12110546](#) [12110546-B](#)