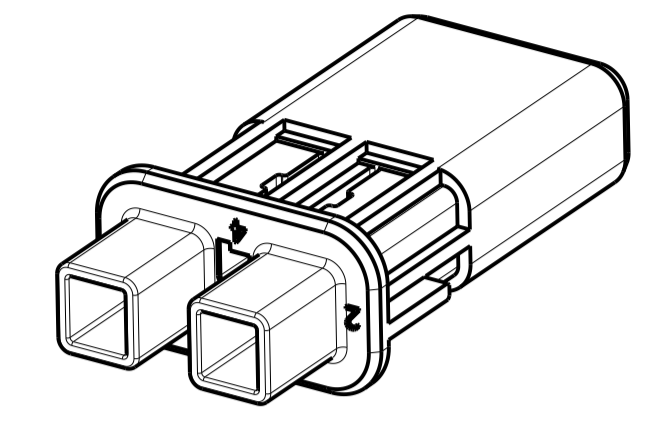
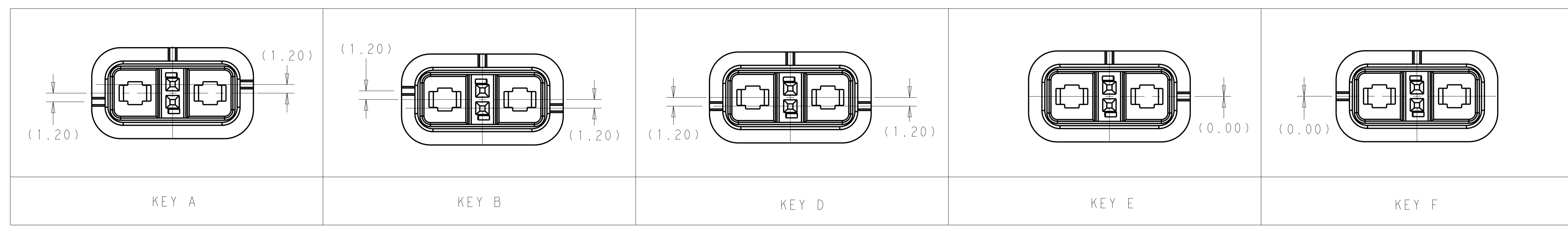
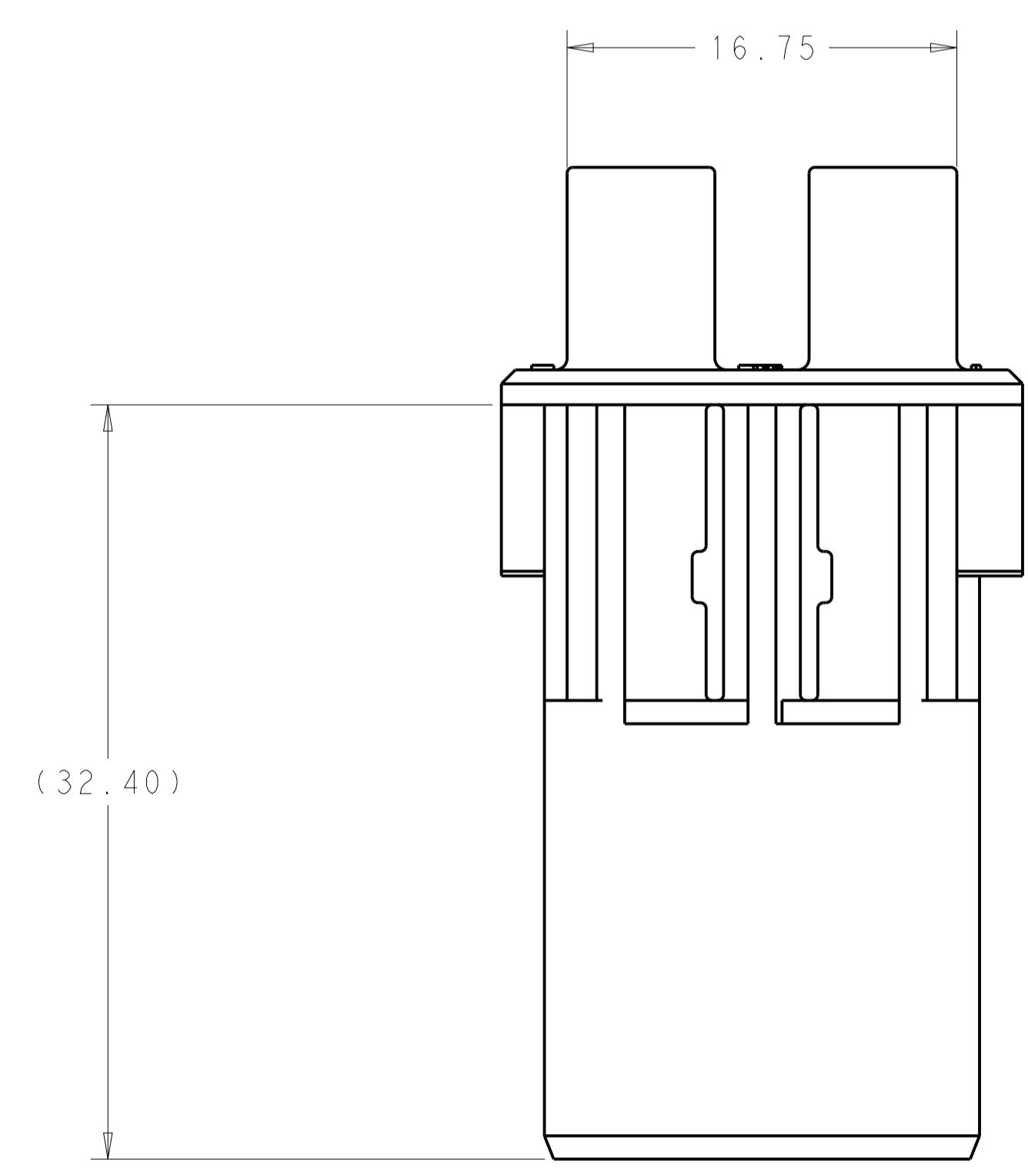
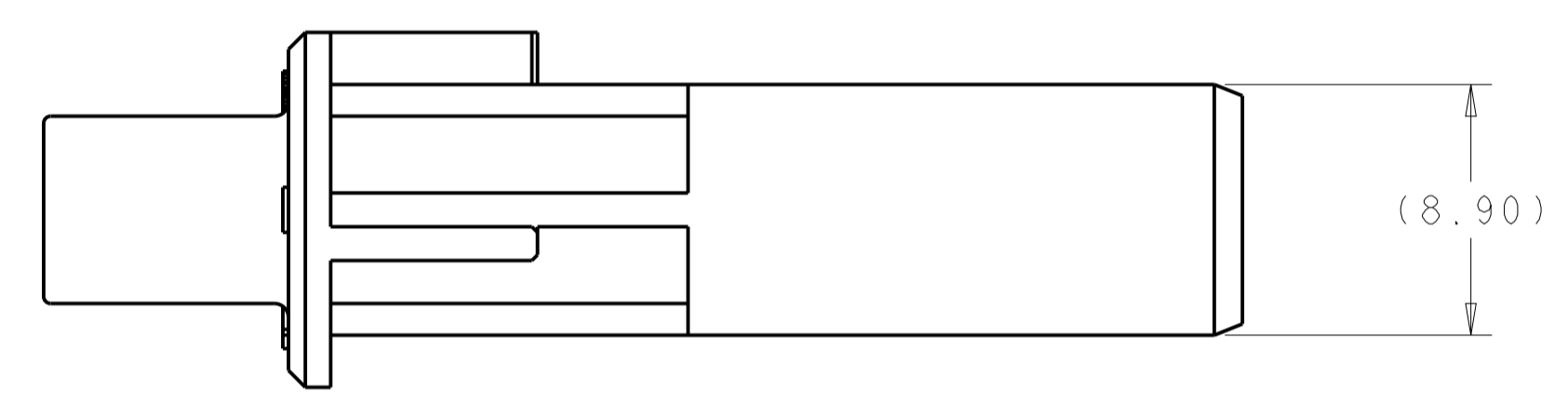
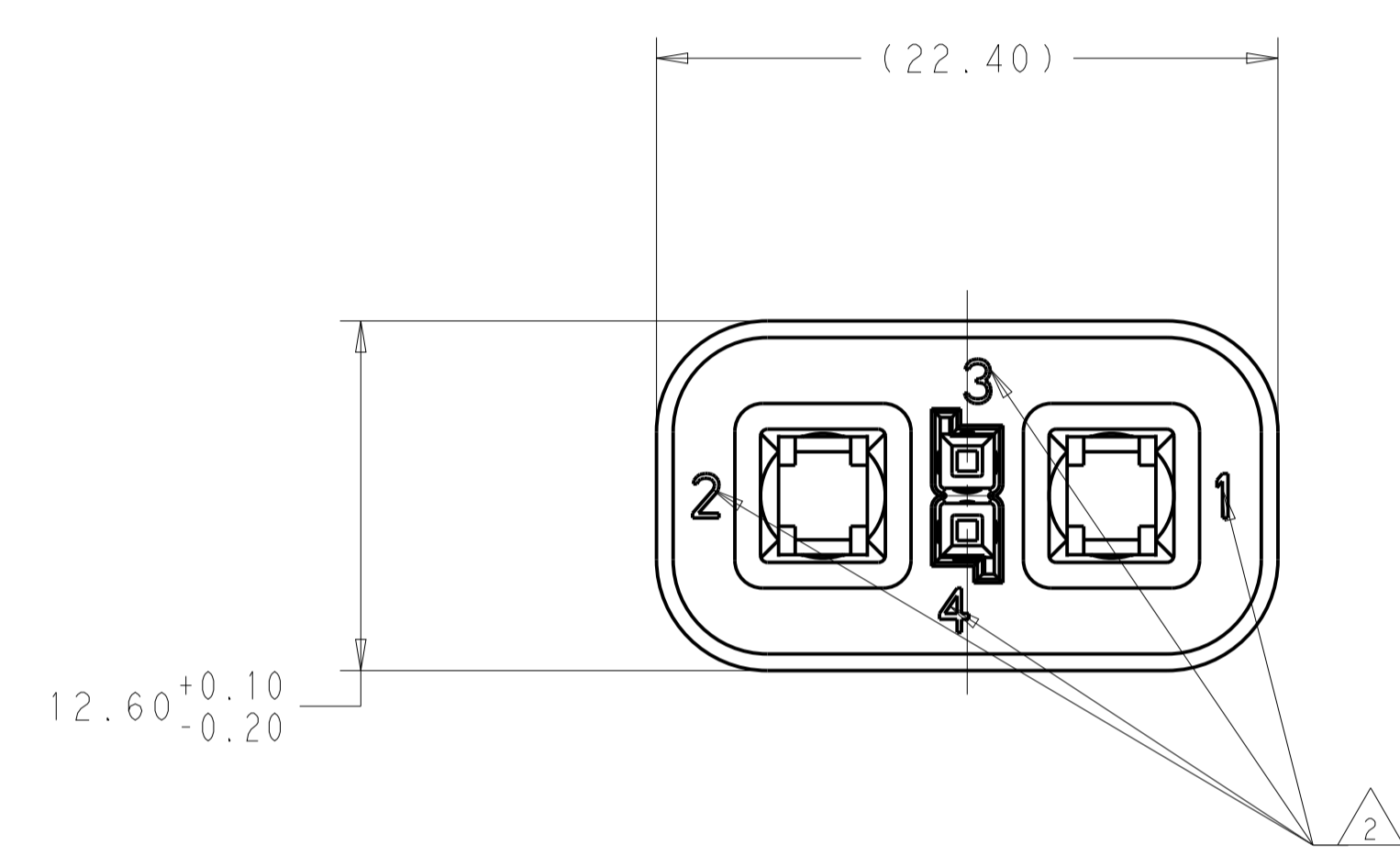
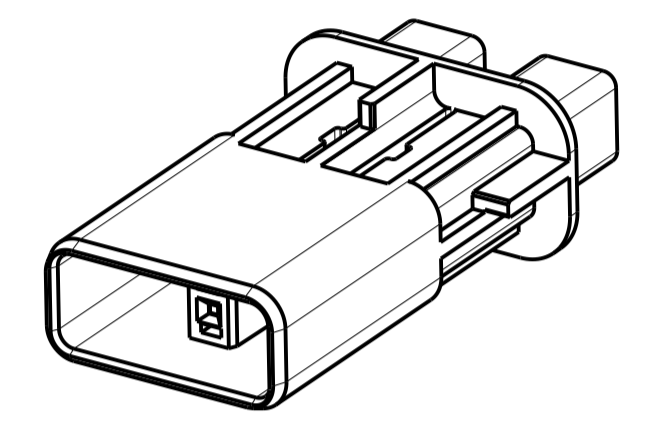


REVISIONS				
P.	LTR.	DESCRIPTION	DATE	APVD
1		INITIAL DRAWING	21MAR2012	AD AD
A		ECO-12-021031	05DEC2012	AD AD
A1		ECO-14-006553	02MAY2014	AD AD



ISOMETRIC VIEWS
SCALE 2:1



⚠ MATERIAL:
TYPE: PA66 33%GF
COLOR: ORANGE

⚠ CIRCUIT ID

INNER HOUSING - KEY F	2103245-6
INNER HOUSING - KEY E	2103245-5
INNER HOUSING - KEY D	2103245-4
INNER HOUSING - KEY B	2103245-2
INNER HOUSING - KEY A	2103245-1
DESCRIPTION	P/N

THIS DRAWING IS A CONTROLLED DOCUMENT.		OWN: A DEHAZAL 21MAR2012	TE Connectivity
		CHK: A DEHAZAL 21MAR2012	
DIMENSIONS:	TOLERANCES UNLESS OTHERWISE SPECIFIED:	APVD: -	NAME: INNER HOUSING, SPLIT HEADER HVA280 2P
mm	0 PLC ±0.15 1 PLC ±0.1 2 PLC ±0.1 3 PLC ±0.05 4 PLC ±0.1	PRODUCT SPEC: -	APPLICATION SPEC: -
	FINISH: -	WEIGHT: -	RESTRICTED TO: -
MATERIAL: -	ANGLES: ±1°	CUSTOMER DRAWING	SIZE: A1 CAGE CODE: 00779 DRAWING NO: 2103245 SCALE: 4:1 SHEET 1 OF 1 REV: A1

X-ON Electronics

Largest Supplier of Electrical and Electronic Components

Click to view similar products for [Automotive Connectors](#) category:

Click to view products by [TE Connectivity](#) manufacturer:

Other Similar products are found below :

[003-018-000](#) [60403001](#) [60993906-B](#) [M902-2131](#) [M902-2161](#) [M902-2344](#) [72.330.1035.1](#) [73.353.4028.0](#) [F119300-B](#) [F166900](#) [F258300-B](#)
[F358300-B](#) [F407400](#) [F444110](#) [F487000](#) [F509500B-B](#) [827153-1](#) [8N1515-32-24P](#) [9-1326729-8](#) [925474-1](#) [928905-1](#) [964562-4](#) [968782-1](#)
[GT17SA-8DS-HU](#) [98891-1012](#) [98947-1016](#) [12004147](#) [12004475-L](#) [12010290](#) [12010309-B](#) [12015454](#) [12020219-B](#) [12041318-B](#) [12052225-](#)
[L](#) [12052466](#) [12064869](#) [12004327-B](#) [12015308](#) [12015384](#) [12015909](#) [1-21030-1](#) [12041254](#) [12041318](#) [12047946-B](#) [12047957](#) [12047957-L](#)
[12059473](#) [12066261](#) [12110546](#) [12110546-B](#)