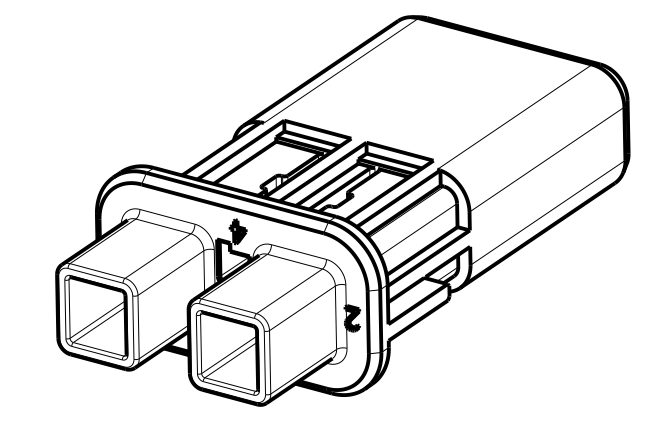
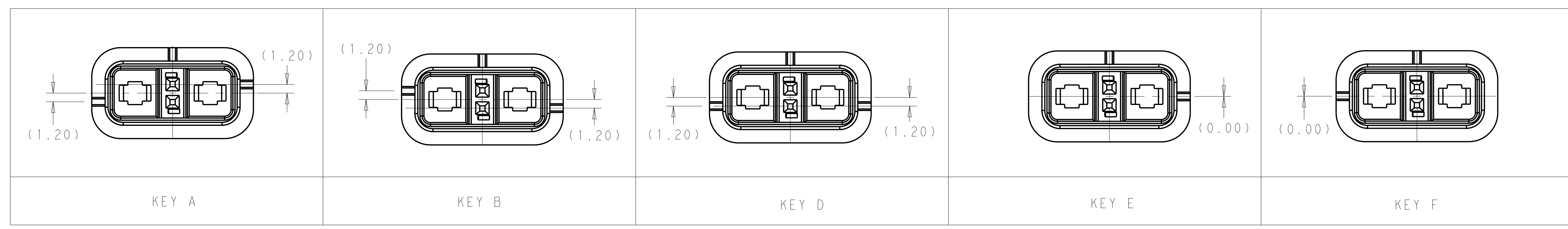
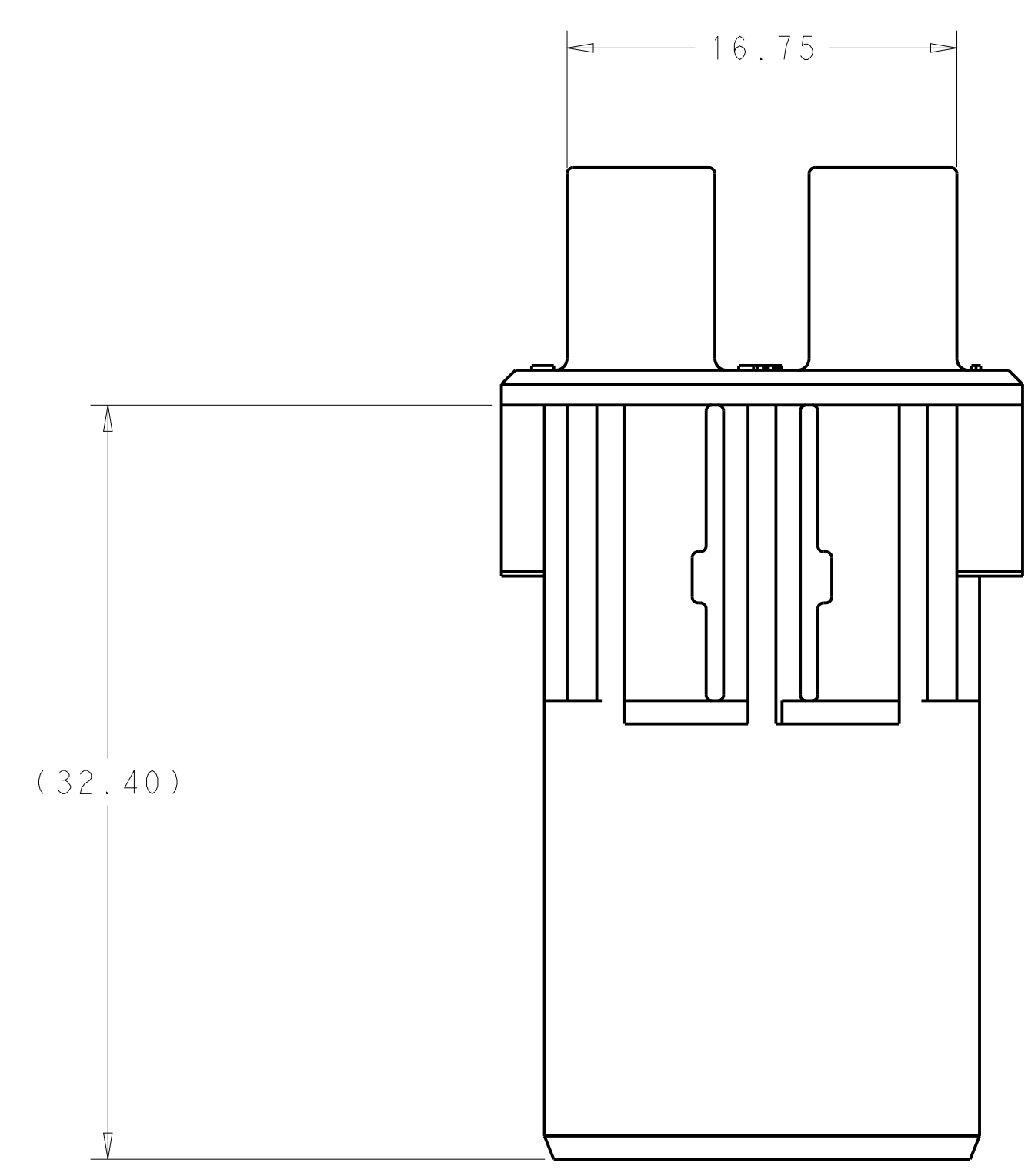
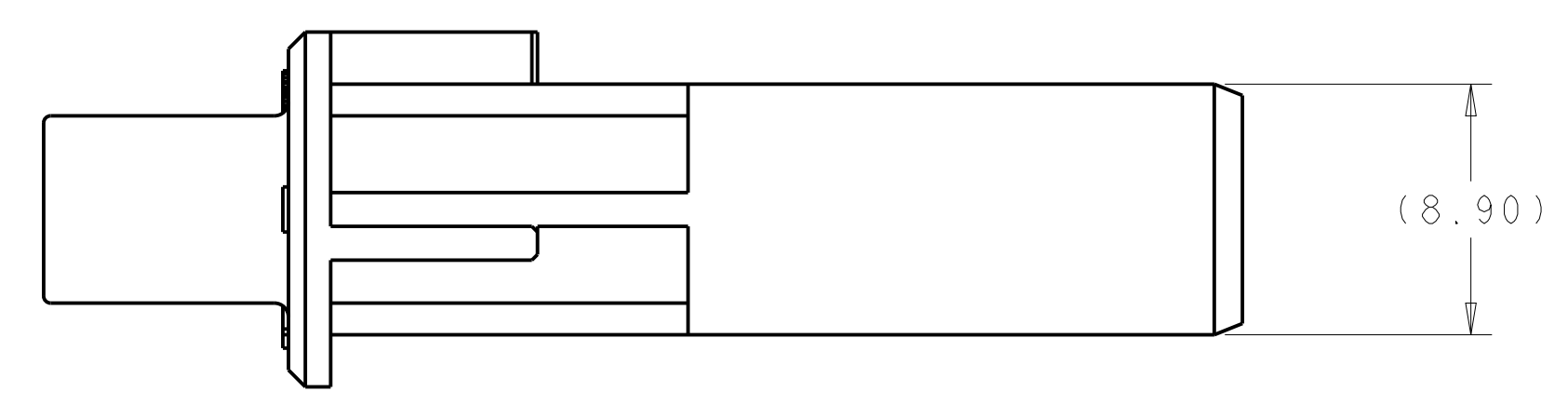
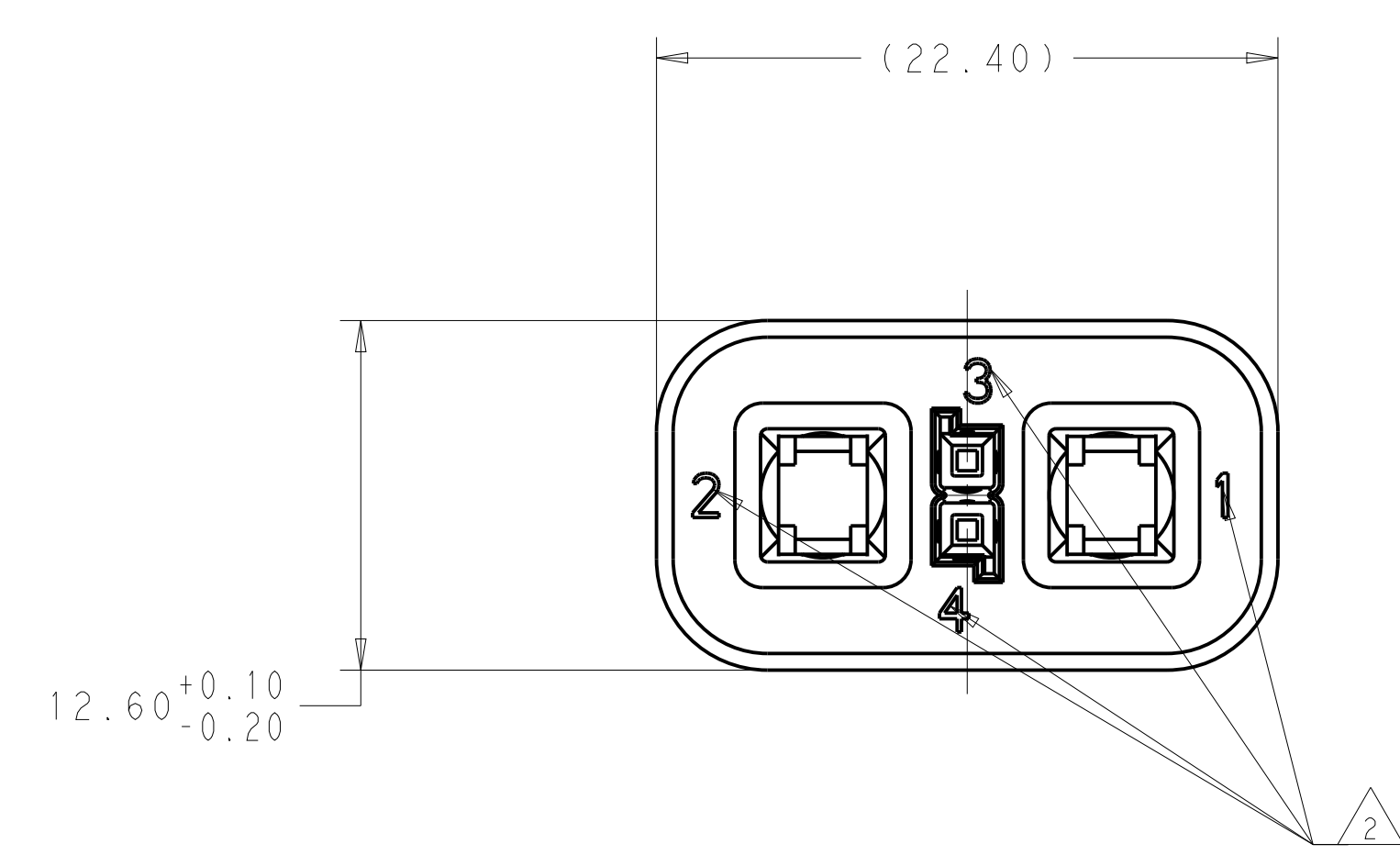
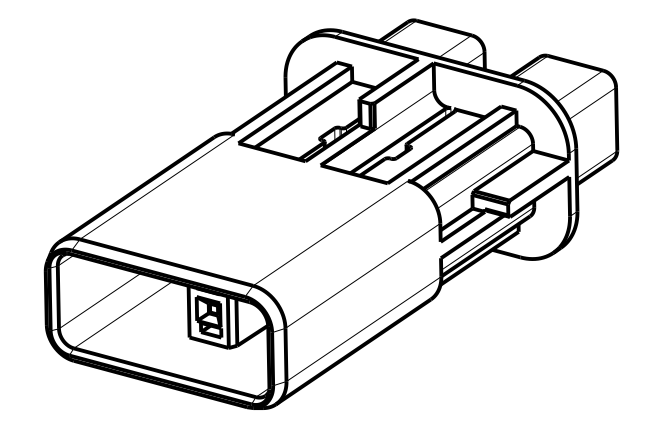


REVISIONS				
P.	LTR.	DESCRIPTION	DATE	APVD
1		INITIAL DRAWING	21MAR2012	AD AD
A		ECO-12-021031	05DEC2012	AD AD
A1		ECO-14-006553	02MAY2014	AD AD



ISOMETRIC VIEWS  
SCALE 2:1



⚠ MATERIAL:  
TYPE: PA66 33%GF  
COLOR: ORANGE

⚠ CIRCUIT ID

INNER HOUSING - KEY F	2103245-6
INNER HOUSING - KEY E	2103245-5
INNER HOUSING - KEY D	2103245-4
INNER HOUSING - KEY B	2103245-2
INNER HOUSING - KEY A	2103245-1
DESCRIPTION	P/N

THIS DRAWING IS A CONTROLLED DOCUMENT.		OWN: A DEHAZAL 21MAR2012	TE Connectivity
		CHK: A DEHAZAL 21MAR2012	
DIMENSIONS:	TOLERANCES UNLESS OTHERWISE SPECIFIED:	APVD: -	NAME: INNER HOUSING, SPLIT HEADER
mm	0 PLC ±0.15	PRODUCT SPEC: -	HVA280 2P
	1 PLC ±0.1	APPLICATION SPEC: -	SIZE: CAGE CODE DRAWING NO: A100779C=2103245
	2 PLC ±0.05	WEIGHT: -	RESTRICTED TO: -
	3 PLC ±0.05	CUSTOMER DRAWING	SCALE: 4:1 SHEET 1 OF 1 REV: A1
	4 PLC ±0.05		
	ANGLES ±1°		
MATERIAL: ⚠	FINISH: -		

## X-ON Electronics

Largest Supplier of Electrical and Electronic Components

*Click to view similar products for [Automotive Connectors](#) category:*

*Click to view products by [TE Connectivity](#) manufacturer:*

Other Similar products are found below :

[003-018-000](#) [60403001](#) [60993906-B](#) [M902-2131](#) [M902-2161](#) [M902-2344](#) [72.330.1035.1](#) [73.353.4028.0](#) [F119300-B](#) [F166900](#) [F258300-B](#)  
[F358300-B](#) [F407400](#) [F444110](#) [F487000](#) [F509500B-B](#) [827153-1](#) [8N1515-32-24P](#) [9-1326729-8](#) [925474-1](#) [928905-1](#) [964562-4](#) [968782-1](#)  
[GT17SA-8DS-HU](#) [98891-1012](#) [98947-1016](#) [12004147](#) [12004475-L](#) [12010290](#) [12015454](#) [12020219-B](#) [12041318-B](#) [12052225-L](#) [12052466](#)  
[12064869](#) [12004327-B](#) [12015308](#) [12015384](#) [12015909](#) [1-21030-1](#) [12041254](#) [12041318](#) [12047946-B](#) [12047957](#) [12047957-L](#) [12059473](#)  
[12066261](#) [12110546](#) [12110546-B](#) [12131792](#)