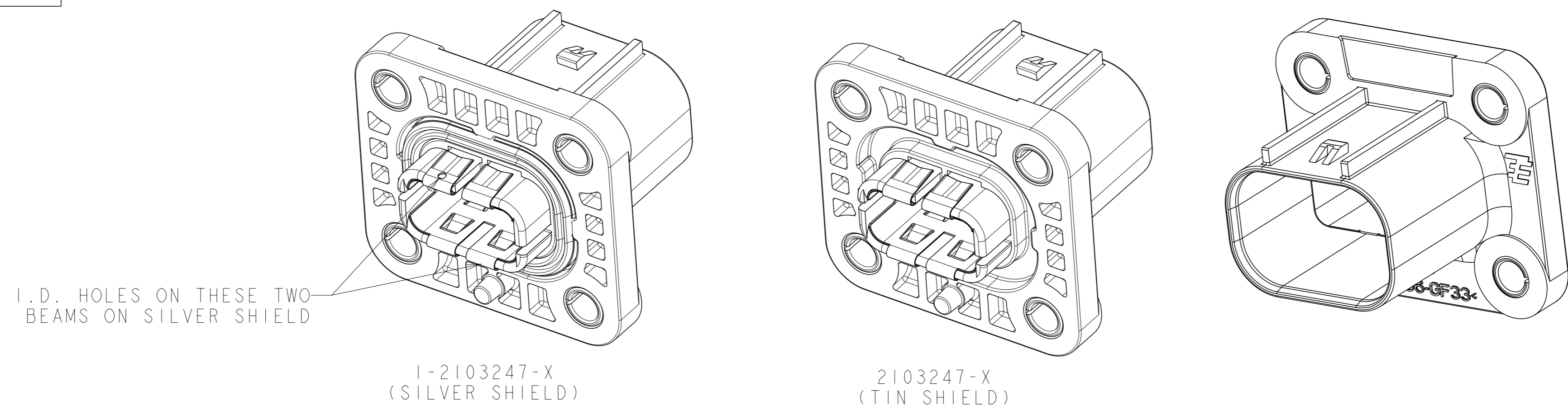


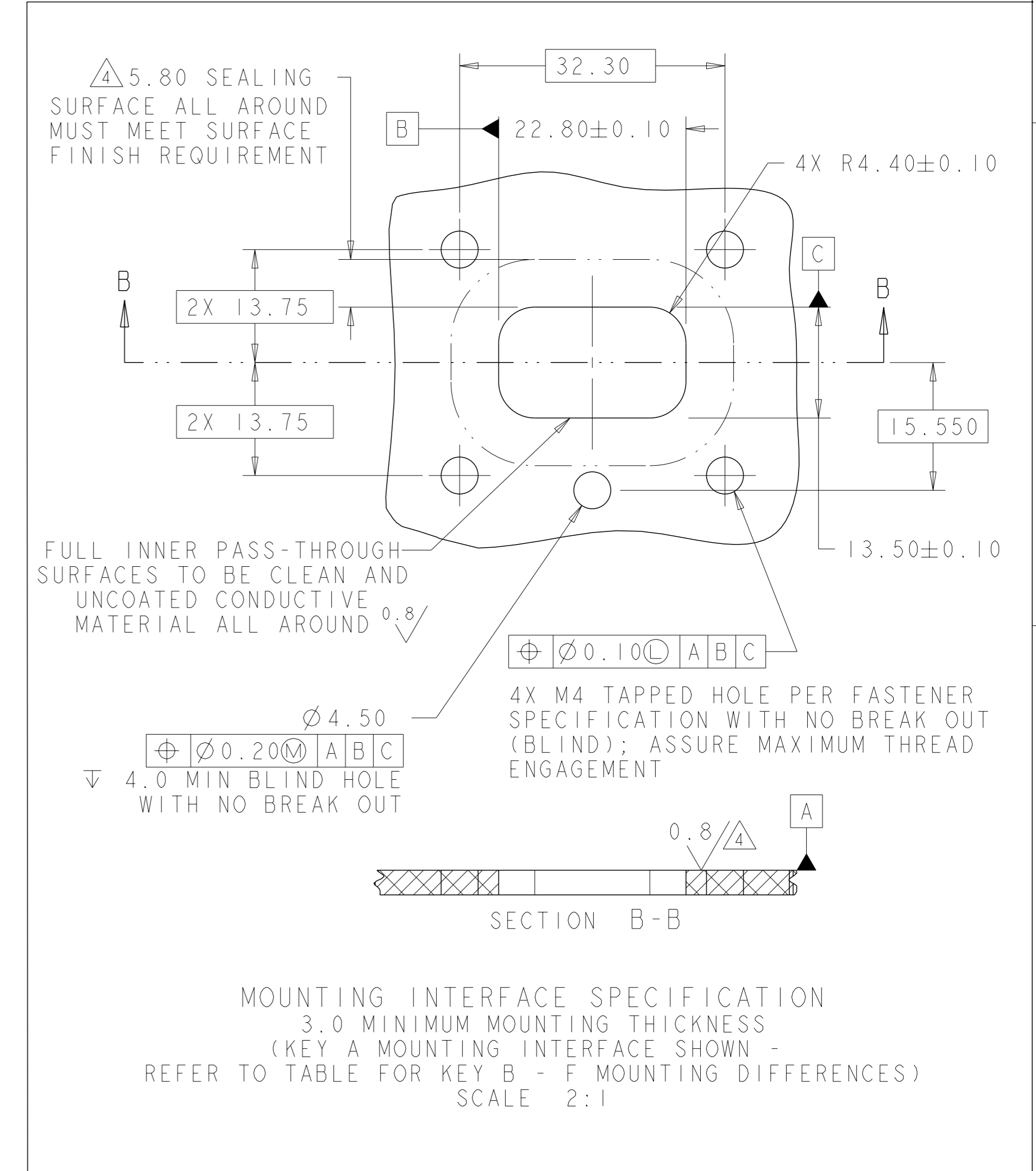
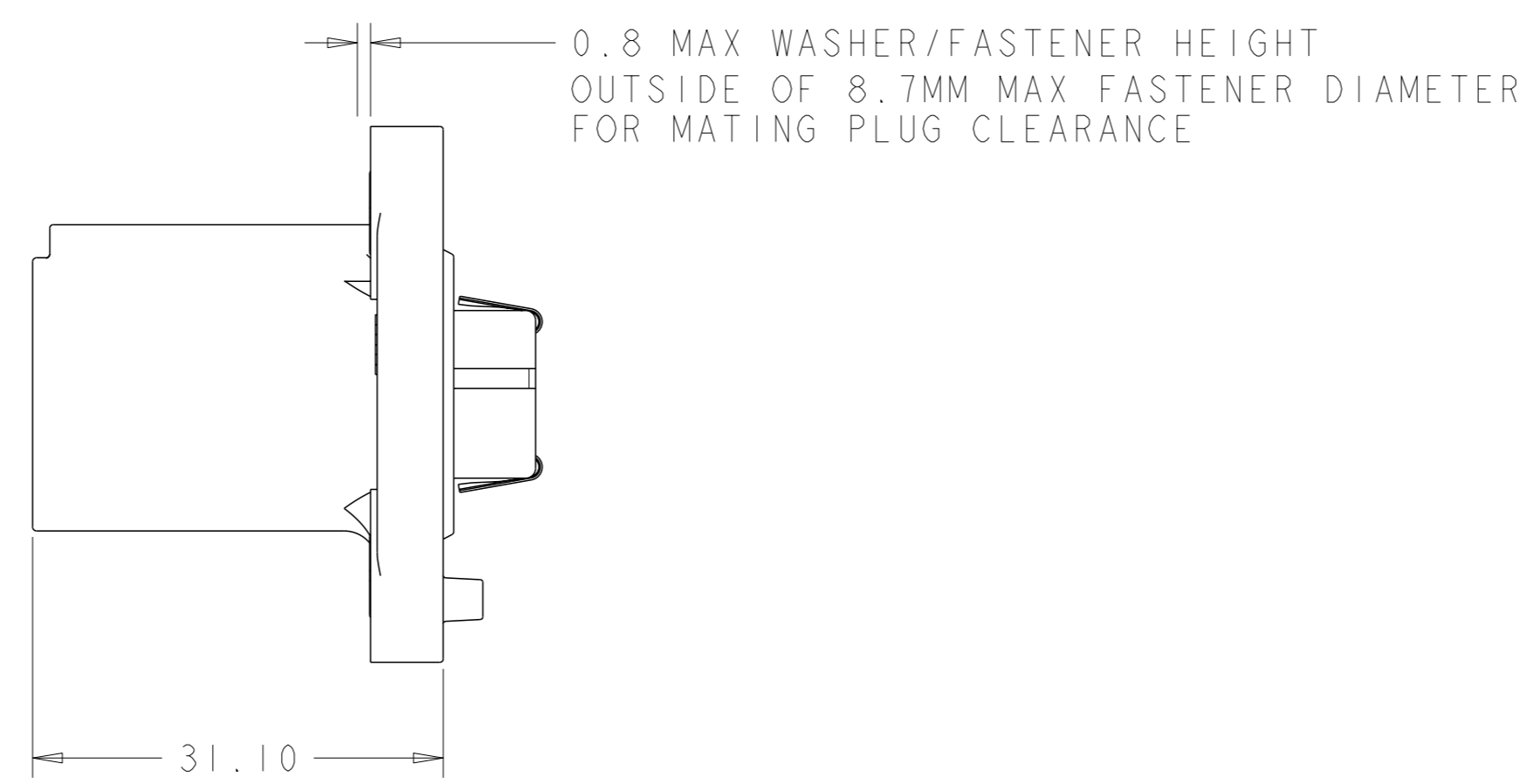
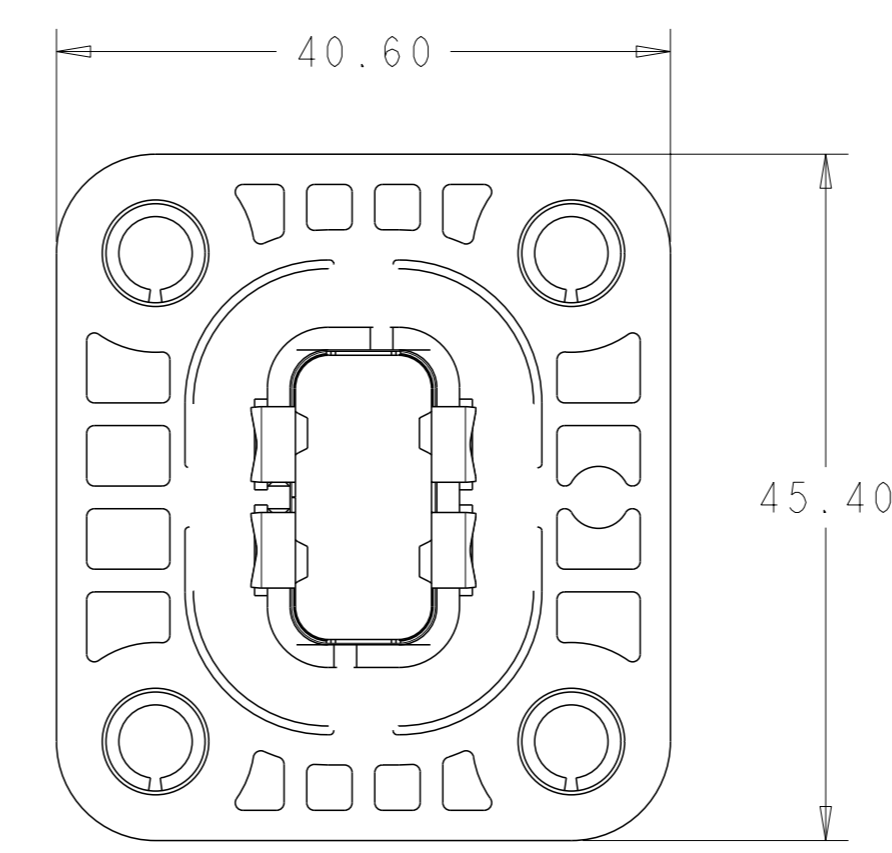
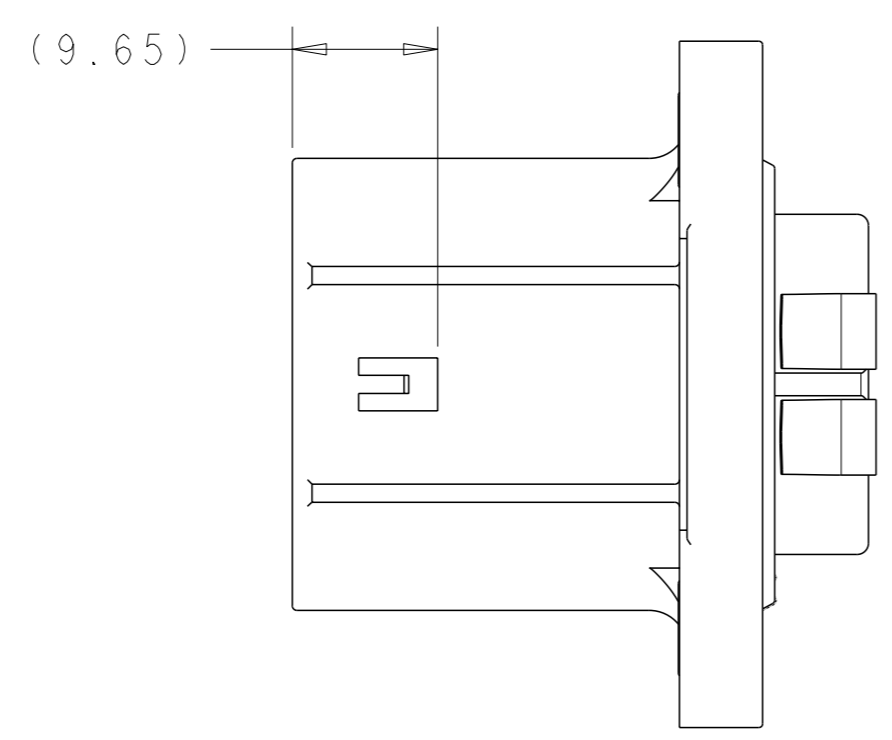
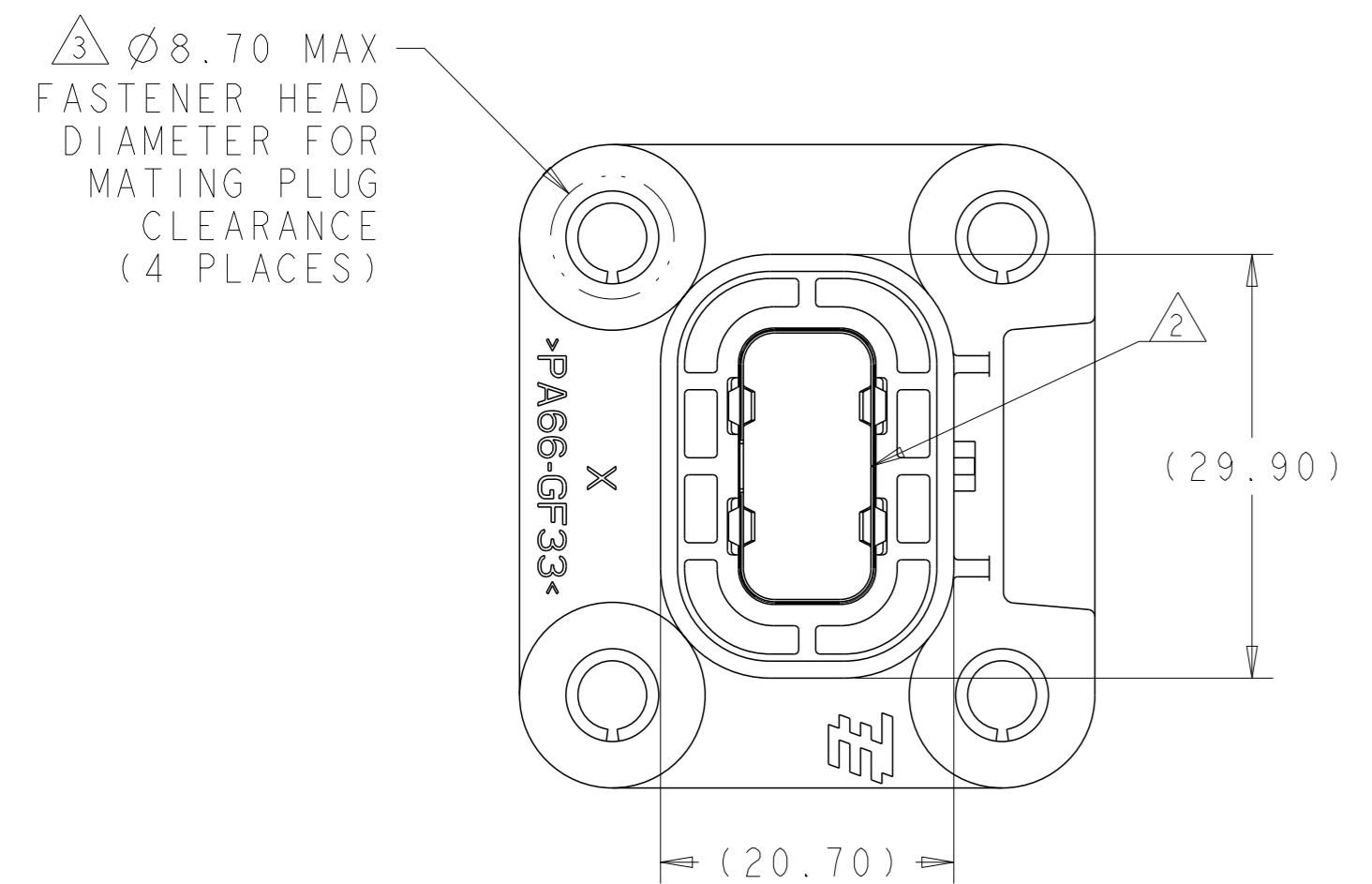
REVISIONS					
P	LT#	DESCRIPTION	DATE	OWN	APVD
A1		ECR-13-012661	08AUG2013	TD	TD
A2		ECO-15-016378	12NOV2015	DS	YS



I.D. HOLES ON THESE TWO BEAMS ON SILVER SHIELD

1-2103247-X (SILVER SHIELD)

2103247-X (TIN SHIELD)



MOUNTING INTERFACE SPECIFICATION
 3.0 MINIMUM MOUNTING THICKNESS
 (KEY A MOUNTING INTERFACE SHOWN - REFER TO TABLE FOR KEY B - F MOUNTING DIFFERENCES)
 SCALE 2:1

- 1 IDENTIFICATION MARKING ON THIS SURFACE CONTAINS ASSEMBLY P/N AND DATE CODE (YYDD). TEXT ORIENTATION, SIZE, AND LOCATION CAN VARY AS LONG AS TEXT IS ON SURFACE SHOWN AND READABLE.
- 2 SHIELD SEAM CAN BE POSITIONED AS SHOWN OR ROTATED 180° FROM POSITION SHOWN.
- 3 THESE DIMENSIONS DEFINE FASTENER SIZE LIMITS FOR PROPER COMPONENT FUNCTIONALITY. END USER MUST ENSURE FASTENER AND/OR WASHER DIAMETER IS 8.6 MM MIN FOR PROPER RETENTION. THESE ARE NOT PRODUCT FEATURES - NO INSPECTION REQUIRED FOR THESE ITEMS.
- 4 SURFACE FINISH APPLIES IN THIS AREA
- 5 NOTE DELETED

SHIELD FINISH	INDEX	PART NO
SILVER	F	1-2103247-6
SILVER	E	1-2103247-5
SILVER	D	1-2103247-4
SILVER	B	1-2103247-2
SILVER	A	1-2103247-1
TIN	F	2103247-6
TIN	E	2103247-5
TIN	D	2103247-4
TIN	B	2103247-2
TIN	A	2103247-1

THIS DRAWING IS A CONTROLLED DOCUMENT.

OWN	A DEHAZAL	ZOMAR2012
CHK	A DEHAZAL	ZOMAR2012
APVD	A DEHAZAL	ZOMAR2012

TOLERANCES UNLESS OTHERWISE SPECIFIED:

mm	0 PLC	±0.50
	1 PLC	±0.50
	2 PLC	±0.15
	3 PLC	±0.05
	4 PLC	±
	ANGLES	±3

MATERIAL: - FINISH: - WEIGHT: -

CUSTOMER DRAWING

SCALE 2:1 SHEET 1 OF 2 REV A2

TE Connectivity

NAME SPLIT HEADER ASSY, HVA 280 2P W/HVIL - PLASTIC CHART DRAWING

SIZE CAGE CODE DRAWING NO. RESTRICTED TO

A1 00779C=2103247

REVISIONS				
#	DATE	DESCRIPTION	DATE	APPV
-	-	SEE SHEET 1	-	-

	X-2103247-1 (KEY A)	X-2103247-2 (KEY B)	X-2103247-4 (KEY D)	X-2103247-5 (KEY E)	X-2103247-6 (KEY F)
FRONT VIEW					
SIDE VIEW					
REAR VIEW					
INTERFACE VIEW - MOUNTING SIDE					
	KEY A MOUNTING INTERFACE	KEY B MOUNTING INTERFACE	KEY D MOUNTING INTERFACE	KEY E MOUNTING INTERFACE	KEY F MOUNTING INTERFACE

THIS DRAWING IS A CONTROLLED DOCUMENT.

OWN	A DEHAZAL	ZOMAR2012
CHK	A DEHAZAL	ZOMAR2012
APPV	A DEHAZAL	ZOMAR2012

STE TE Connectivity

NAME: SPLIT HEADER ASSY, HVA 280 2P
 W/HVIL - PLASTIC
 CHART DRAWING

SIZE: A1 CAGE CODE: 100779 DRAWING NO: 2103247

MATERIAL: - FINISH: - WEIGHT: -

CUSTOMER DRAWING

SCALE: 2:1 SHEET 2 OF 2 REV: A2

X-ON Electronics

Largest Supplier of Electrical and Electronic Components

Click to view similar products for [Automotive Connectors](#) category:

Click to view products by [TE Connectivity](#) manufacturer:

Other Similar products are found below :

[003-018-000](#) [60403001](#) [60993906-B](#) [M902-2131](#) [M902-2161](#) [M902-2344](#) [72.330.1035.1](#) [73.353.4028.0](#) [F119300-B](#) [F166900](#) [F258300-B](#)
[F358300-B](#) [F407400](#) [F444110](#) [F487000](#) [F509500B-B](#) [827153-1](#) [8N1515-32-24P](#) [9-1326729-8](#) [925474-1](#) [928905-1](#) [964562-4](#) [968782-1](#)
[GT17SA-8DS-HU](#) [98891-1012](#) [98947-1016](#) [12004147](#) [12004475-L](#) [12010290](#) [12010309-B](#) [12015454](#) [12020219-B](#) [12041318-B](#) [12052225-](#)
[L](#) [12052466](#) [12064869](#) [12004327-B](#) [12015308](#) [12015384](#) [12015909](#) [1-21030-1](#) [12041254](#) [12041318](#) [12047946-B](#) [12047957](#) [12047957-L](#)
[12059473](#) [12066261](#) [12110546](#) [12110546-B](#)