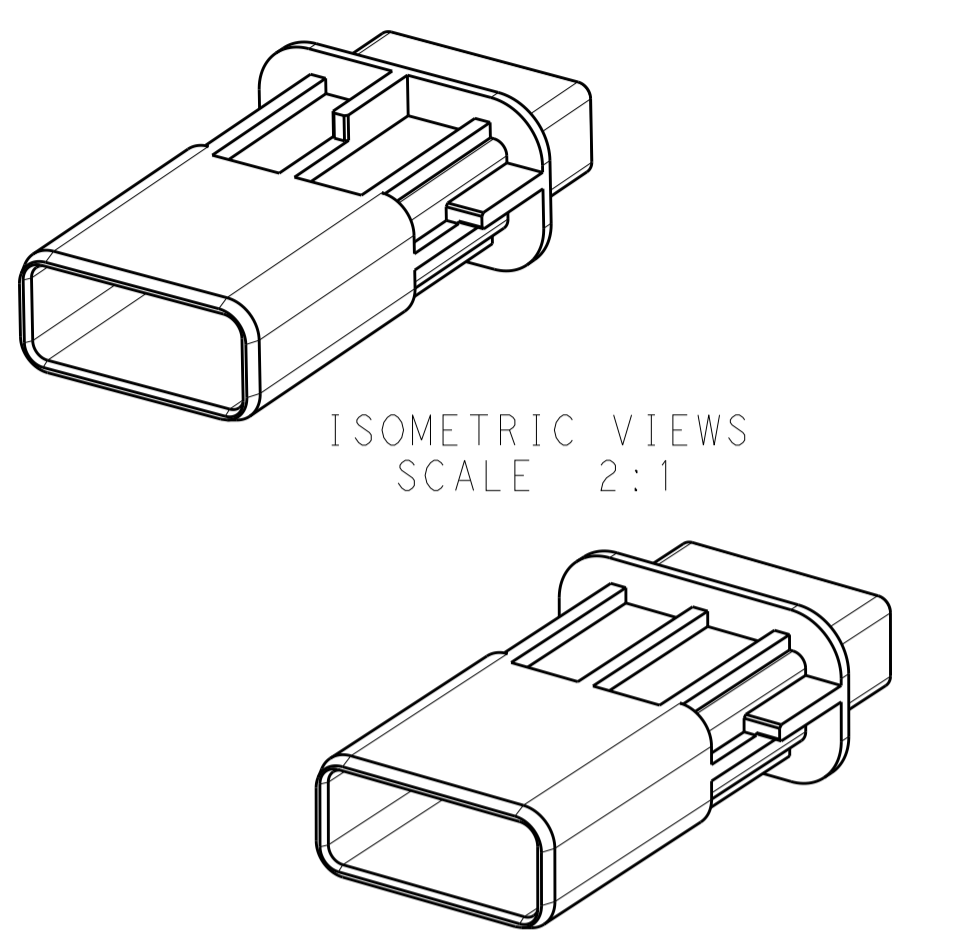
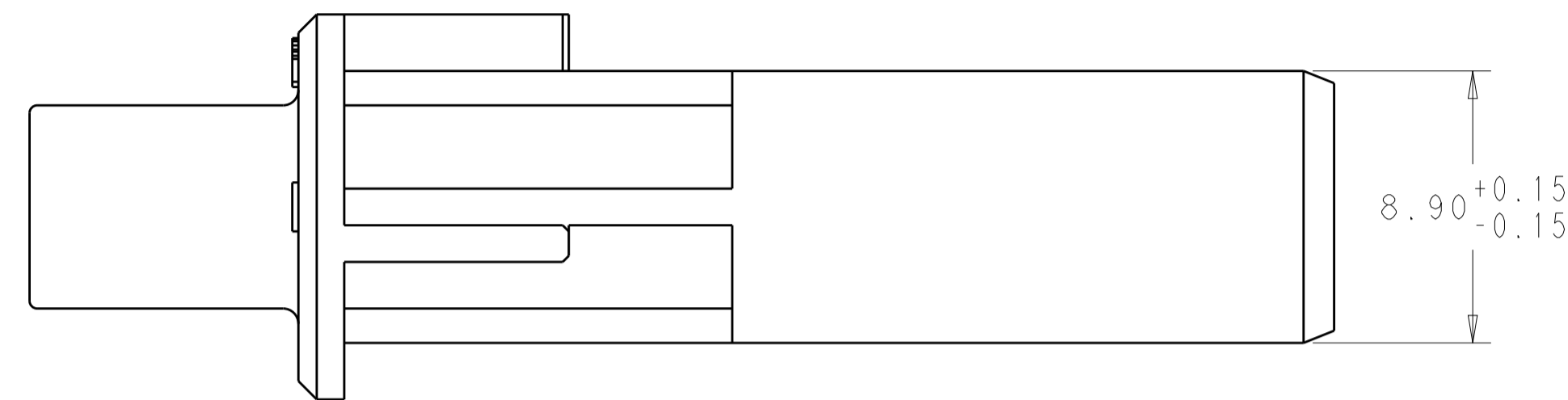
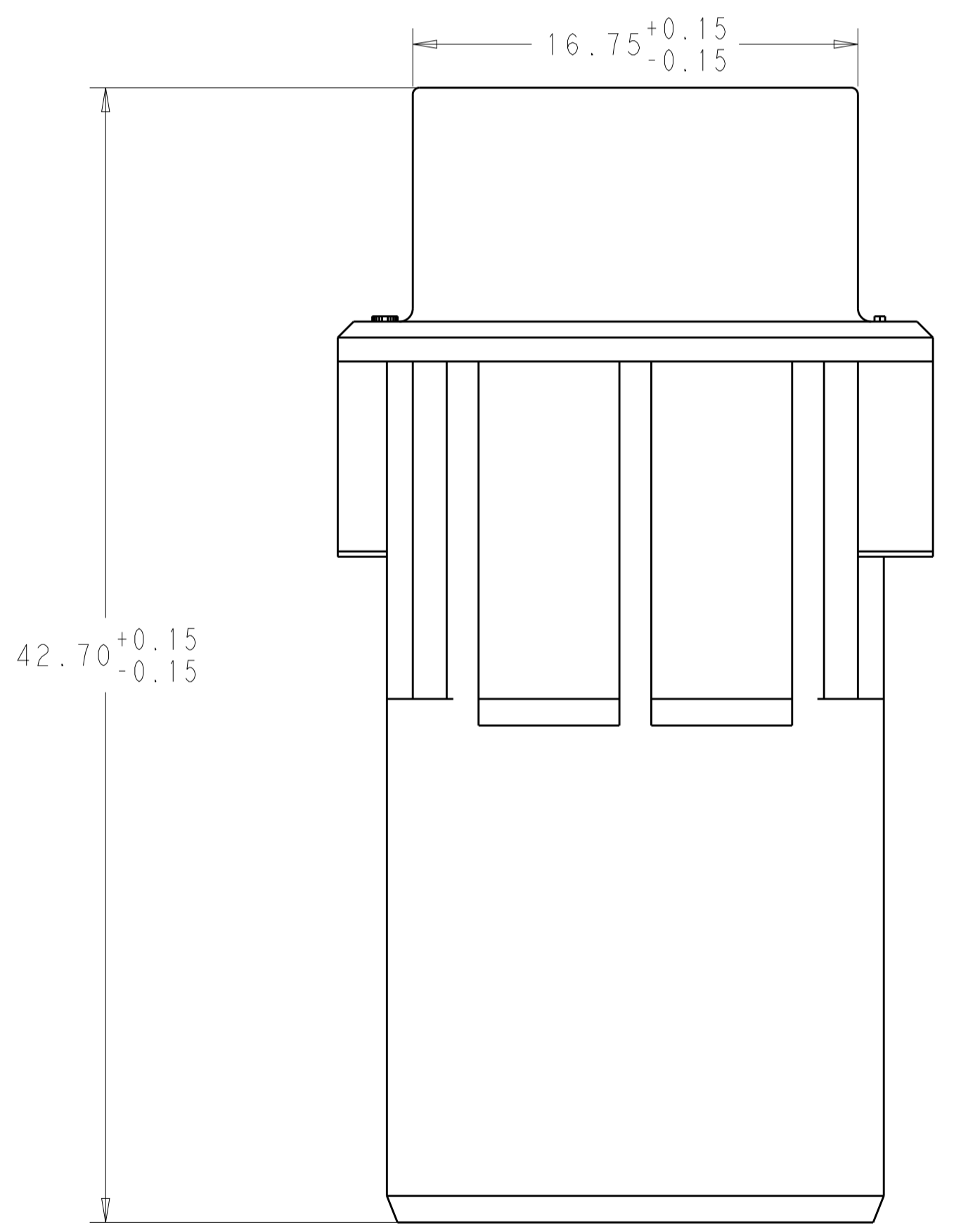
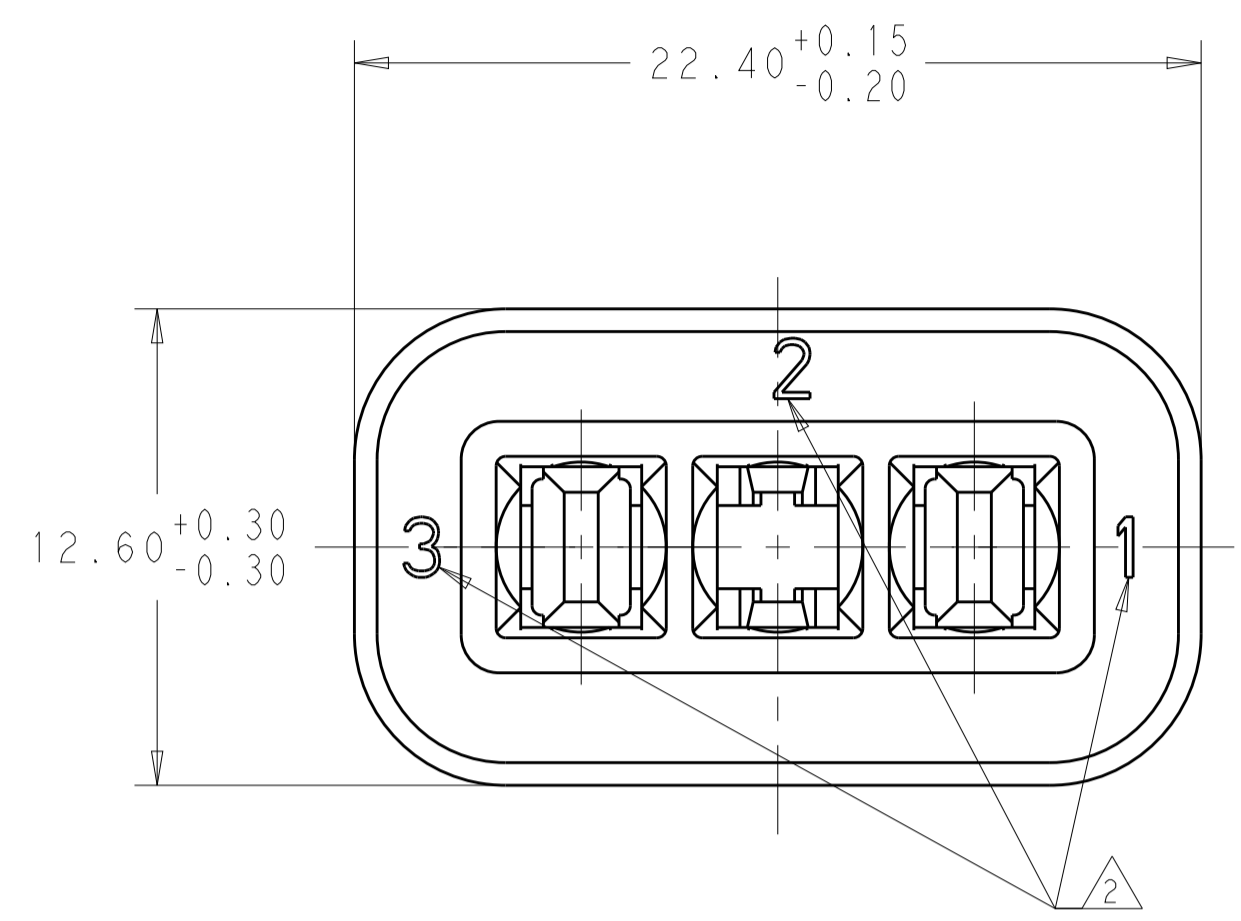
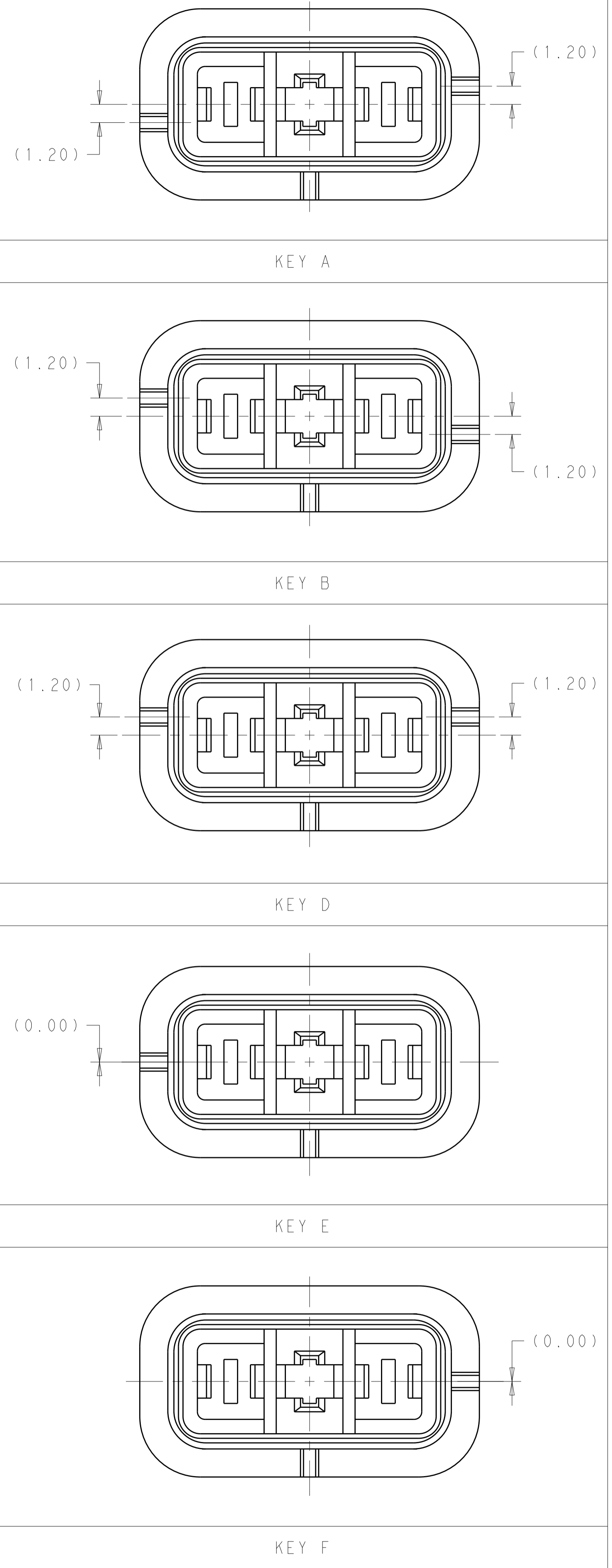


REVISIONS				
P.	LTN	DESCRIPTION	DATE	APVD
A		MODIFIED PER ECR-13-017811	25OCT2013	TD TD
A1		MODIFIED PER ECR-14-018094	15APR2015	SR TD



- 1. MATERIAL:
TYPE: PA66 33%GF HEAT STABILIZED
COLOR: ORANGE
- 2. CIRCUIT I.D CHARACTERS RAISED AS SHOWN.
- 3. NOTE DELETED

DESCRIPTION	PART NUMBER
INNER HOUSING - KEY F	2103321-6
INNER HOUSING - KEY E	2103321-5
INNER HOUSING - KEY D	2103321-4
INNER HOUSING - KEY B	2103321-2
INNER HOUSING - KEY A	2103321-1

THIS DRAWING IS A CONTROLLED DOCUMENT.		OWN R. SANTHOSH 13JUL2012	TE Connectivity	
DIMENSIONS: mm		CHK T. DEWILTE 13JUL2012	NAME HOUSING INNER HEADER, HVA280 3PX	
TOLERANCES UNLESS OTHERWISE SPECIFIED:		APVD T. DEWILTE 13JUL2012	SIZE CAGE CODE DRAWING NO	
0 PLC ±	1 PLC ±0.15	PRODUCT SPEC	RESTRICTED TO	
2 PLC ±0.1	3 PLC ±0.05	APPLICATION SPEC	A100779C=2103321	
4 PLC ±	ANGLES ±1°	WEIGHT 3.58g	SCALE 5:1 SHEET 1 OF 1 REV A1	
MATERIAL SEE NOTE 1	FINISH	Customer Drawing		

X-ON Electronics

Largest Supplier of Electrical and Electronic Components

Click to view similar products for [Automotive Connectors](#) category:

Click to view products by [TE Connectivity](#) manufacturer:

Other Similar products are found below :

[003-018-000](#) [60403001](#) [60993906-B](#) [M902-2131](#) [M902-2161](#) [72.330.1035.1](#) [73.353.4028.0](#) [F119300-B](#) [F166900](#) [F258300-B](#) [F358300-B](#)
[F407400](#) [F444110](#) [F487000](#) [F509500B-B](#) [827153-1](#) [8N1515-32-24P](#) [9-1326729-8](#) [925474-1](#) [928905-1](#) [964562-4](#) [968782-1](#) [GT17SA-8DS-](#)
[HU](#) [98891-1012](#) [98947-1016](#) [12004147](#) [12004475-L](#) [12010290](#) [12010309-B](#) [12015454](#) [12020219-B](#) [12020308](#) [12041318-B](#) [12052225-L](#)
[12052466](#) [12059125](#) [12064869](#) [12004327-B](#) [12010503-B](#) [12015308](#) [12015384](#) [12015909](#) [1-21030-1](#) [12041254](#) [12041318](#) [12047946-B](#)
[12047957](#) [12047957-L](#) [12059473](#) [12066261](#)