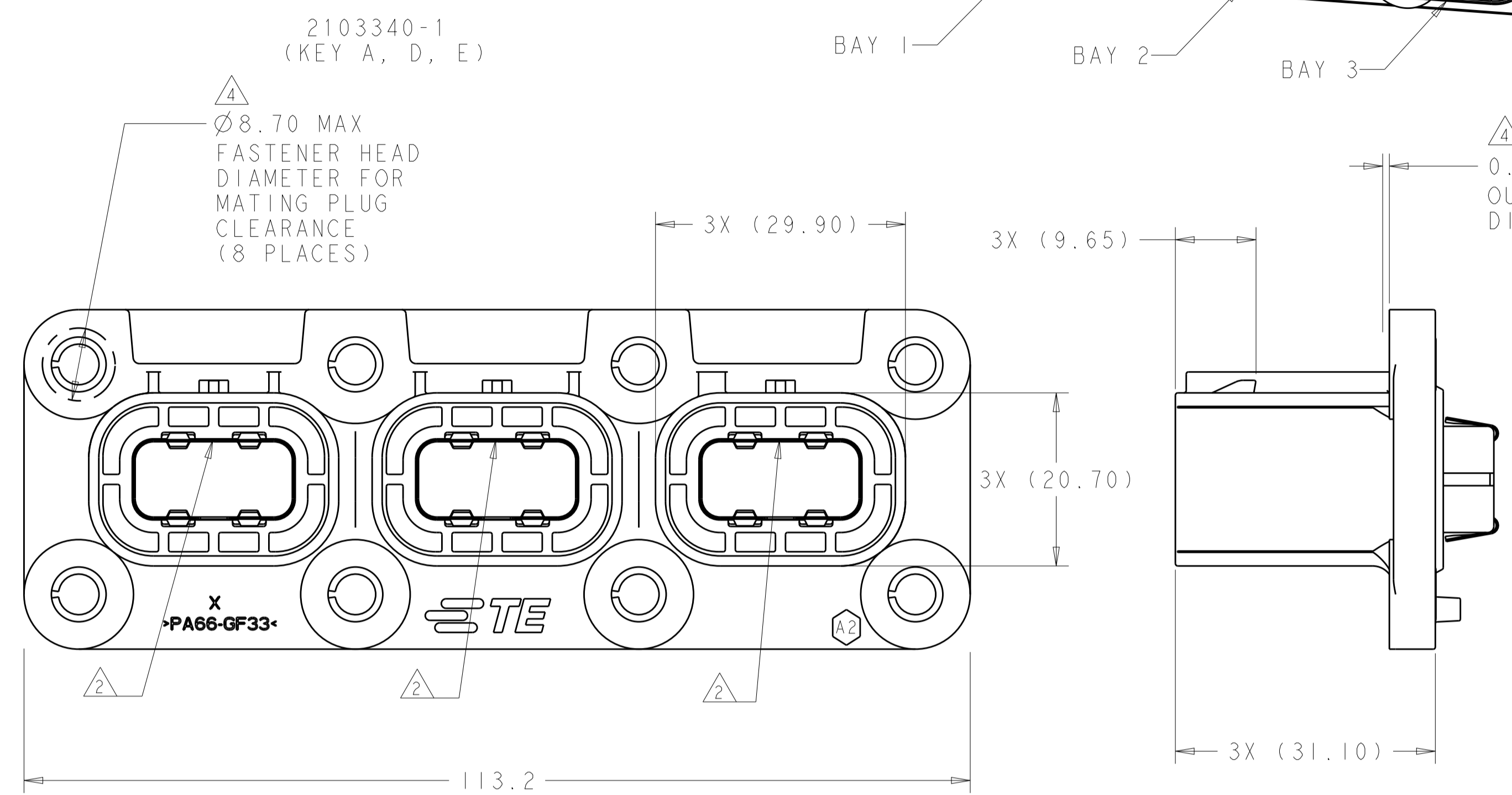
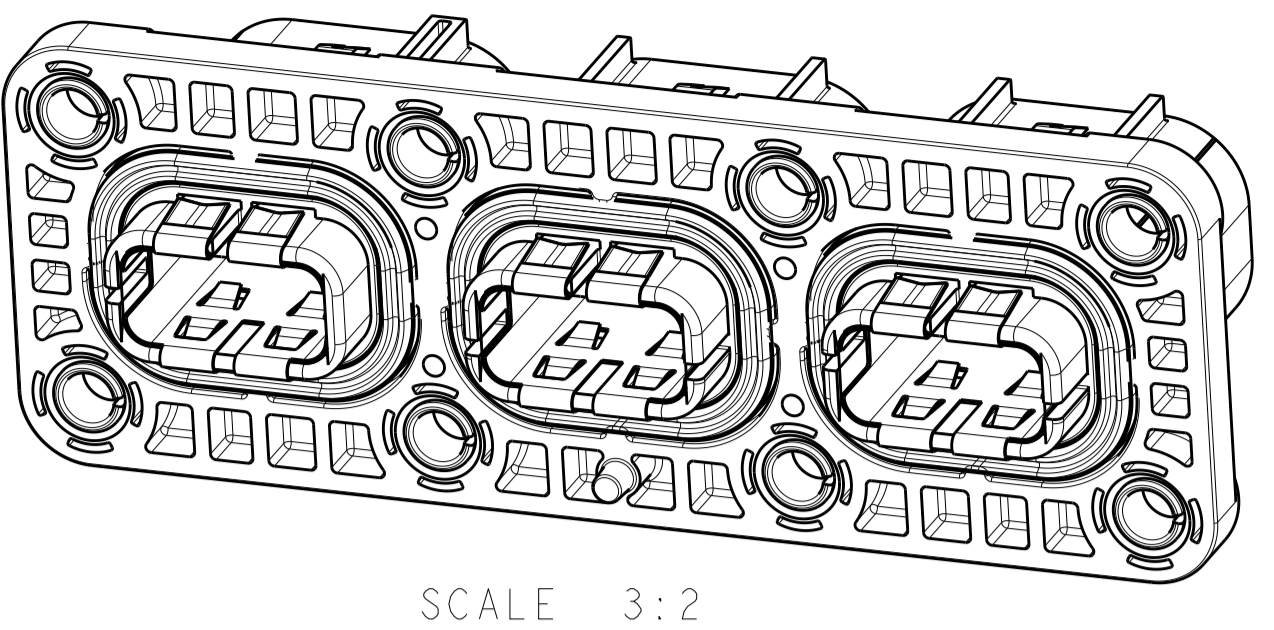
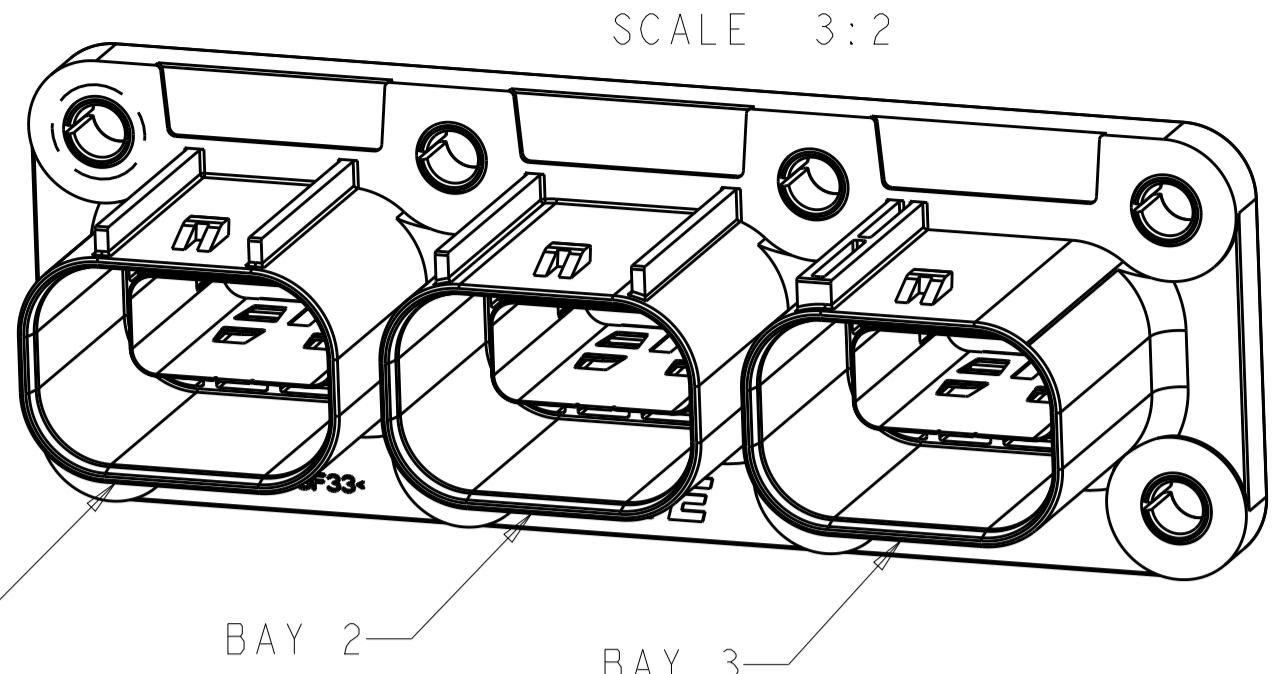
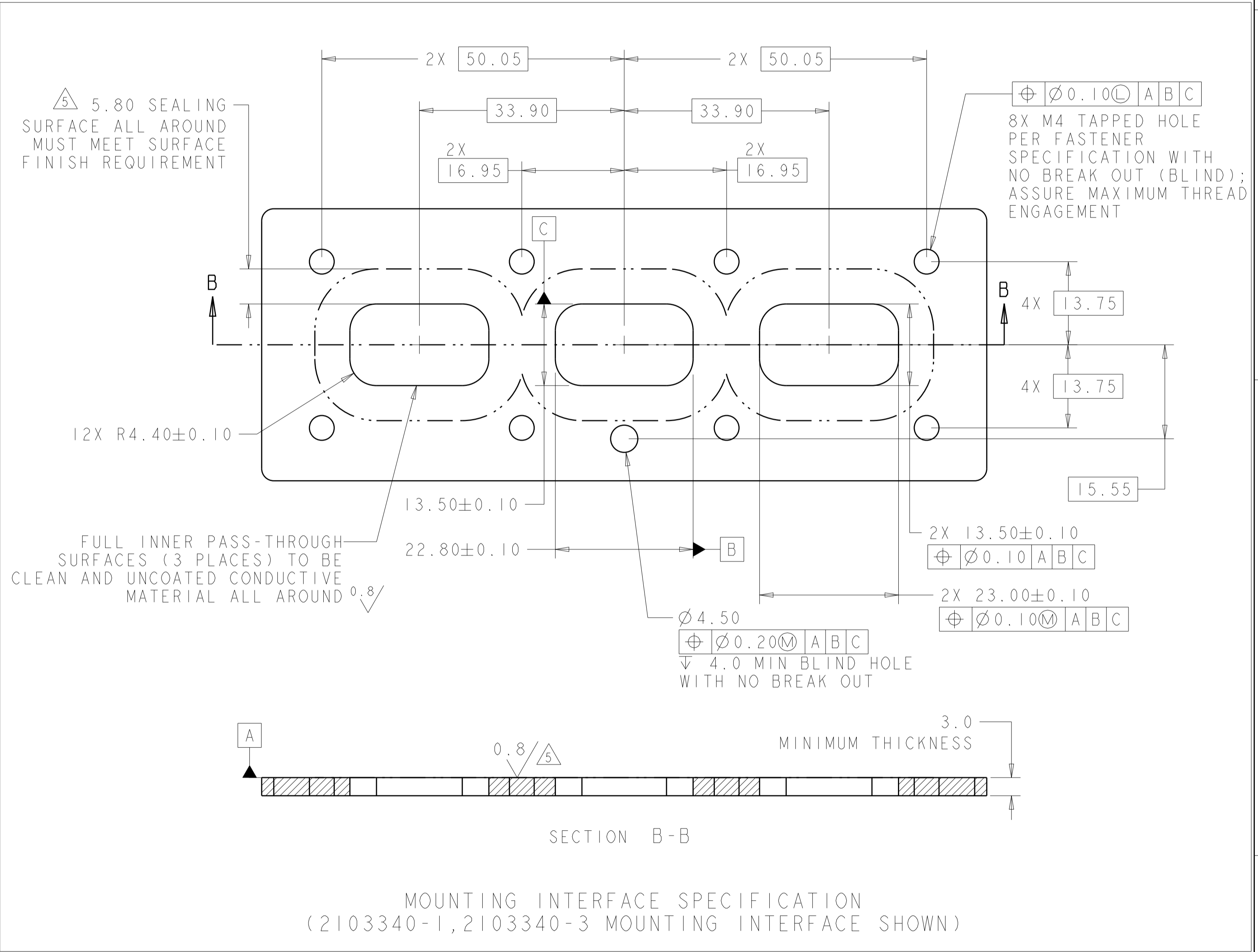


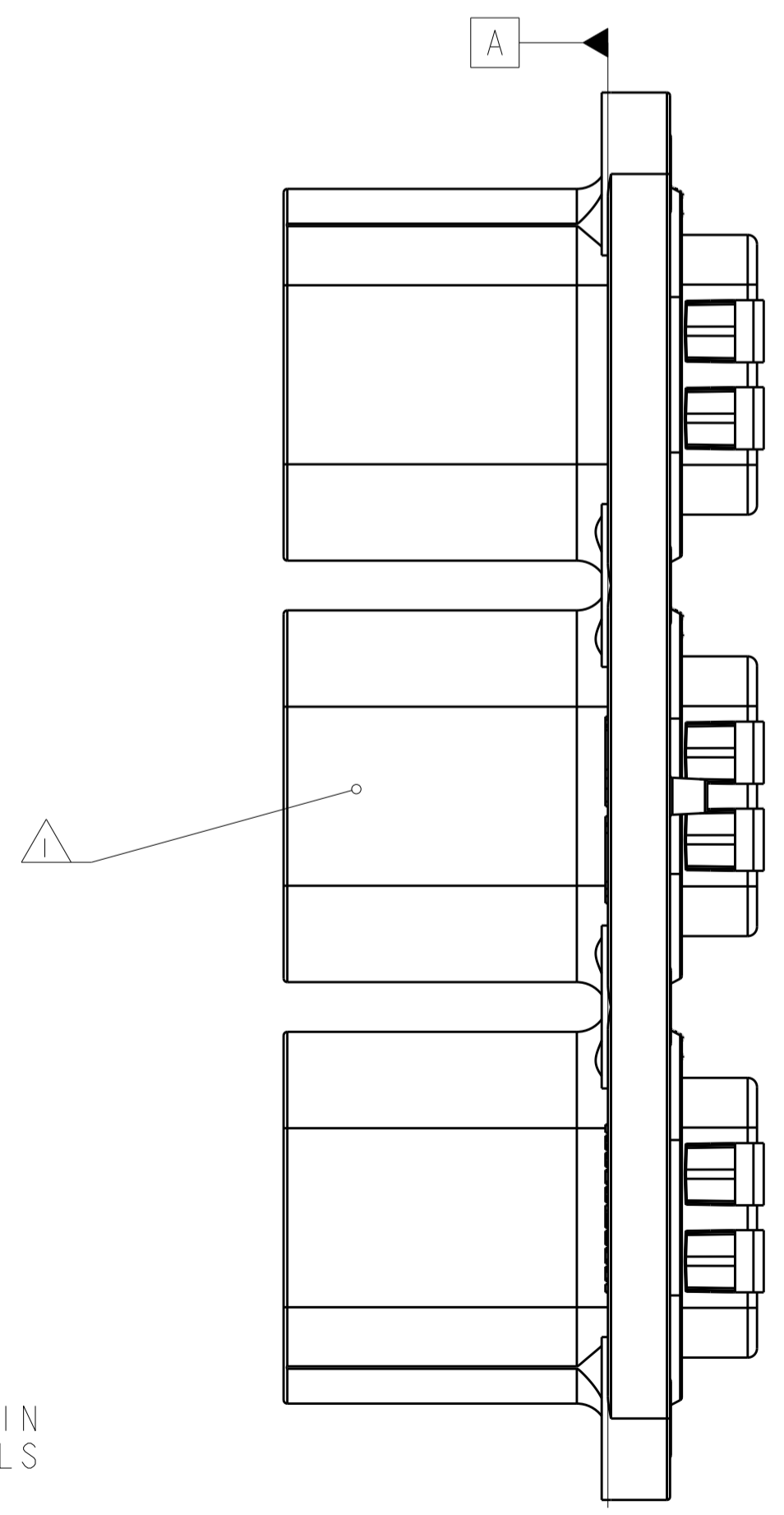
REVISIONS				
P.	LTN.	DESCRIPTION	DATE	APVD.
A	ECO-14-011988		05AUG2014	YS TD
A1	ECO-15-002890		24FEB2015	YS TD
A2	ECR-17-012831		08AUG2017	AH CK



0.80 MAX WASHER/FASTENER HEIGHT OUTSIDE OF 8.7MM MAX FASTENER DIAMETER FOR MATING PLUG CLEARANCE



- 1. IDENTIFICATION MARKING ON THIS SURFACE CONTAINS ASSEMBLY P/N AND DATE CODE (YYDD). TEXT ORIENTATION, SIZE, AND LOCATION CAN VARY AS LONG AS TEXT IS ON SURFACE SHOWN AND READABLE.
- 2. SHIELD SEAM CAN BE POSITIONED AS SHOWN OR ROTATED 180° FROM POSITION SHOWN.
- 3. NOTE DELETED
- 4. THESE DIMENSIONS DEFINE FASTENER SIZE LIMITS FOR PROPER COMPONENT FUNCTIONALITY. END USER MUST ENSURE FASTENER AND/OR WASHER DIAMETER IS 8.6 MM MIN FOR PROPER RETENTION. THESE ARE NOT PRODUCT FEATURES - NO INSPECTION REQUIRED FOR THESE ITEMS.
- 5. SURFACE FINISH APPLIES IN THIS AREA
- 6. USE WITH INNER HOUSING 2103245-X (2P) OR 2103321-X (3P)



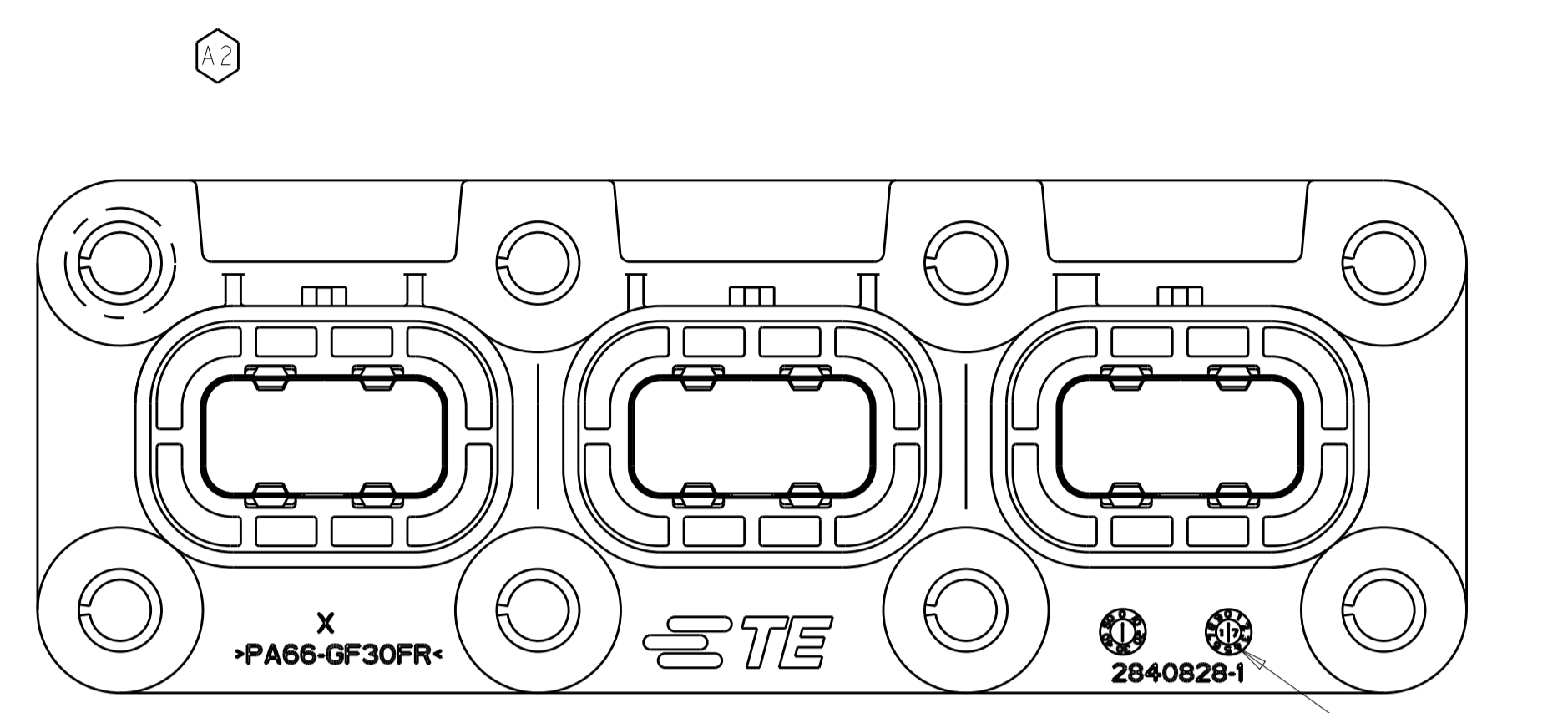
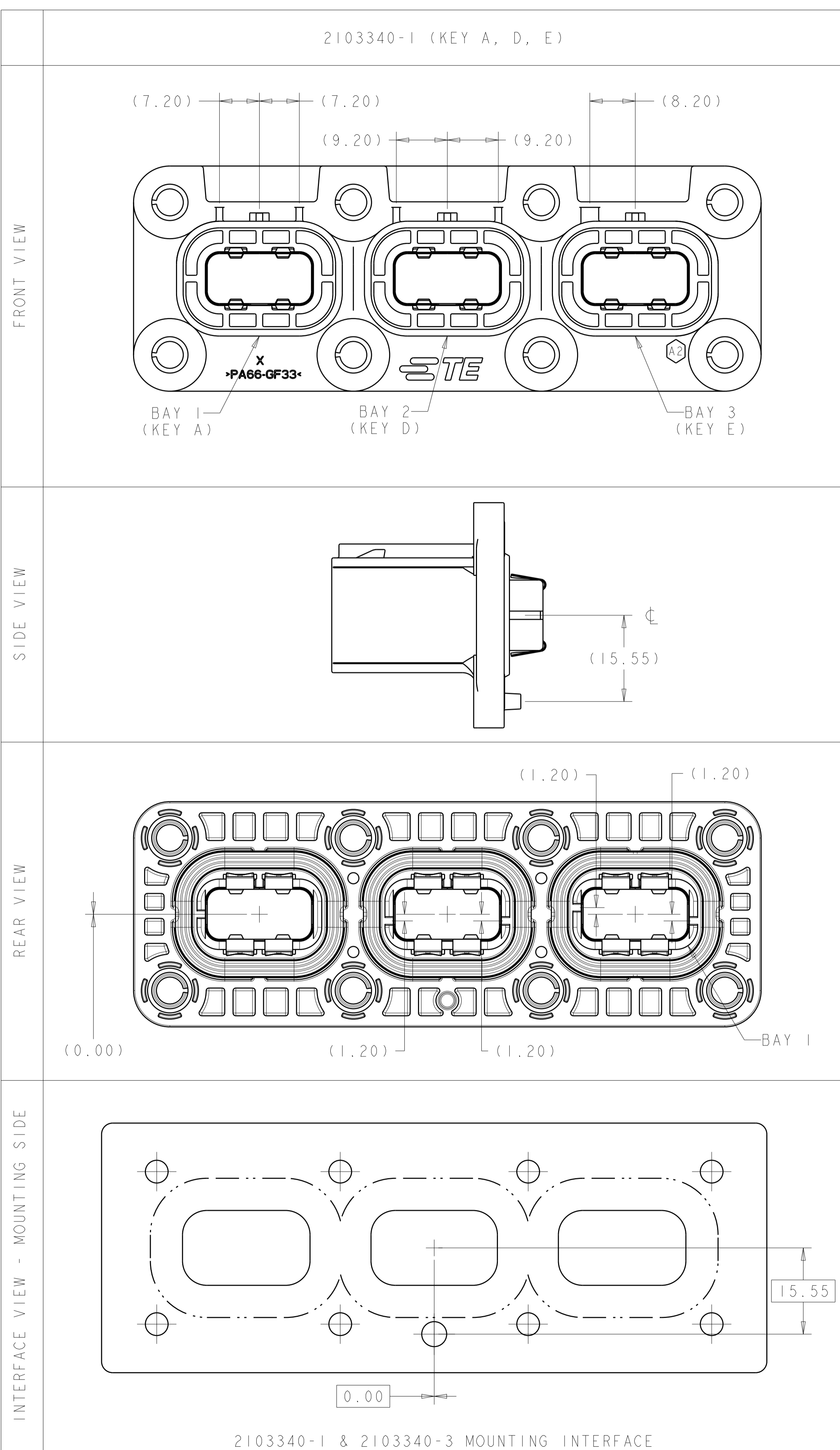
MOUNTING INTERFACE SPECIFICATION  
 (2103340-1, 2103340-3 MOUNTING INTERFACE SHOWN)

DATE CODE TO REPRESENT YEAR AND WEEK OF MANUFACTURE. TO OBTAIN WEEK OF MANUFACTURE, ADD READINGS OF BOTH LEFT AND RIGHT DIALS (E.G. 30 AND 7 MEANS 37TH WEEK). YEAR CODE IS THE INNER NUMBER ON ONE OF THE DIALS.

A, D, E	2103340-3
A, D, E	2103340-1
INDEX (BAY 1, 2, 3)	TE P/N

THIS DRAWING IS A CONTROLLED DOCUMENT.		OWN	T. DEWILTE	20JUN2012
DIMENSIONS:		CHK	T. DEWILTE	20JUN2012
mm	0 PLC ±0.50	APVD	T. DEWILTE	20JUN2012
	1 PLC ±0.50	PRODUCT SPEC		
	2 PLC ±0.15	APPLICATION SPEC		
	3 PLC ±0.05	SIZE		
	4 PLC ±	CAGE CODE		
	ANGLES ±	DRAWING NO		
MATERIAL	FINISH	RESTRICTED TO		
		A100779C=2103340		
Customer Drawing		SCALE	2:1	SHEET 1 OF 2

REVISIONS				
P.	LTN	DESCRIPTION	DATE	OWN APVD
-	-	SEE SHEET 1	-	-



A, D, E	2103340-3
A, D, E	2103340-1
INDEX (BAY 1, 2, 3)	TE P/N

THIS DRAWING IS A CONTROLLED DOCUMENT.

DIMENSIONS:	TOLERANCES UNLESS OTHERWISE SPECIFIED:	OWN T. DEWILTE 20JUN2012	CHK T. DEWILTE 20JUN2012	APVD T. DEWILTE 20JUN2012	NAME
mm	0 PLC ±0.50 1 PLC ±0.50 2 PLC ±0.15 3 PLC ±0.05 4 PLC ±	PRODUCT SPEC	3 BAY HEADER ASSY, HVA280		
ANGLES	±	APPLICATION SPEC	SIZE	CAGE CODE	DRAWING NO
MATERIAL	FINISH	WEIGHT	A100779	C=2103340	RESTRICTED TO
Customer Drawing		SCALE	2:1	SHEET	2 OF 2
		REV	A2		

## X-ON Electronics

Largest Supplier of Electrical and Electronic Components

*Click to view similar products for [Automotive Connectors](#) category:*

*Click to view products by [TE Connectivity](#) manufacturer:*

Other Similar products are found below :

[003-018-000](#) [60403001](#) [60993906-B](#) [M902-2131](#) [M902-2161](#) [72.330.1035.1](#) [73.353.4028.0](#) [F119300-B](#) [F166900](#) [F258300-B](#) [F358300-B](#)  
[F407400](#) [F444110](#) [F487000](#) [F509500B-B](#) [827153-1](#) [8N1515-32-24P](#) [9-1326729-8](#) [925474-1](#) [928905-1](#) [964562-4](#) [968782-1](#) [GT17SA-8DS-](#)  
[HU](#) [98891-1012](#) [98947-1016](#) [12004147](#) [12004475-L](#) [12010290](#) [12010309-B](#) [12015454](#) [12020219-B](#) [12020308](#) [12041318-B](#) [12052225-L](#)  
[12052466](#) [12059125](#) [12064869](#) [12004327-B](#) [12010503-B](#) [12015308](#) [12015384](#) [12015909](#) [1-21030-1](#) [12041254](#) [12041318](#) [12047946-B](#)  
[12047957](#) [12047957-L](#) [12059473](#) [12066261](#)