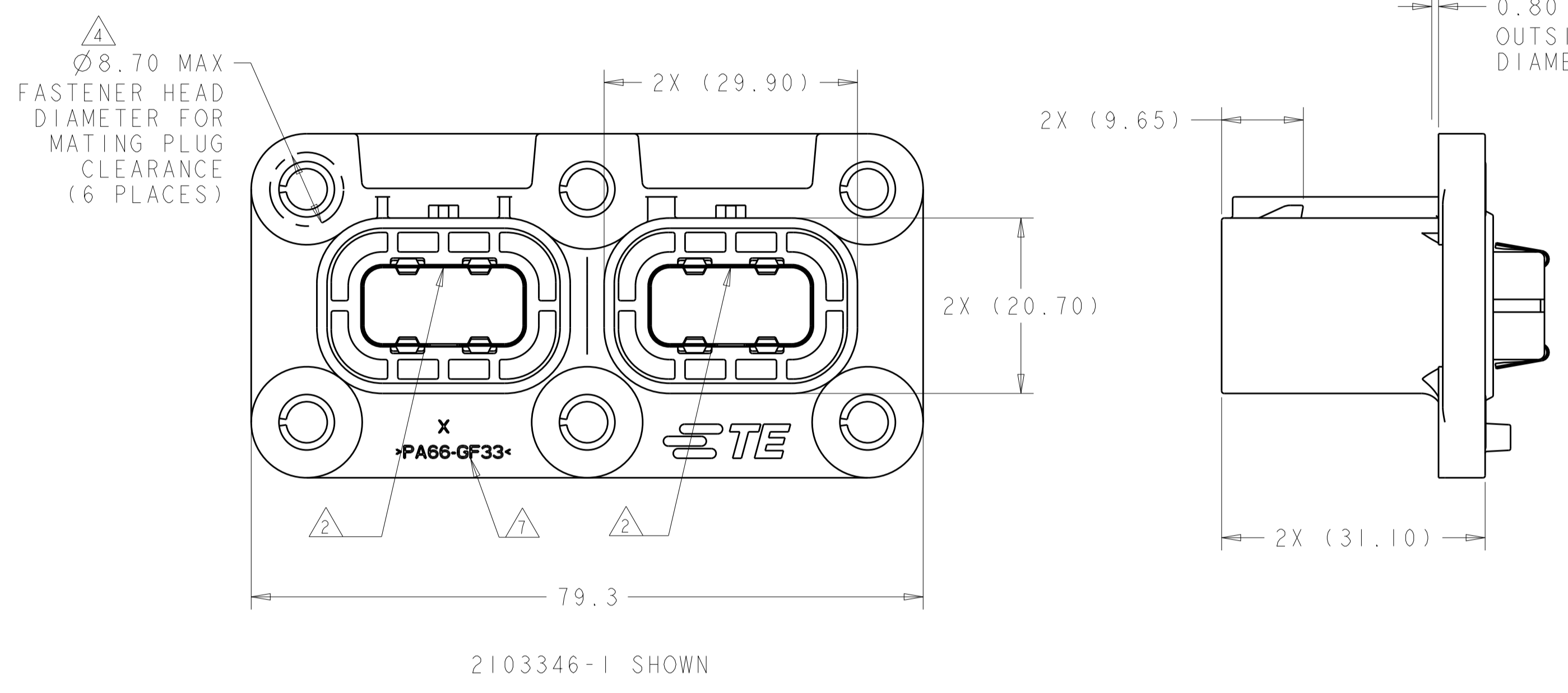
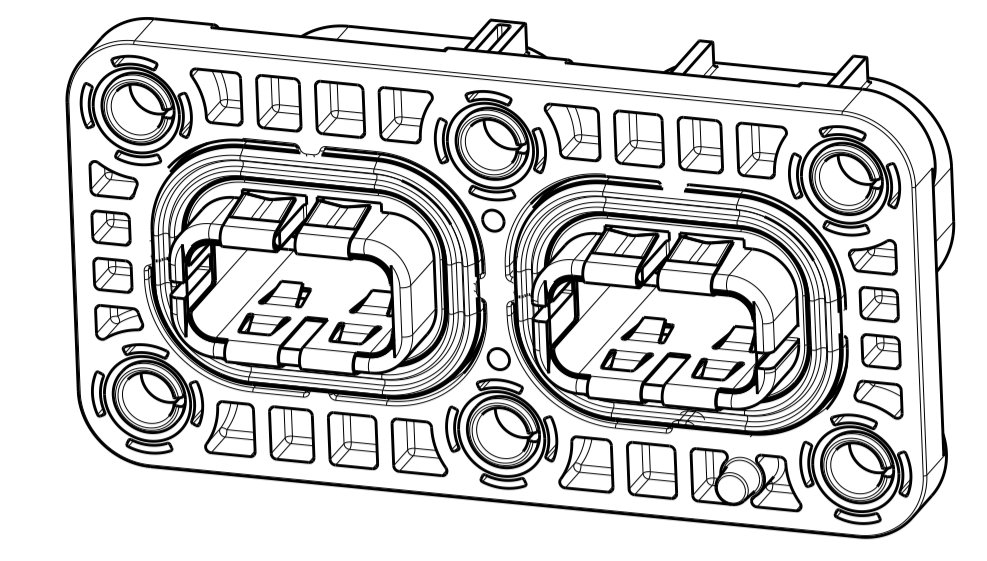
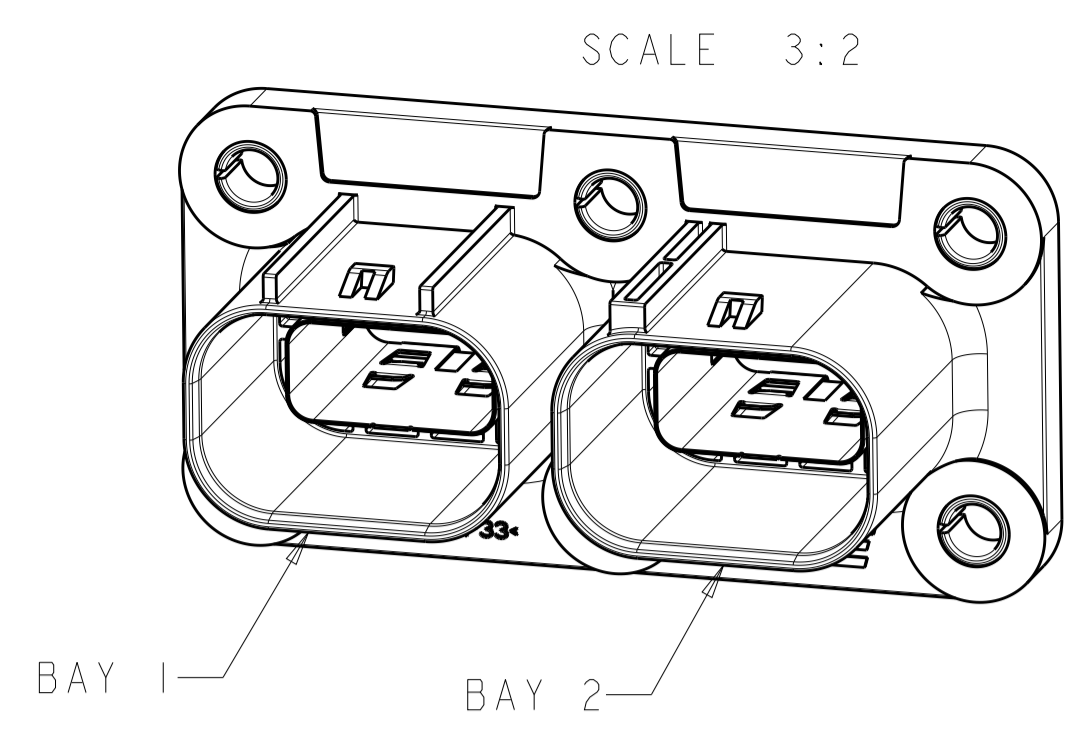
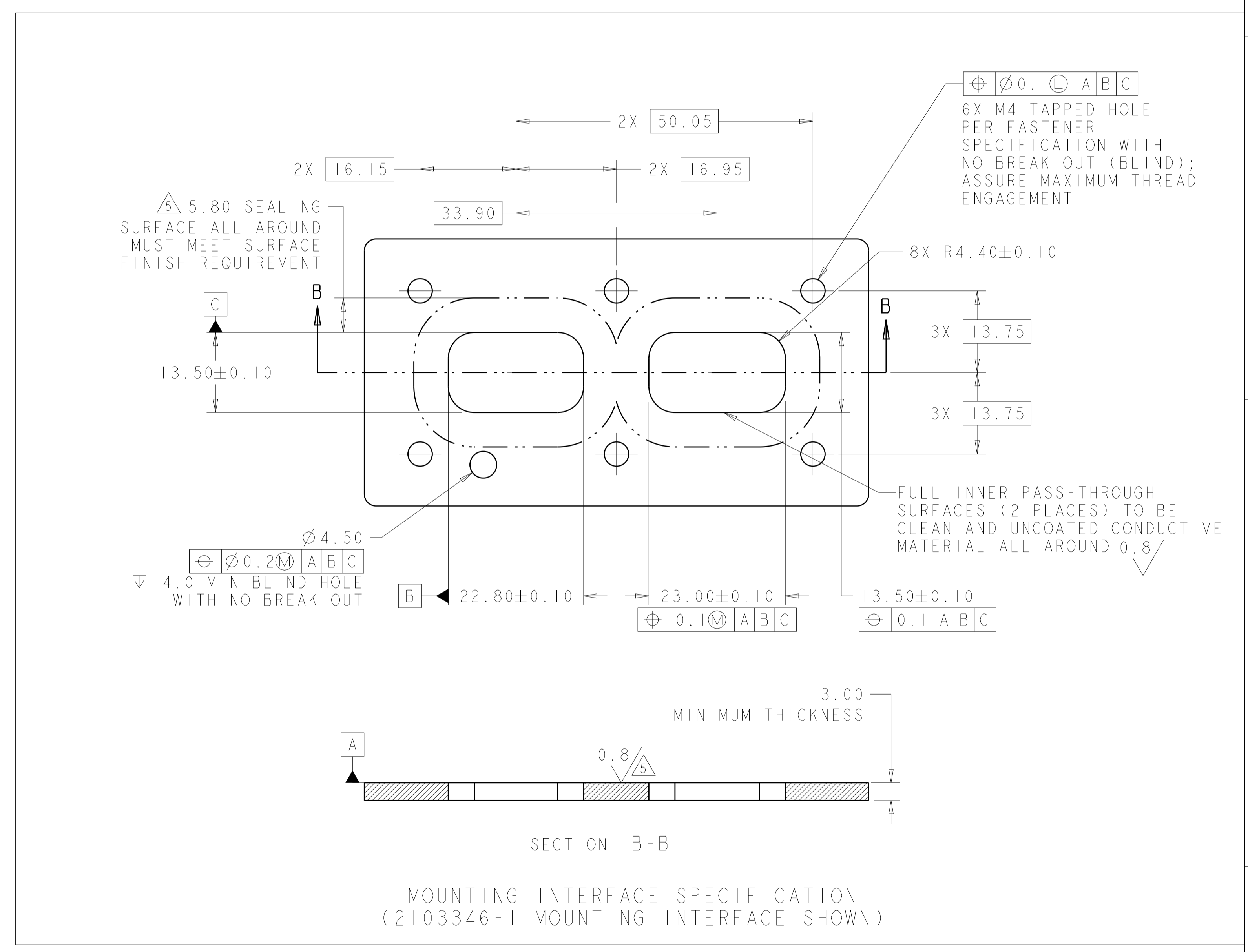


REVISIONS				
P.	LTN.	DESCRIPTION	DATE	APPROV.
A	ECO-15-000626		13JAN2015	TD TD
A1	REVISED PER ECO-18-007085		07MAY2018	JMS AG
A2	REVISED PER ECO-18-018350		21NOV2018	PK AG
A3	ECO-19-007104		07MAY2019	PK YS



0.80 MAX WASHER/FASTENER HEIGHT OUTSIDE OF 8.7MM MAX FASTENER DIAMETER FOR MATING PLUG CLEARANCE



- 1 IDENTIFICATION MARKING ON THIS SURFACE CONTAINS ASSEMBLY P/N AND DATE CODE (YYDDD). TEXT ORIENTATION, SIZE, AND LOCATION CAN VARY AS LONG AS TEXT IS ON SURFACE SHOWN AND READABLE
- 2 SHEILD SEAM CAN BE POSITIONED AS SHOWN OR ROTATED 180° FROM POSITION SHOWN
- 3. NOTE DELETED
- 4 THESE DIMENSIONS DEFINE FASTENER SIZE LIMITS FOR PROPER COMPONENT FUNCTIONALITY. END USER MUST ENSURE FASTENER AND/OR WASHER DIAMETER IS 8.6mm MIN FOR PROPER RETENTION. THESE ARE NOT PRODUCT FEATURES - NO INSPECTION REQUIRED FOR THESE ITEMS.
- 5 SURFACE FINISH APPLIES IN THIS AREA.
- 6. USE WITH INNER HOUSING 2103245-X (2P) OR 2103321-X (3P)
- 7 MATERIAL CODE:
 2103346-1 & 2103346-2: >PA66-GF33<
 1-2103346-1 & 1-2103346-2: >PA66/6T-GF30-FR(40)

D, F HOUSING V0	1-2103346-2
A, E HOUSING V0	1-2103346-1
D, F	2103346-2
A, E	2103346-1
INDEX (BAY 1, 2)	PART NO

THIS DRAWING IS A CONTROLLED DOCUMENT.

DIMENSIONS:	TOLERANCES UNLESS OTHERWISE SPECIFIED:	0 PLC ±0.50	1 PLC ±0.50	2 PLC ±0.15	3 PLC ±0.05	4 PLC ±	ANGLES ±	FINISH ±
-------------	--	-------------	-------------	-------------	-------------	---------	----------	----------

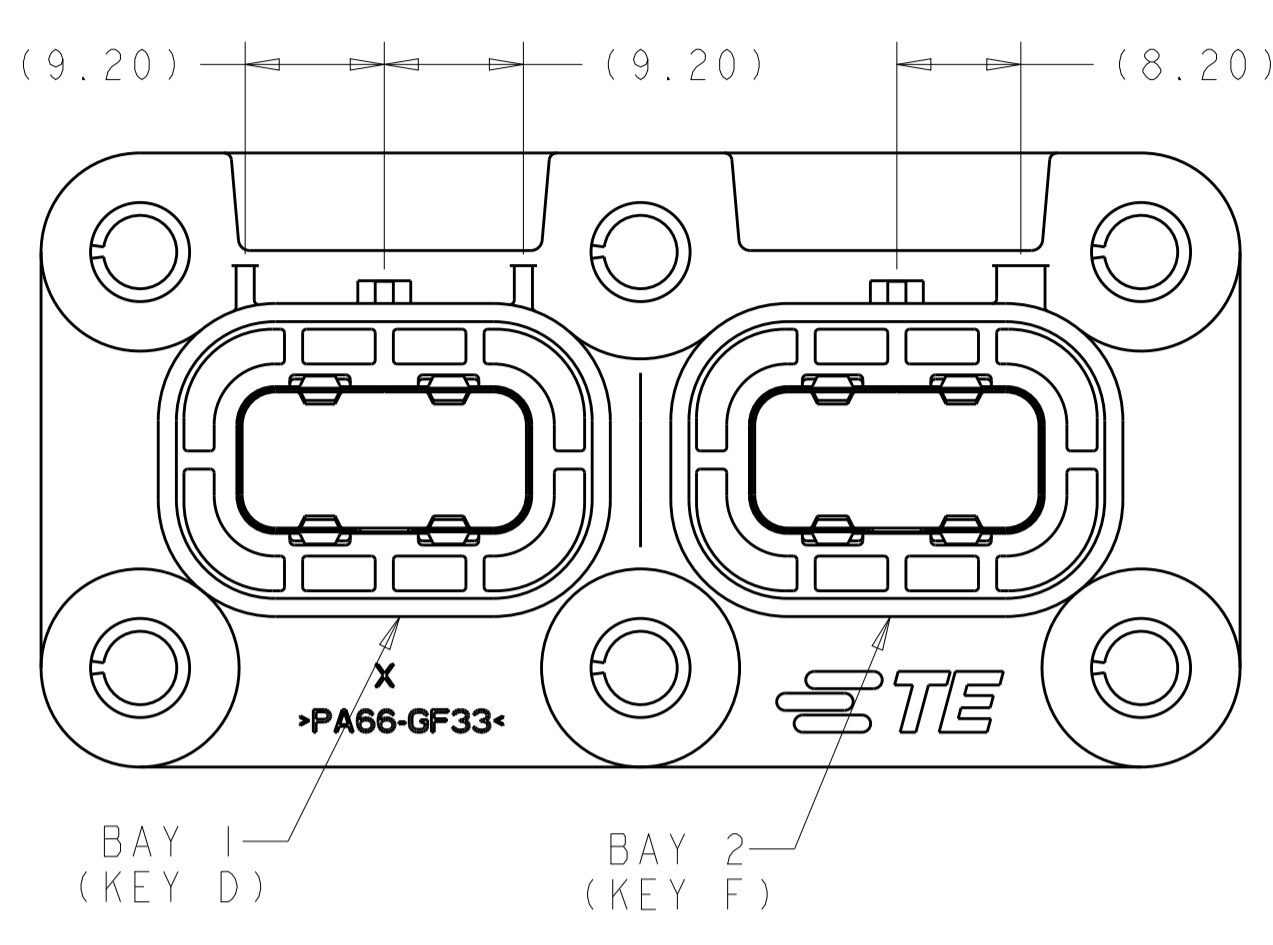
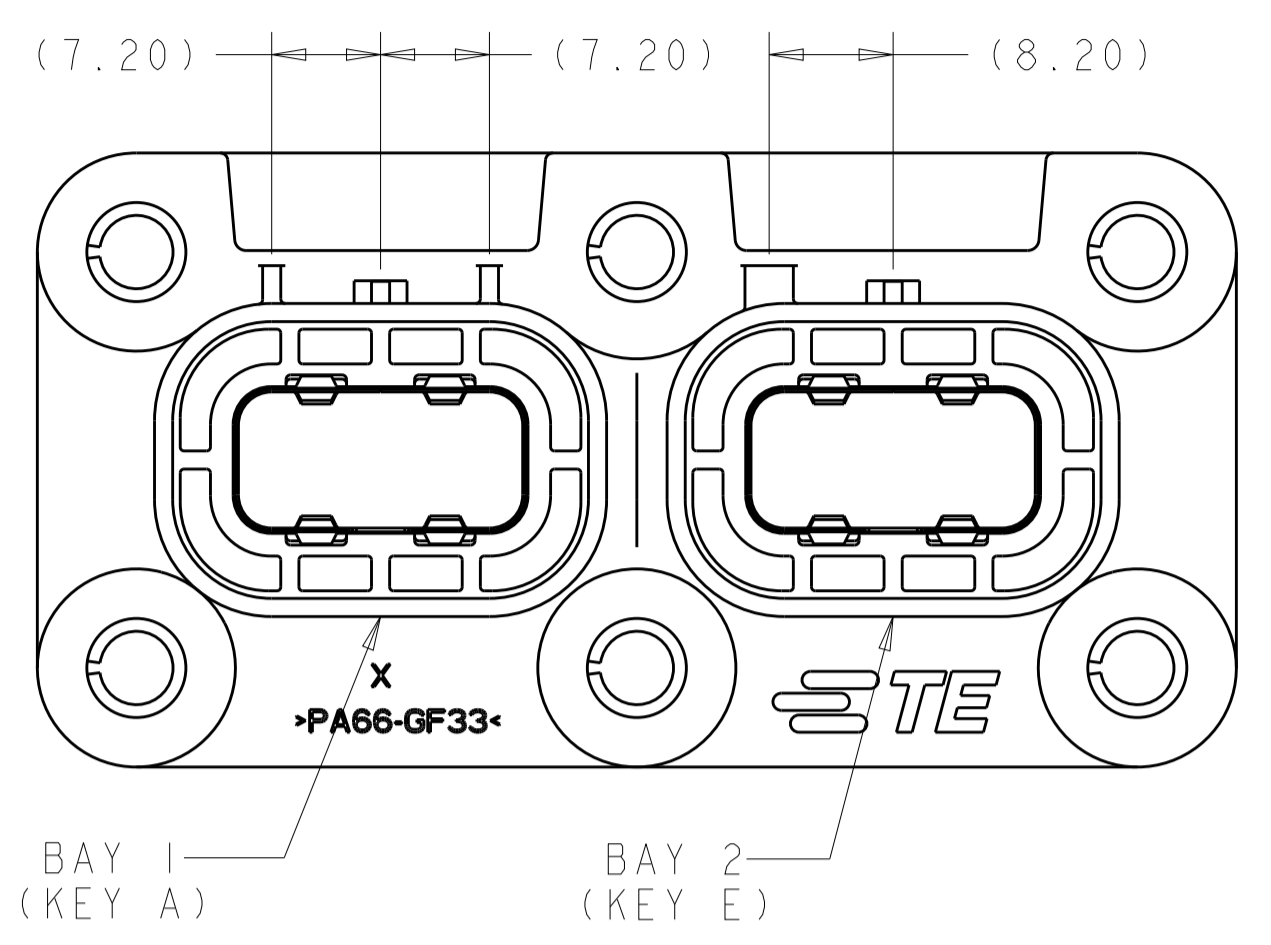
APPROVED: T. DEWILTE 24APR2013
 NAME: HEADER ASSY, HVA280 2 BAY
 SIZE: A1 CAGE CODE: 100779 DRAWING NO: 2103346
 WEIGHT: -
 Customer Drawing SCALE: 2:1 SHEET 1 OF 2 REV: A3

REVISIONS				
P.	LTN	DESCRIPTION	DATE	APVD
-	-	SEE SHEET 1	-	-

2103346-1 & 1-2103346-1 (KEY A, E)

2103346-2 & 1-2103346-2 (KEY D, F)

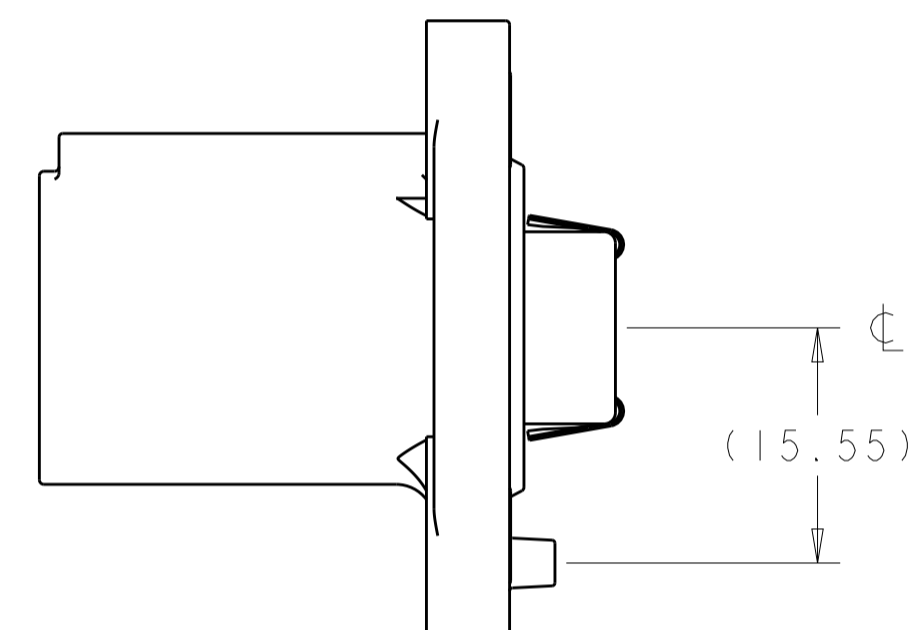
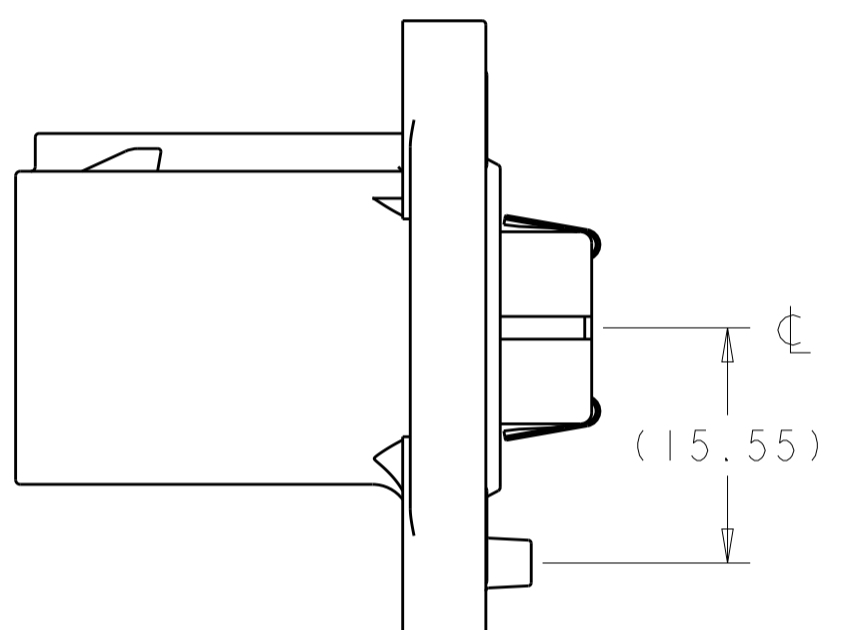
FRONT VIEW



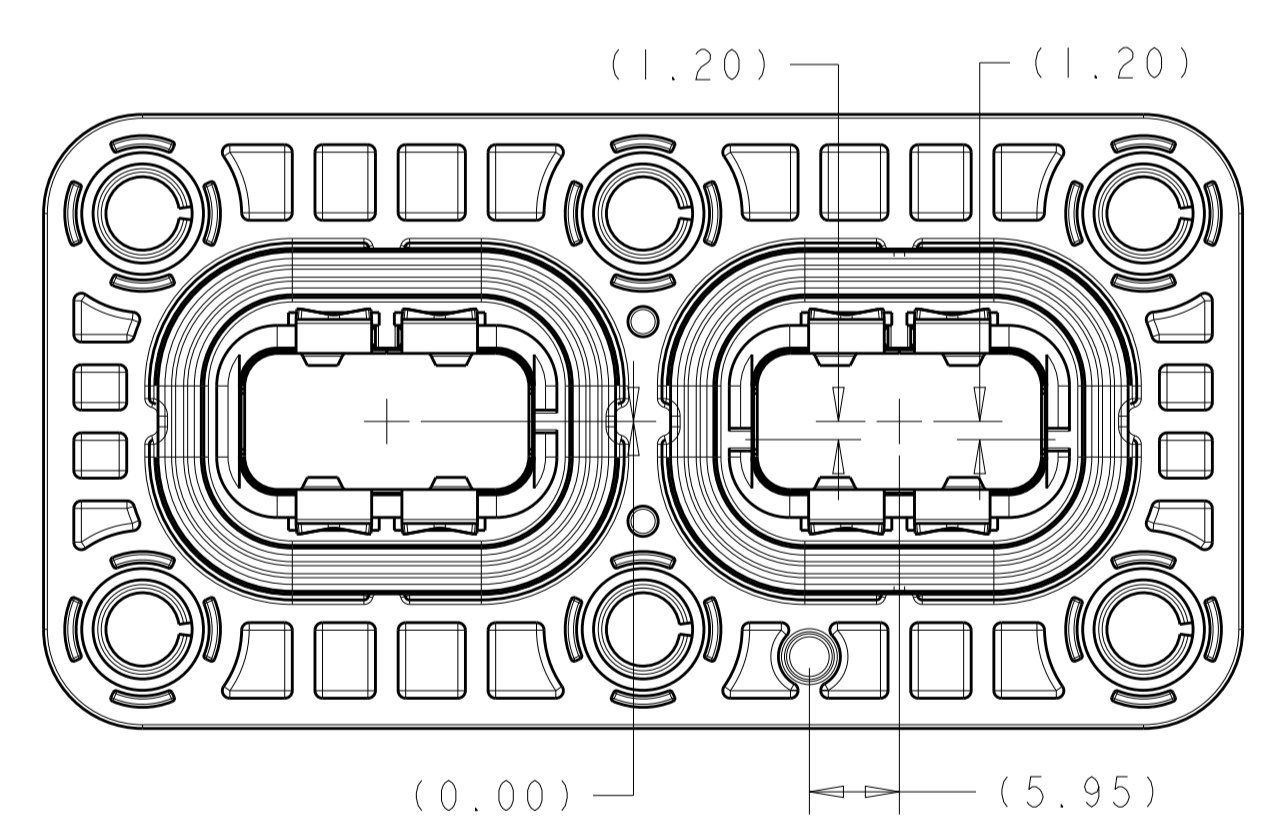
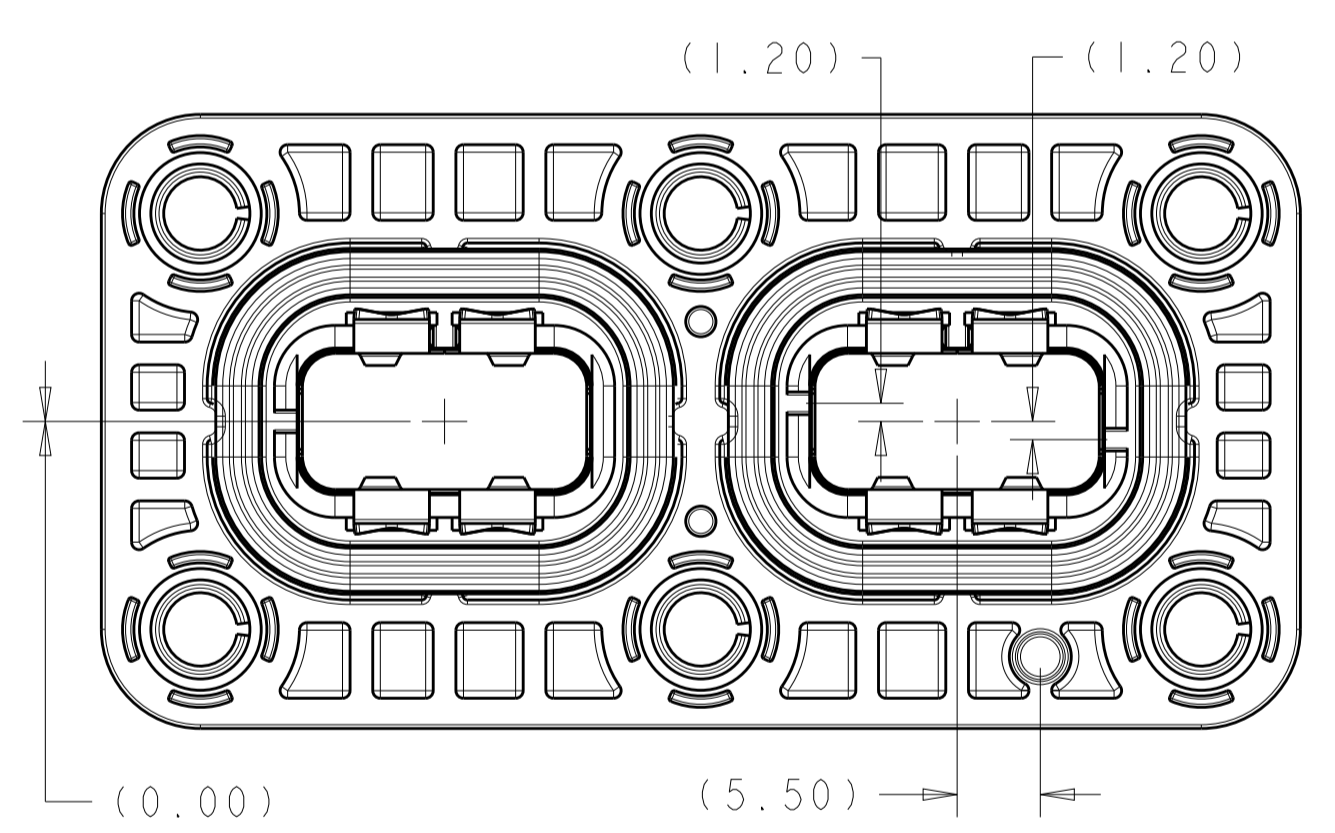
2103346-1 SHOWN

2103346-2 SHOWN

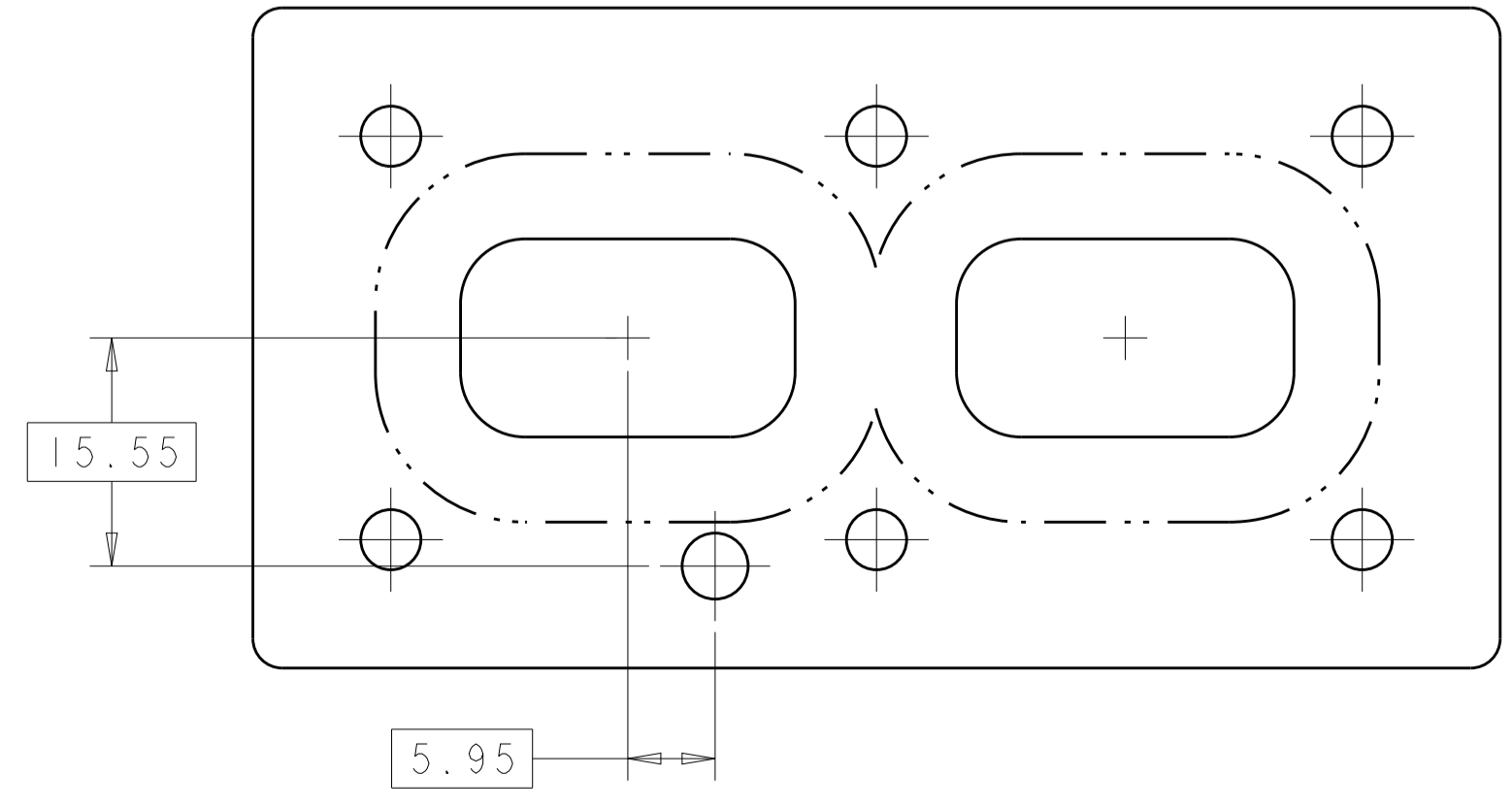
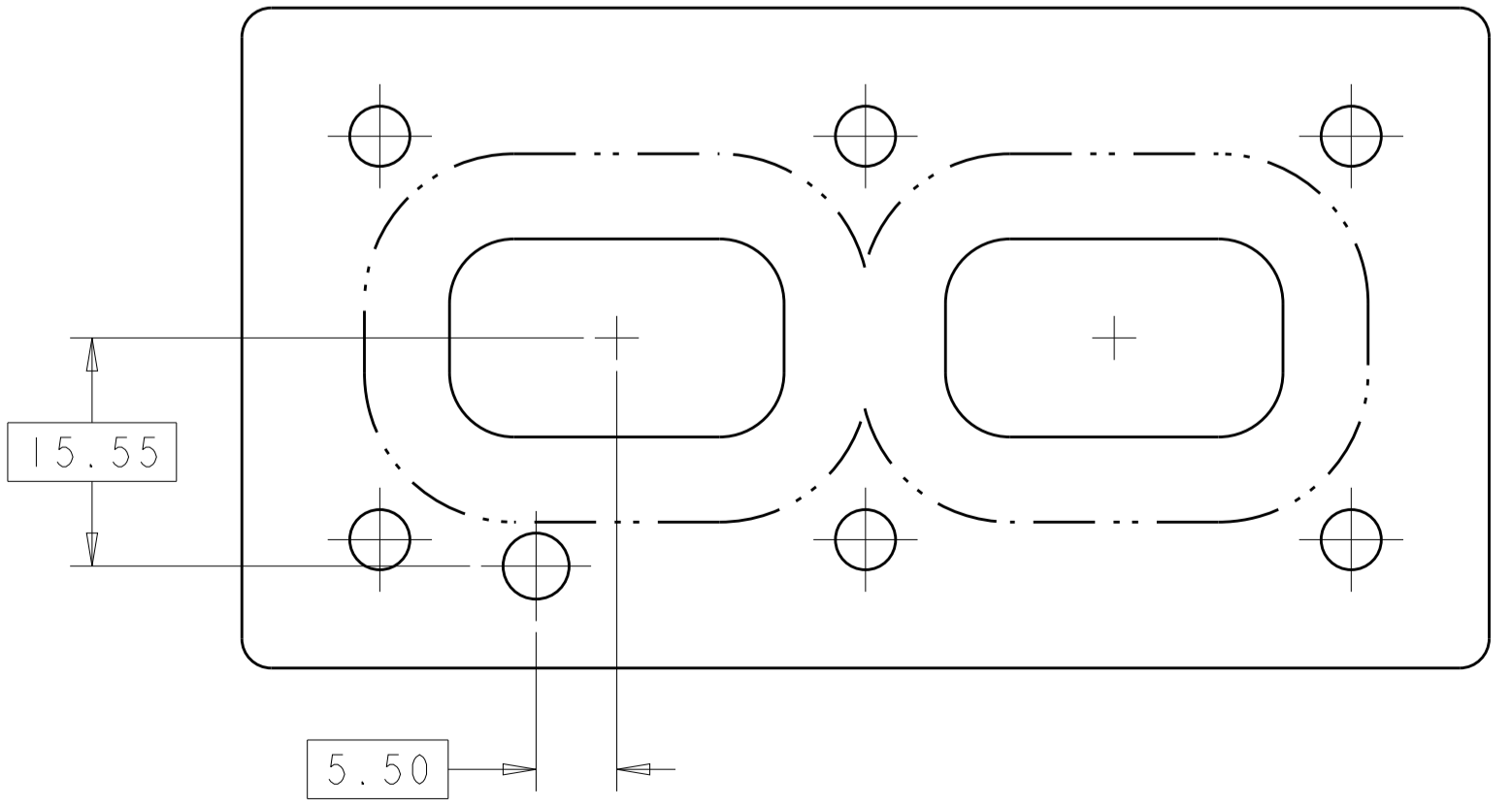
SIDE VIEW



REAR VIEW



INTERFACE VIEW - MOUNTING SIDE



2103346-1 & 1-2103346-1 MOUNTING INTERFACE

2103346-2 & 1-2103346-2 MOUNTING INTERFACE

THIS DRAWING IS A CONTROLLED DOCUMENT.		OWN: T. DEWILTE 24APR2013	TE Connectivity NAME: HEADER ASSY, HVA280 2 BAY
DIMENSIONS: mm		CHK: T. DEWILTE 24APR2013	
TOLERANCES UNLESS OTHERWISE SPECIFIED: 0 PLC ±0.50 1 PLC ±0.50 2 PLC ±0.15 3 PLC ±0.05 4 PLC ± ANGLES ±°		APVD: T. DEWILTE 24APR2013	
		PRODUCT SPEC: -	
MATERIAL: -		APPLICATION SPEC: -	RESTRICTED TO: -
FINISH: -		WEIGHT: -	SIZE: A100779C=2103346
Customer Drawing		SCALE: 1:1	SHEET 2 OF 2 REV A3

X-ON Electronics

Largest Supplier of Electrical and Electronic Components

Click to view similar products for [Automotive Connectors](#) category:

Click to view products by [TE Connectivity](#) manufacturer:

Other Similar products are found below :

[003-018-000](#) [60403001](#) [60993906-B](#) [M902-2131](#) [M902-2161](#) [72.330.1035.1](#) [73.353.4028.0](#) [F119300-B](#) [F166900](#) [F258300-B](#) [F358300-B](#)
[F407400](#) [F444110](#) [F487000](#) [F509500B-B](#) [827153-1](#) [8N1515-32-24P](#) [9-1326729-8](#) [925474-1](#) [928905-1](#) [964562-4](#) [968782-1](#) [GT17SA-8DS-](#)
[HU](#) [98891-1012](#) [98947-1016](#) [12004147](#) [12004475-L](#) [12010290](#) [12010309-B](#) [12015454](#) [12020219-B](#) [12020308](#) [12041318-B](#) [12052225-L](#)
[12052466](#) [12059125](#) [12064869](#) [12004327-B](#) [12010503-B](#) [12015308](#) [12015384](#) [12015909](#) [1-21030-1](#) [12041254](#) [12041318](#) [12047946-B](#)
[12047957](#) [12047957-L](#) [12059473](#) [12066261](#)