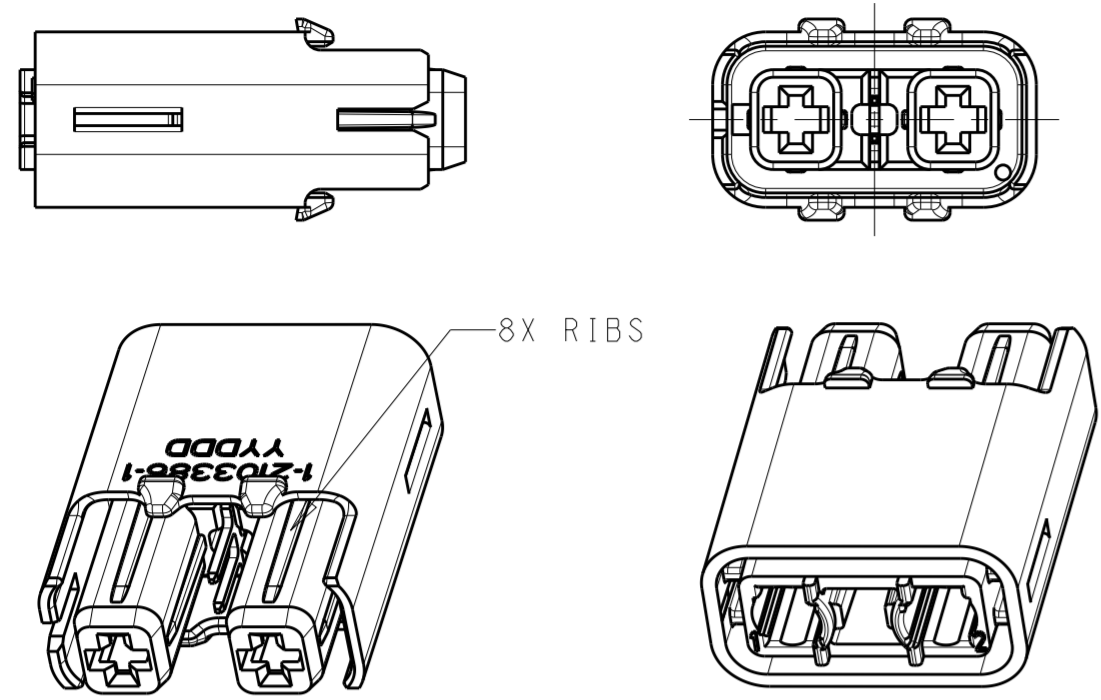
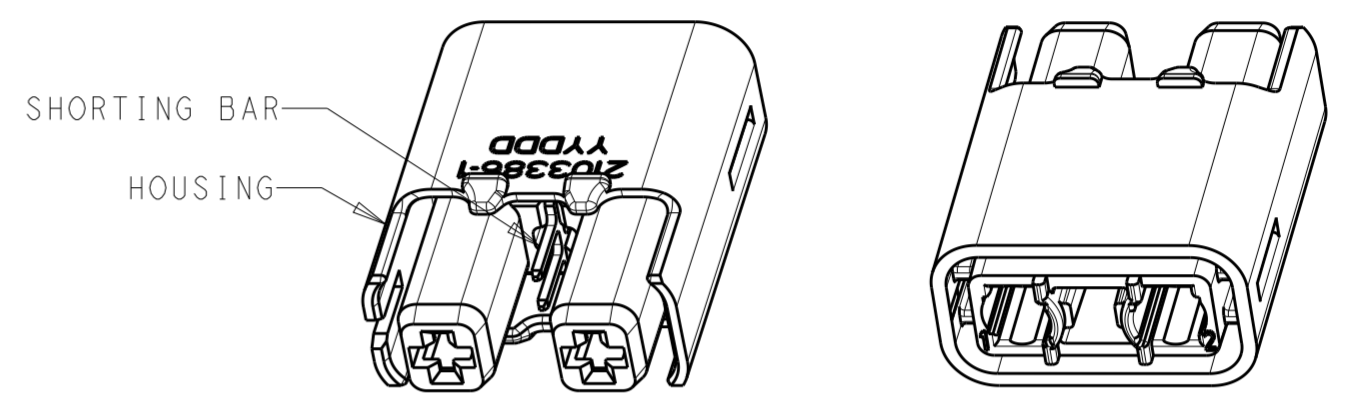
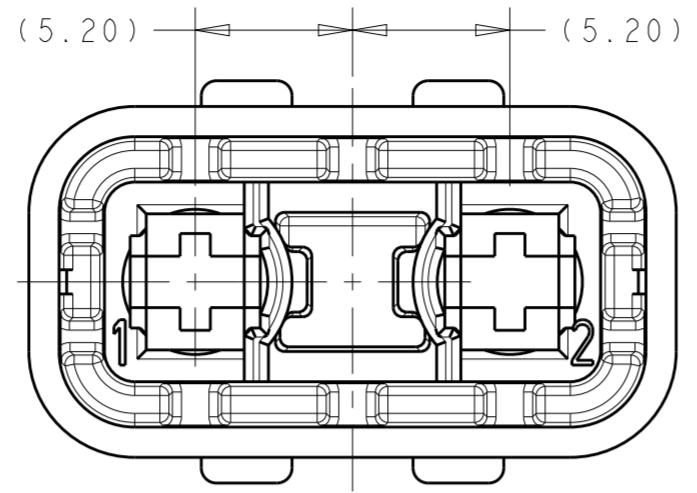


THIS DRAWING IS UNPUBLISHED. RELEASED FOR PUBLICATION 20
 © COPYRIGHT 20 BY TYCO ELECTRONICS CORPORATION ALL RIGHTS RESERVED.

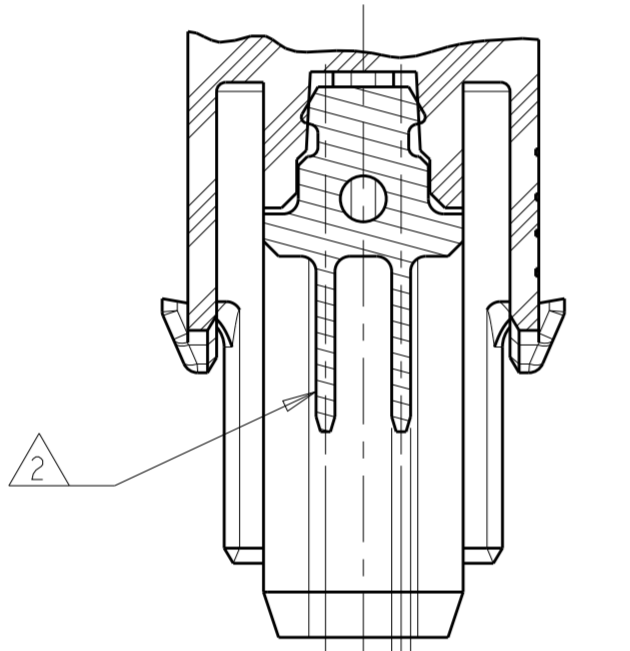
LOC	DIST	REVISIONS			
P	LTR	DESCRIPTION	DATE	DWN	APVD
	A	ECO-13-017852	13NOV2013	DR	DR
	A1	ECO-14-000545	13JAN2014	DR	DR
	A2	ECO-14-001314	27JAN2014	DR	DR



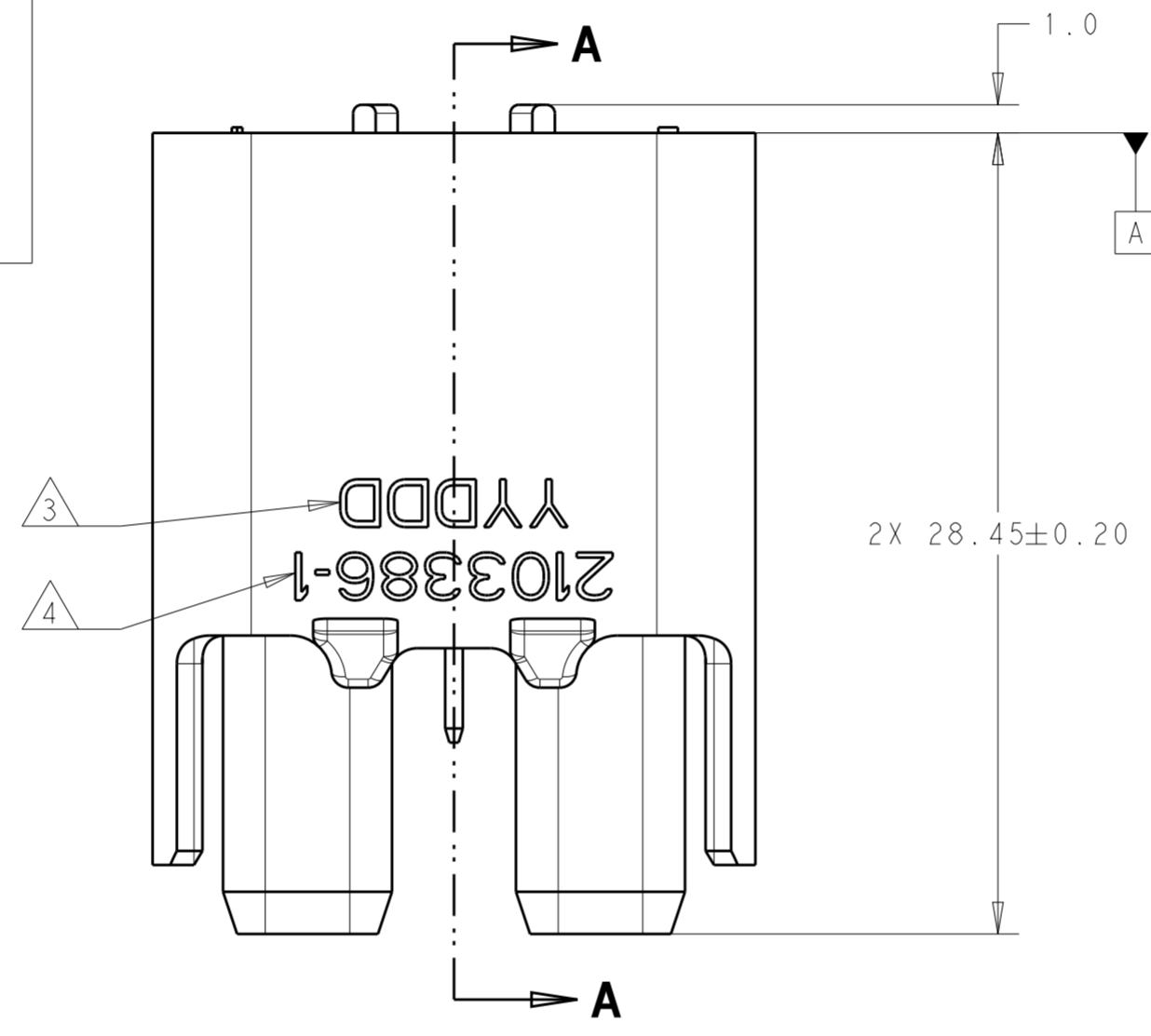
6 5 1-2103386-1
 SAME AS 2103386-1 EXCEPT AS SHOWN
 SCALE 2:1



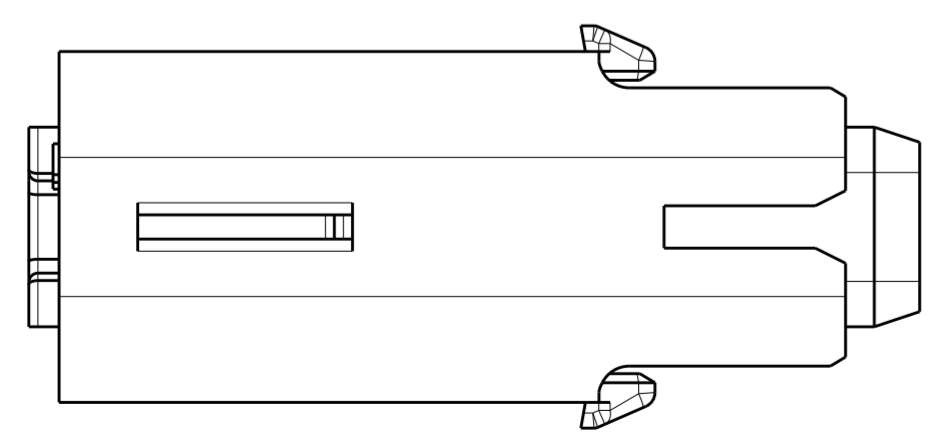
SCALE 2:1



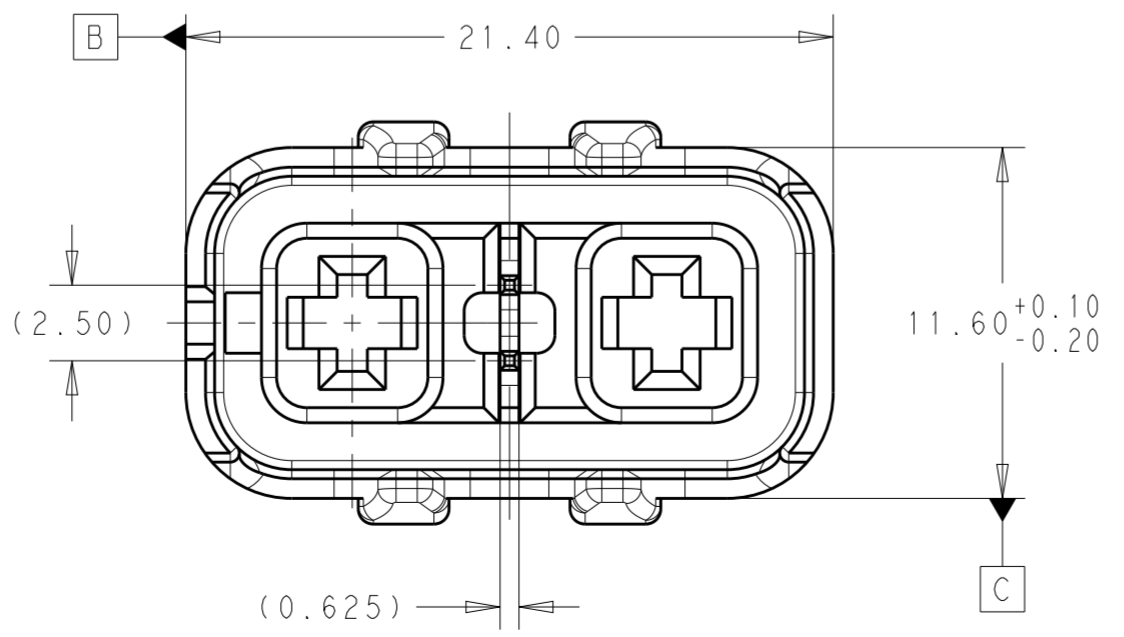
SECTION A-A



- 1 MATERIAL:
HOUSING: PA66 33%GF
SHORTING BAR: Ag PLATED COPPER ALLOY
- 2 SHORTING BAR INSTALLED AS SHOWN
- 3 JULIAN DATE CODE IN THIS LOCATION AT ASSEMBLY
- 4 TE PART NUMBER IN THIS LOCATION AT ASSEMBLY
- 5 PRELIMINARY PART - NOT RELEASED FOR PRODUCTION
- 6 THIS PART HAS NOT COMPLETED VALIDATION TESTING



2103386-1 SHOWN



4.00 g	ORANGE	INNER HSG SUB-ASSY, HVA280-2PHM, VIB	2	6 5 1-2103386-1
4.00 g	BLACK	INNER HSG SUB-ASSY, HVA280-2PHM	A	2103386-1
WEIGHT	COLOR	DESCRIPTION	REV	PART NUMBER

THIS DRAWING IS A CONTROLLED DOCUMENT.		DWN D. RHEIN 08JAN2013	TE Connectivity	
DIMENSIONS: mm		CHK D. RHEIN 08JAN2013		
		APVD A. GUANCO 08JAN2013		
TOLERANCES UNLESS OTHERWISE SPECIFIED:		NAME INNER HOUSING SUB-ASSY HVA280-2PHM		RESTRICTED TO
0 PLC ±		APPLICATION SPEC		SIZE
1 PLC ±0.2		WEIGHT SEE TABLE		CAGE CODE
2 PLC ±0.10		Customer Drawing		DRAWING NO
3 PLC ±		SCALE 4:1		SHEET 1 OF 1
4 PLC ±		REV A2		
ANGLES ±1°				
FINISH				

X-ON Electronics

Largest Supplier of Electrical and Electronic Components

Click to view similar products for [Automotive Connectors](#) category:

Click to view products by [TE Connectivity](#) manufacturer:

Other Similar products are found below :

[003-018-000](#) [60403001](#) [60993906-B](#) [M902-2131](#) [M902-2161](#) [M902-2344](#) [72.330.1035.1](#) [73.353.4028.0](#) [F119300-B](#) [F166900](#) [F258300-B](#)
[F358300-B](#) [F407400](#) [F444110](#) [F487000](#) [F509500B-B](#) [827153-1](#) [8N1515-32-24P](#) [9-1326729-8](#) [925474-1](#) [928905-1](#) [964562-4](#) [968782-1](#)
[GT17SA-8DS-HU](#) [98891-1012](#) [98947-1016](#) [12004147](#) [12004475-L](#) [12010290](#) [12010309-B](#) [12015454](#) [12020219-B](#) [12041318-B](#) [12052225-](#)
[L](#) [12052466](#) [12064869](#) [12004327-B](#) [12015308](#) [12015384](#) [12015909](#) [1-21030-1](#) [12041254](#) [12041318](#) [12047946-B](#) [12047957](#) [12047957-L](#)
[12059473](#) [12066261](#) [12110546](#) [12110546-B](#)