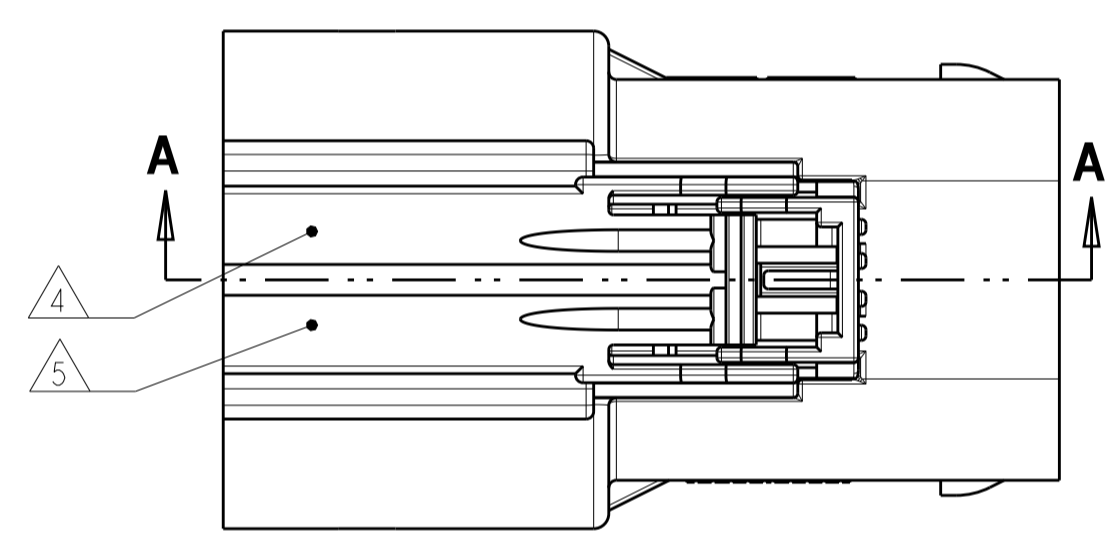
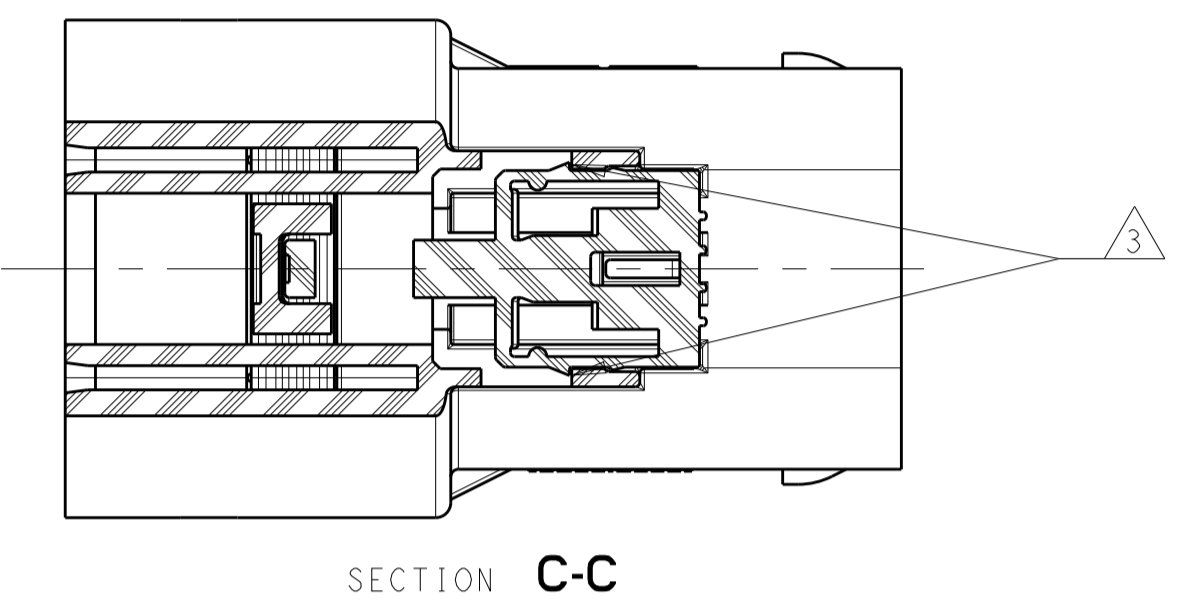
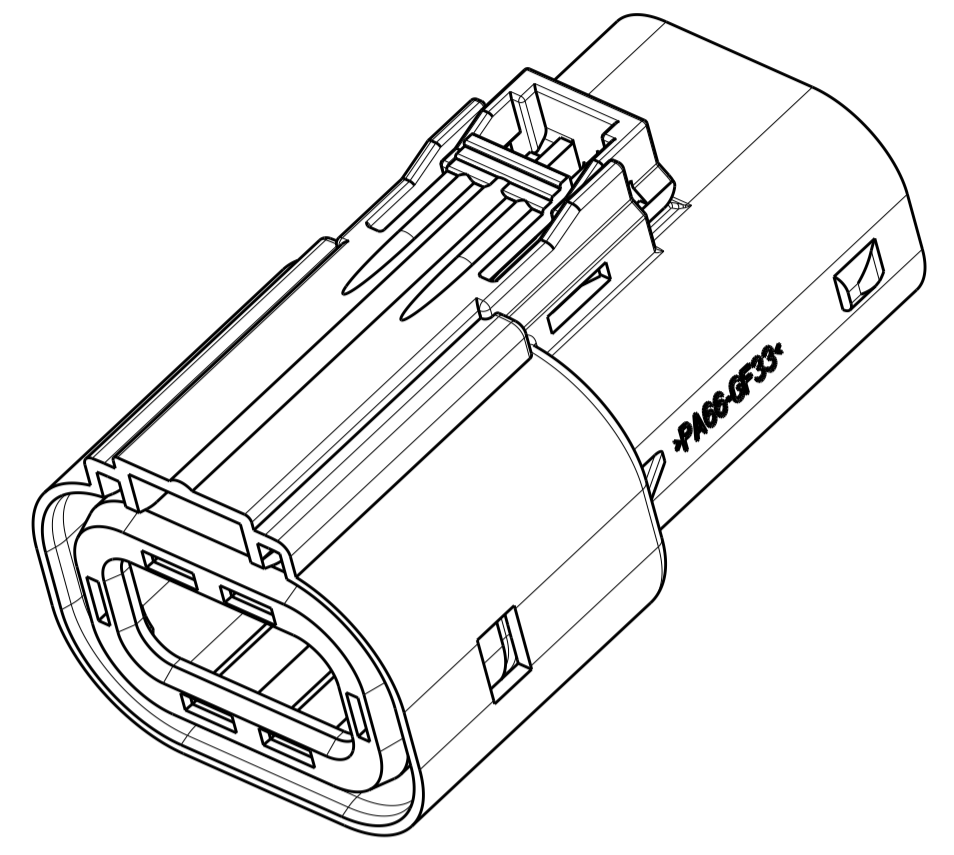
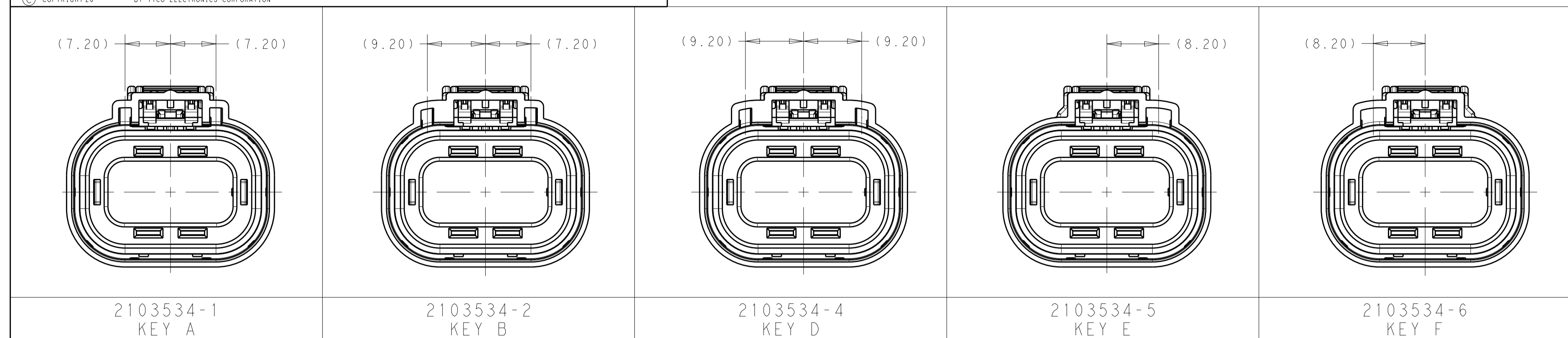
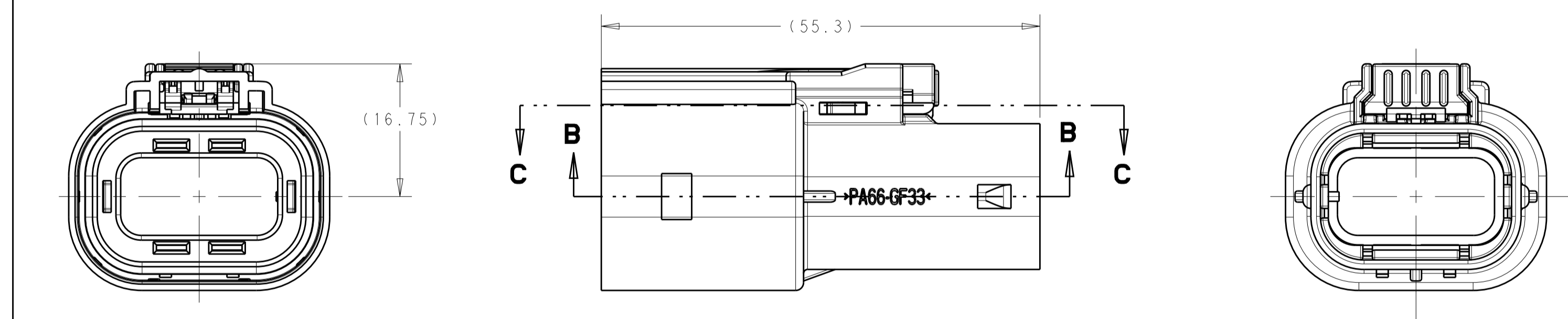


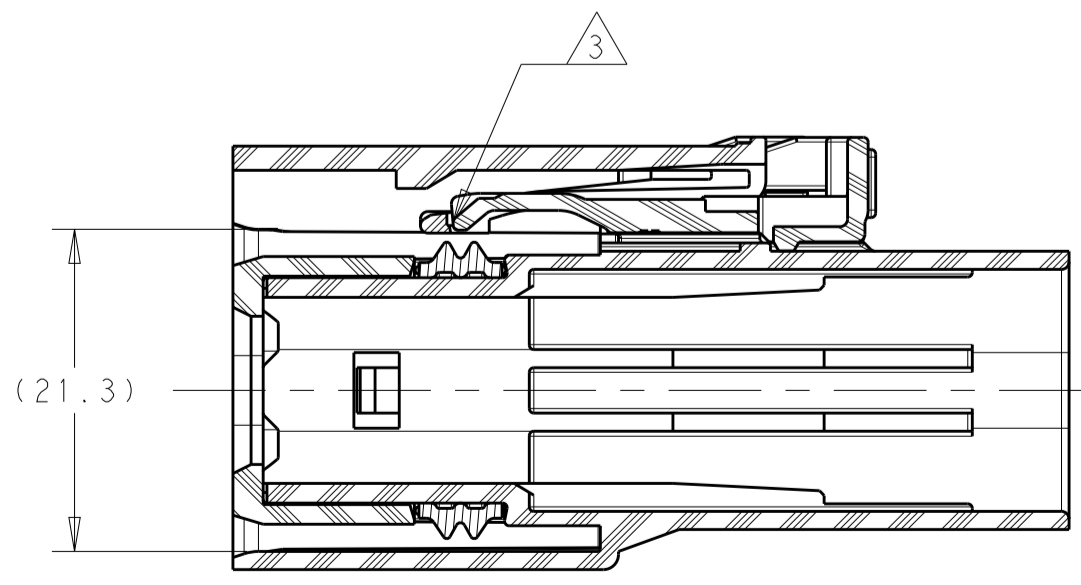
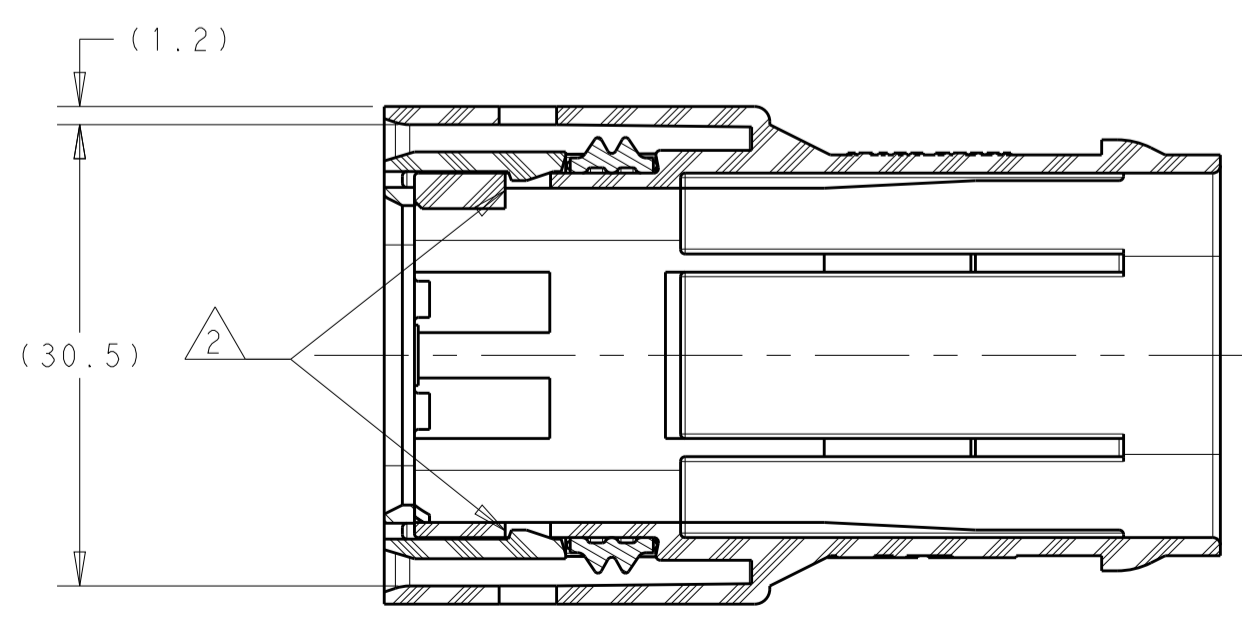
LOC		DIST		REVISIONS			
P	LTN	DESCRIPTION	DATE	DWN	APVD		
A		ECO-14-001314	27JAN2014	DR	DR		



- 1. CONNECTOR MUST BE FREE OF ANY MECHANICAL DEFECTS WHICH COULD NEGATIVELY AFFECT FIT, FUNCTION, OR PERFORMANCE
- 2 PERIPHERAL SEAL RETAINER MUST BE FULLY LOCKED IN TWO LOCATIONS INTO OUTER HOUSING
- 3 CPA MUST BE INSTALLED IN PRE-STAGE POSITION AS SHOWN
- 4 JULIAN DATE CODE IN THIS LOCATION AT ASSEMBLY
- 5 TE PART NUMBER IN THIS LOCATION AT ASSEMBLY (VARIABLE)



2103534-1 SHOWN



INDEX CODE	WEIGHT	PART NO
F	14.39 g	2103534-6
E	14.30 g	2103534-5
D	14.64 g	2103534-4
B	14.62 g	2103534-2
A	14.48 g	2103534-1

THIS DRAWING IS A CONTROLLED DOCUMENT. DWN: D. RHEIN 04SEP2013, CHK: D. RHEIN 04SEP2013, APVD: A. GUANCO 04SEP2013

STE TE Connectivity

NAME: PLUG SUB-ASSEMBLY HVA280

SIZE: A, CAGE CODE: 100779, DRAWING NO: 2103534

MATERIAL: SEE TABLE, FINISH: SEE TABLE, WEIGHT: SEE TABLE

Customer Drawing, SCALE: 2:1, SHEET: 1 OF 1, REV: A

X-ON Electronics

Largest Supplier of Electrical and Electronic Components

Click to view similar products for [Automotive Connectors](#) category:

Click to view products by [TE Connectivity](#) manufacturer:

Other Similar products are found below :

[003-018-000](#) [60403001](#) [60993906-B](#) [M902-2131](#) [M902-2161](#) [M902-2344](#) [72.330.1035.1](#) [73.353.4028.0](#) [F119300-B](#) [F166900](#) [F258300-B](#)
[F358300-B](#) [F407400](#) [F444110](#) [F487000](#) [F509500B-B](#) [827153-1](#) [8N1515-32-24P](#) [9-1326729-8](#) [925474-1](#) [928905-1](#) [964562-4](#) [968782-1](#)
[GT17SA-8DS-HU](#) [98891-1012](#) [98947-1016](#) [12004147](#) [12004475-L](#) [12010290](#) [12010309-B](#) [12015454](#) [12020219-B](#) [12041318-B](#) [12052225-](#)
[L](#) [12052466](#) [12064869](#) [12004327-B](#) [12015308](#) [12015384](#) [12015909](#) [1-21030-1](#) [12041254](#) [12041318](#) [12047946-B](#) [12047957](#) [12047957-L](#)
[12059473](#) [12066261](#) [12110546](#) [12110546-B](#)