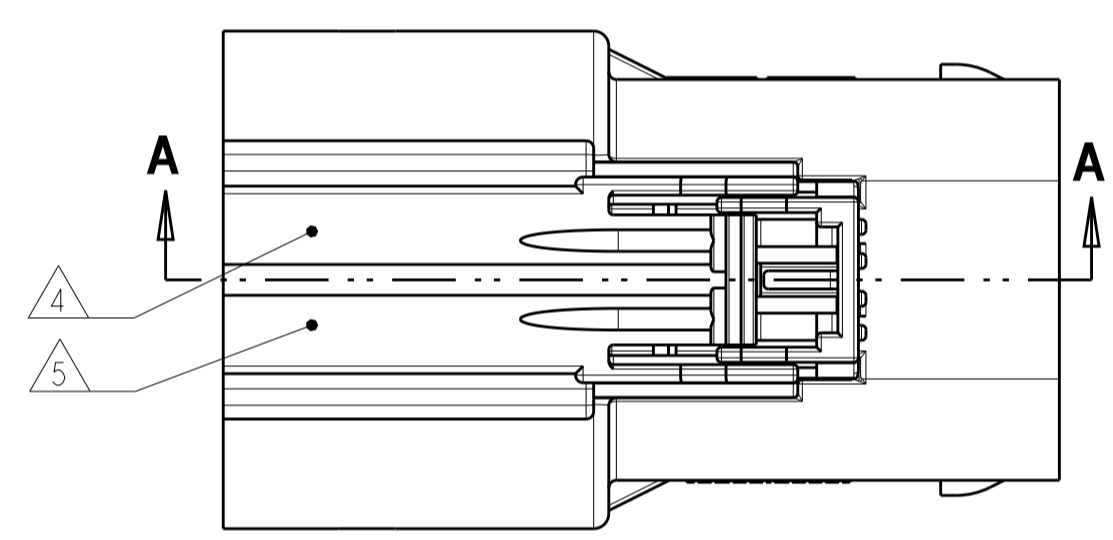
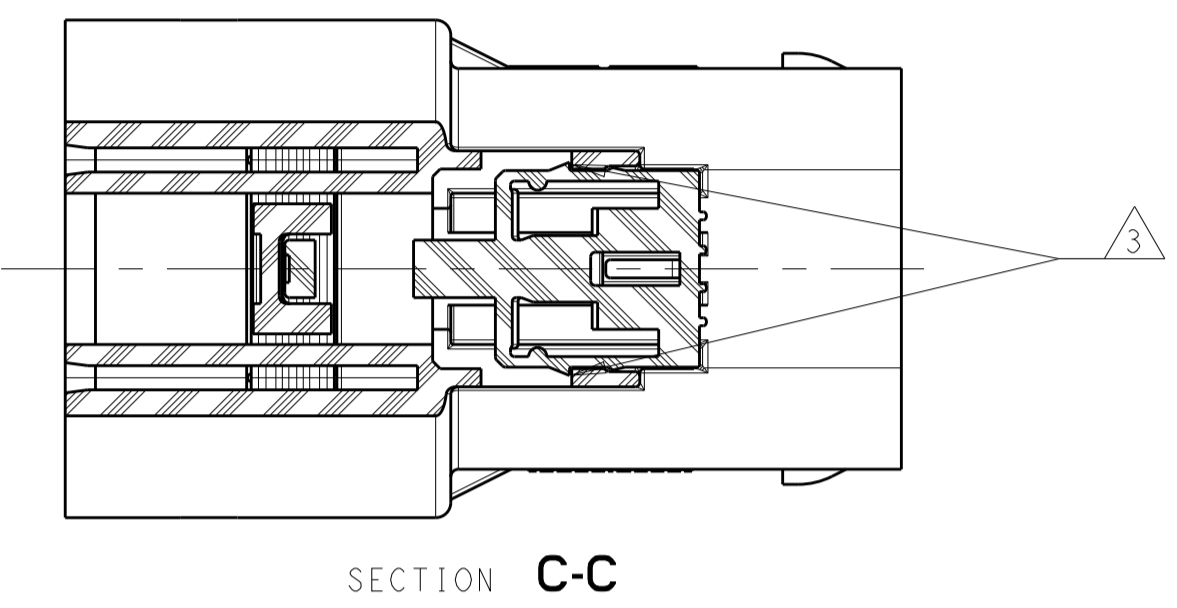
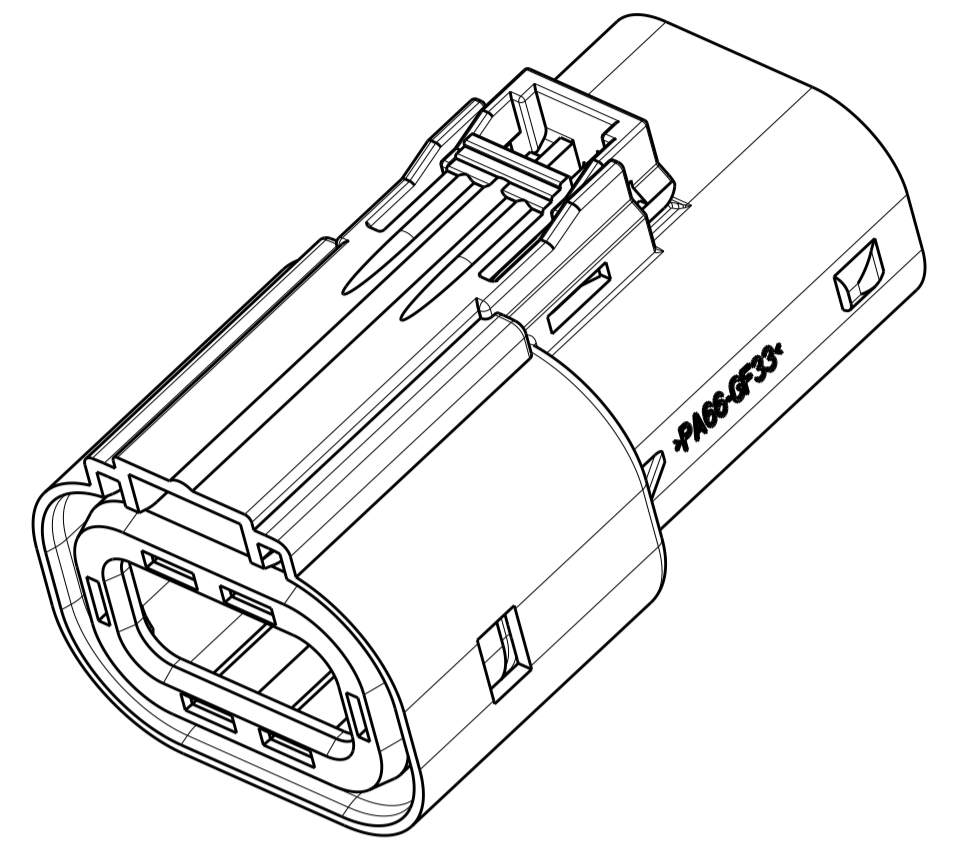
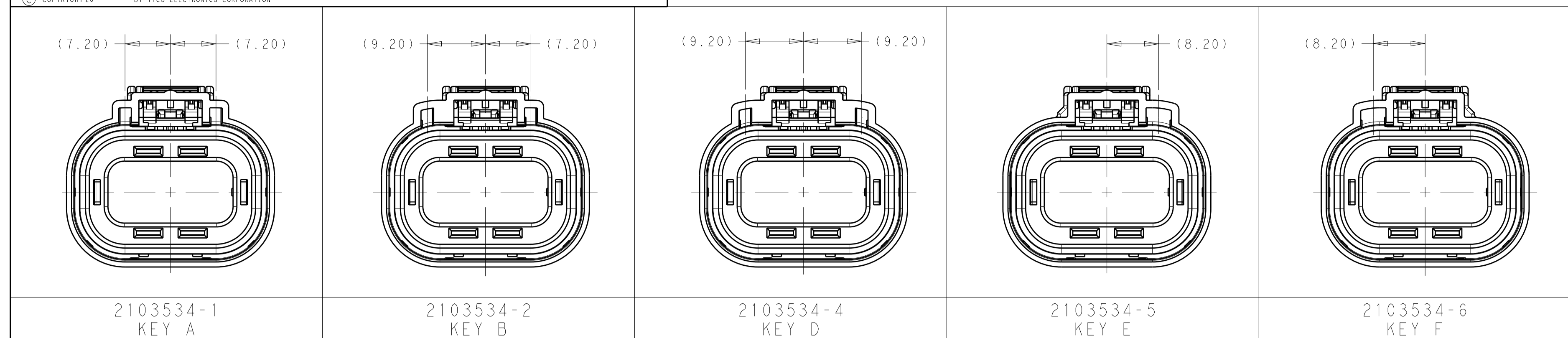
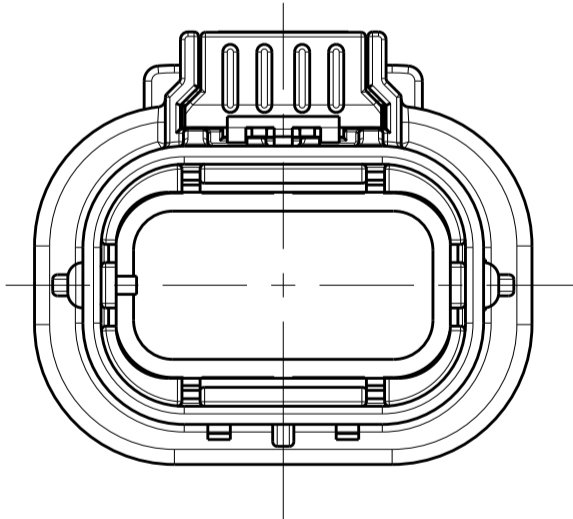
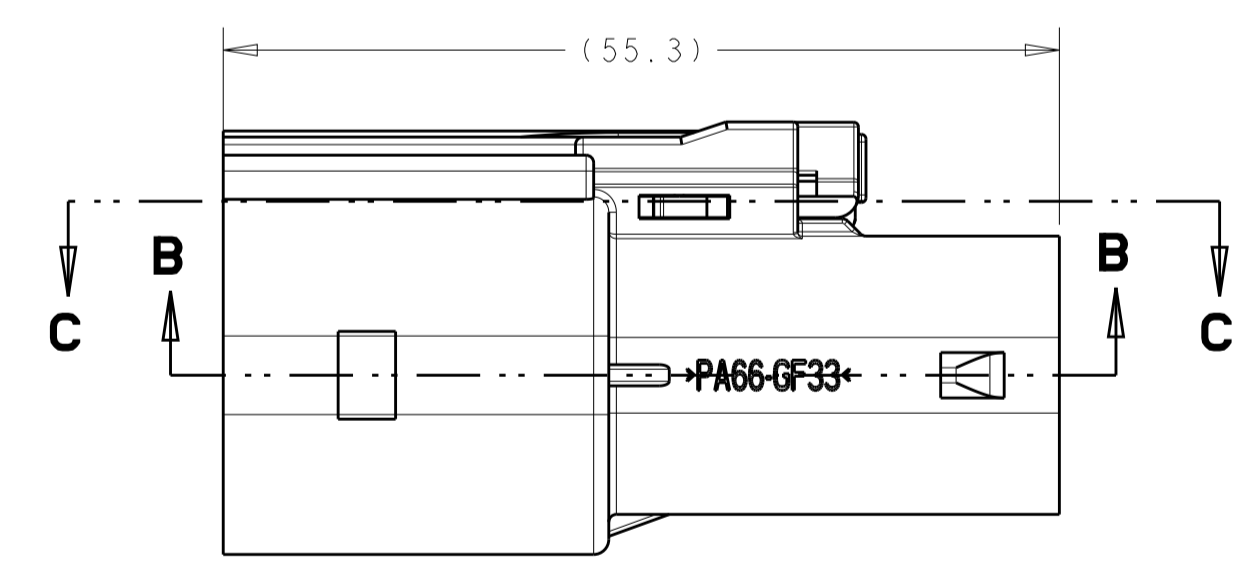
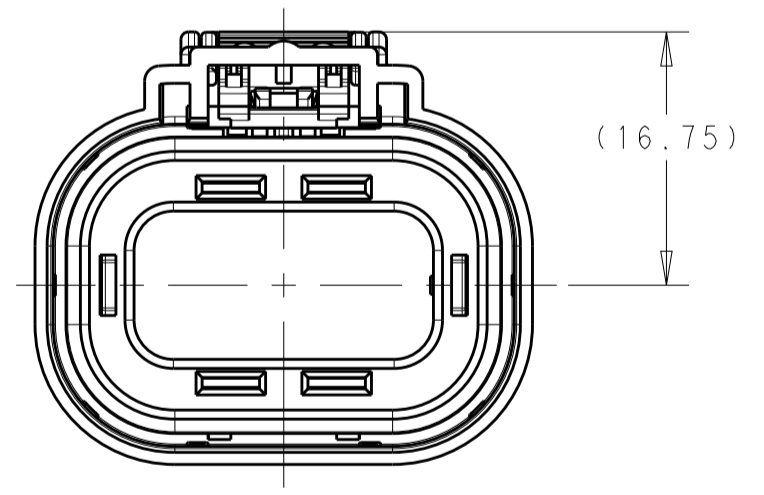


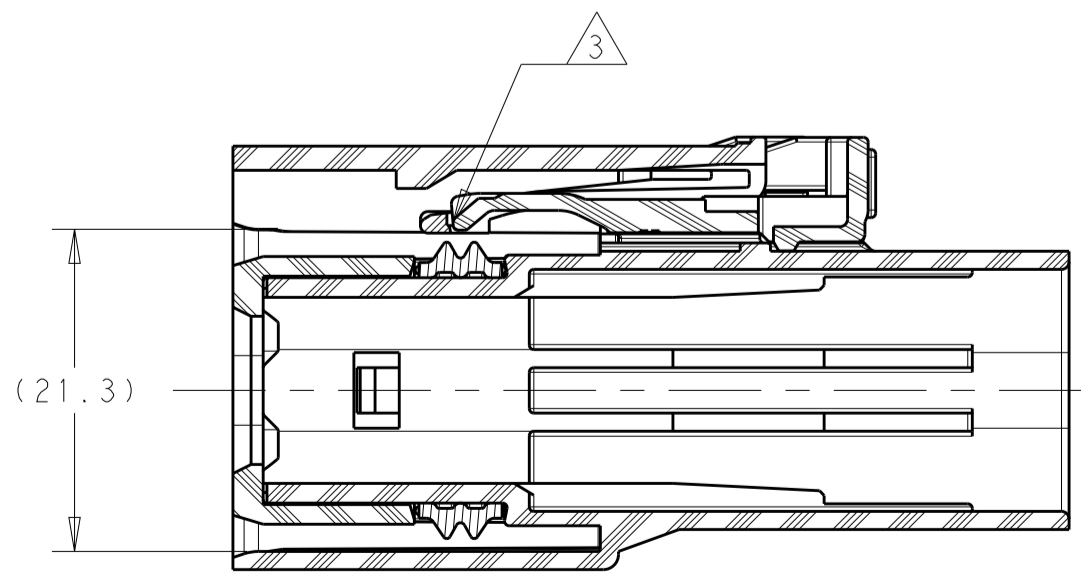
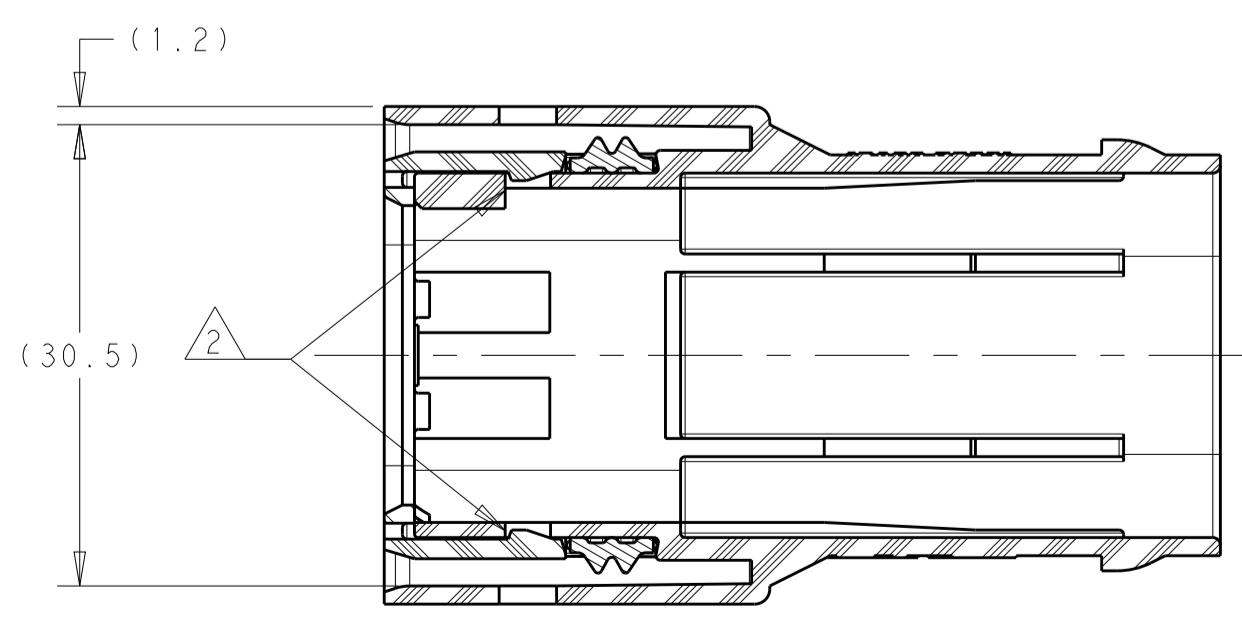
LOC		DIST		REVISIONS			
P	LTN	DESCRIPTION	DATE	DWN	APVD		
A		ECO-14-001314	27JAN2014	DR	DR		



- CONNECTOR MUST BE FREE OF ANY MECHANICAL DEFECTS WHICH COULD NEGATIVELY AFFECT FIT, FUNCTION, OR PERFORMANCE
- PERIPHERAL SEAL RETAINER MUST BE FULLY LOCKED IN TWO LOCATIONS INTO OUTER HOUSING
- CPA MUST BE INSTALLED IN PRE-STAGE POSITION AS SHOWN
- JULIAN DATE CODE IN THIS LOCATION AT ASSEMBLY
- TE PART NUMBER IN THIS LOCATION AT ASSEMBLY (VARIABLE)



2103534-1 SHOWN



INDEX CODE	WEIGHT	PART NO
F	14.39 g	2103534-6
E	14.30 g	2103534-5
D	14.64 g	2103534-4
B	14.62 g	2103534-2
A	14.48 g	2103534-1

THIS DRAWING IS A CONTROLLED DOCUMENT.

DWN: D. RHEIN 04SEP2013  
 CHK: D. RHEIN 04SEP2013  
 APVD: A. GUANCO 04SEP2013

TE Connectivity

NAME: PLUG SUB-ASSEMBLY HVA280

SIZE: A1 CAGE CODE: 100779 DRAWING NO: 2103534

RESTRICTED TO: Customer Drawing

SCALE: 2:1 SHEET 1 OF 1 REV A

## X-ON Electronics

Largest Supplier of Electrical and Electronic Components

*Click to view similar products for [Heavy Duty Power Connectors](#) category:*

*Click to view products by [TE Connectivity](#) manufacturer:*

Other Similar products are found below :

[647757-1](#) [6643411-1](#) [6646058-2](#) [6646137-1](#) [6646138-1](#) [6646479-1](#) [6646608-1](#) [6646786-1](#) [6646940-1](#) [6651091-1](#) [6651525-1](#) [6651529-1](#)  
[6651788-1](#) [696475-1](#) [702-32-01109](#) [703-25-02205](#) [73000005059](#) [73000005642](#) [73080255059](#) [73080965046](#) [765-15-0080A](#) [765-16-0080B](#)  
[765-18-0080D](#) [829992-1](#) [902-77-02113](#) [PS00/A0620/6300](#) [PS25/A0420/63](#) [129-1J](#) [1409400](#) [AN0024023](#) [E6374G1](#) [e6389g2](#) [157-43GW8](#)  
[MS3117-14AC](#) [1643543-1](#) [1650540-1](#) [1651811-2](#) [1766260-1](#) [1766282-1](#) [1766966-1](#) [1791340000](#) [NLDFT-3-BL-L-S120-M40A](#) [NLDFT-N-](#)  
[W-L-C240-M40B](#) [NLS-2-R-C240-M40B](#) [NLS-N-W-C240-M40B](#) [NPS-3-BL-T6](#) [1986615-1](#) [2-1589900-8](#) [2199314-1](#) [KA8102](#)