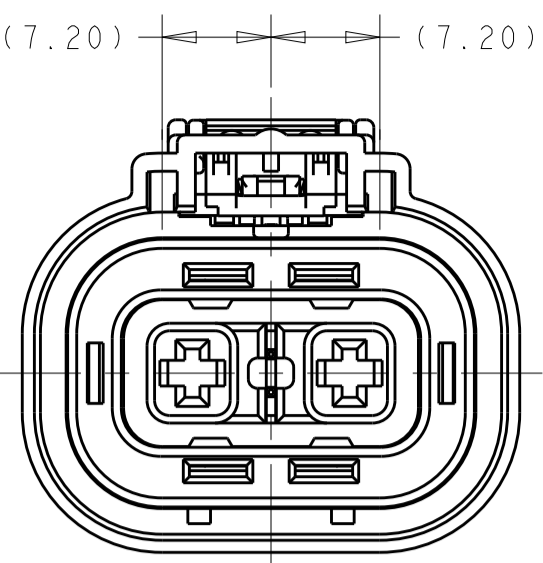
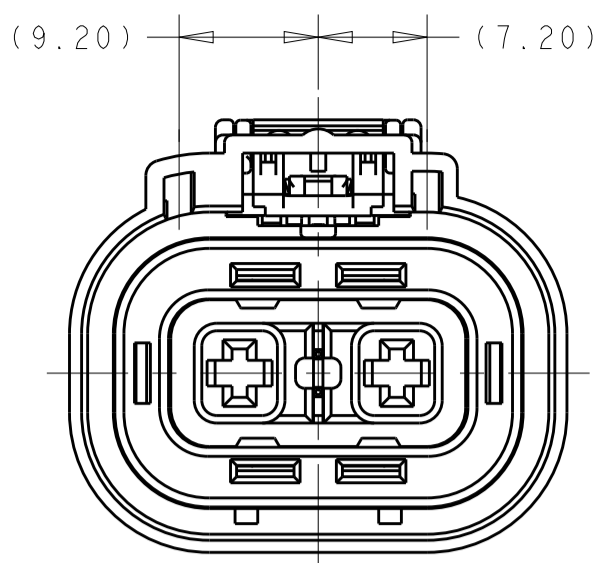


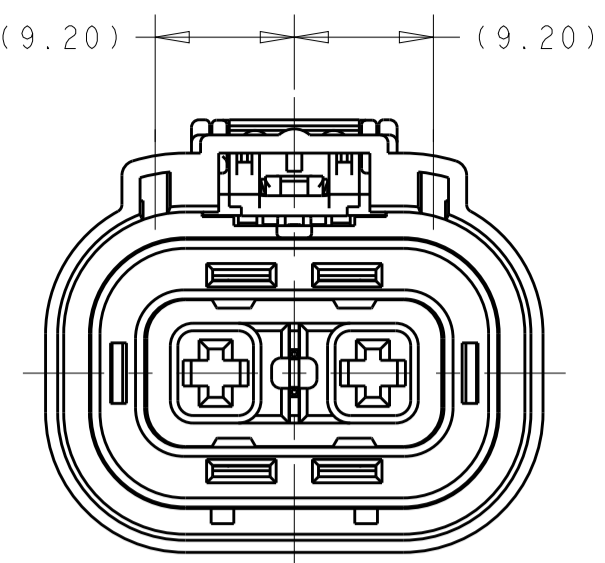
REVISIONS				
P.	LTN.	DESCRIPTION	DATE	APVD.
1		INITIAL DRAWING	09APR2014	VA AT
A		ECO-14-018972	29DEC2014	DS AT
A1		ECO-16-018267	19DEC2016	DS AT



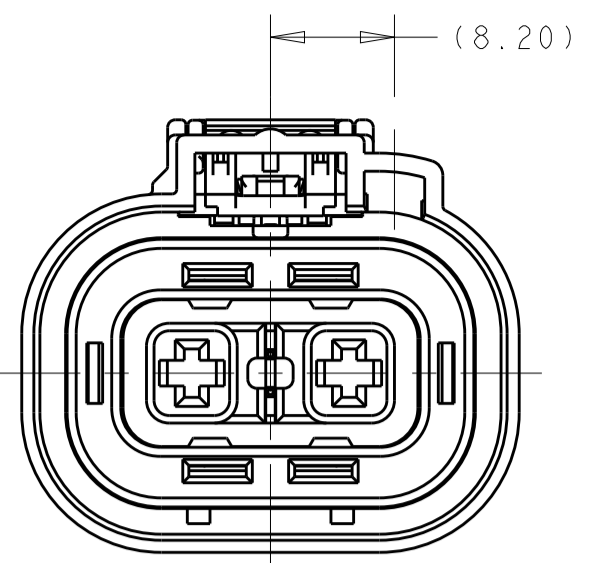
KEY A  
2103628-1



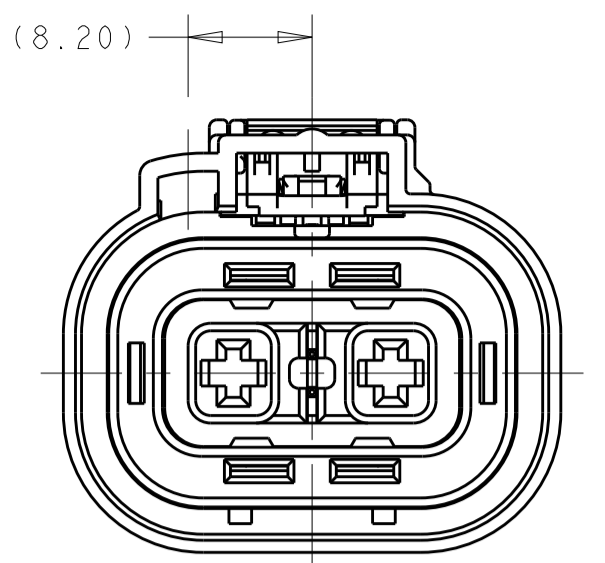
KEY B  
2103628-2



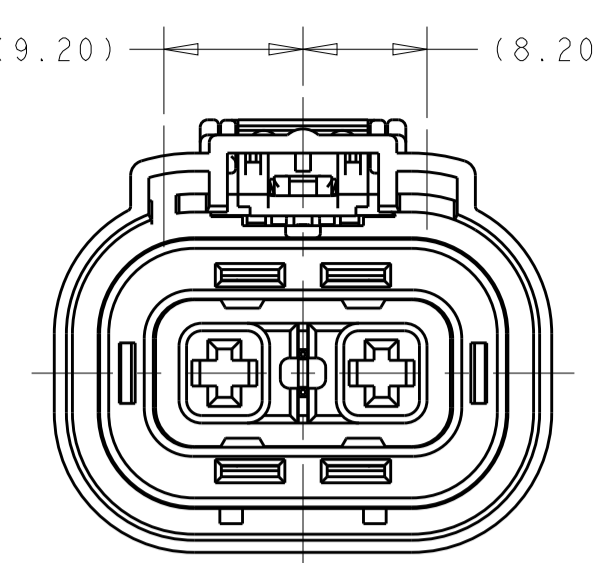
KEY D  
2103628-4



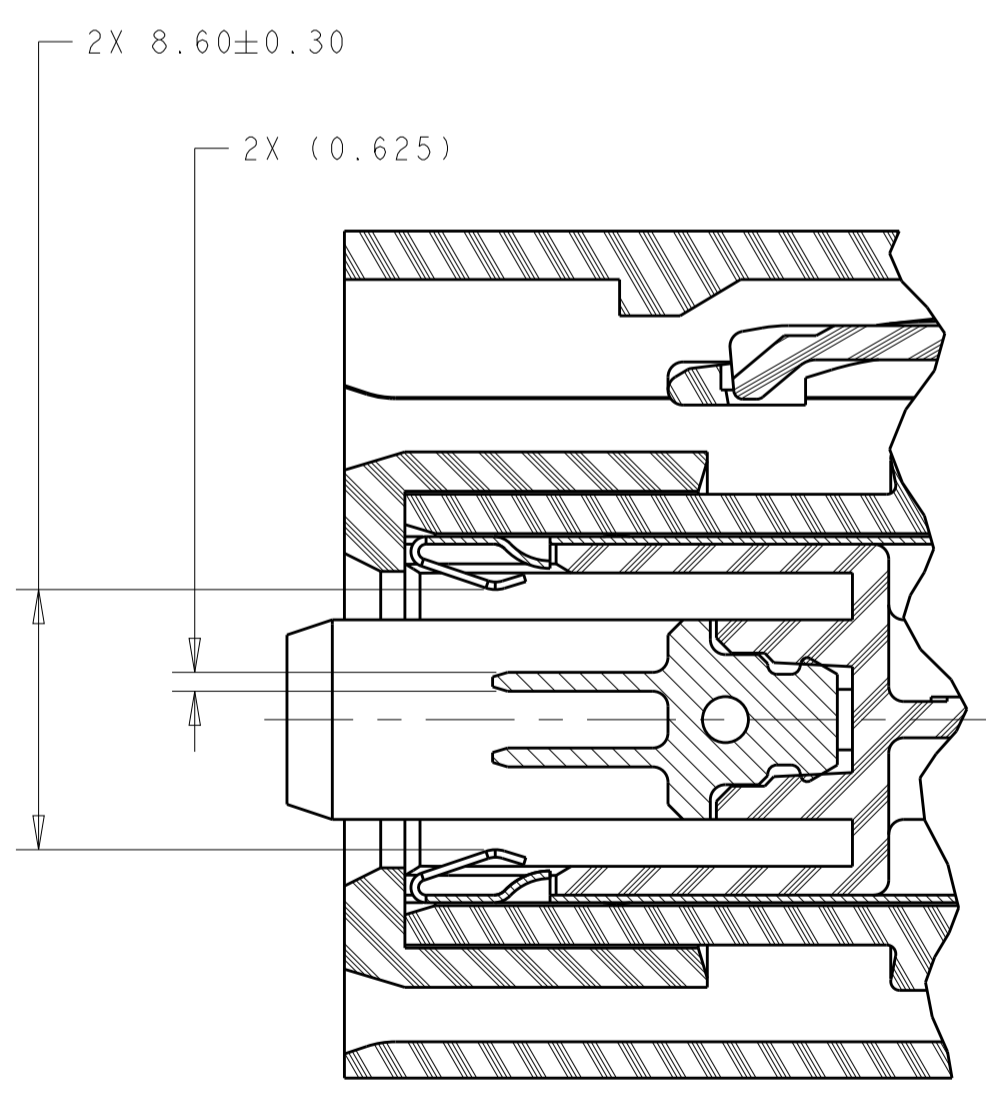
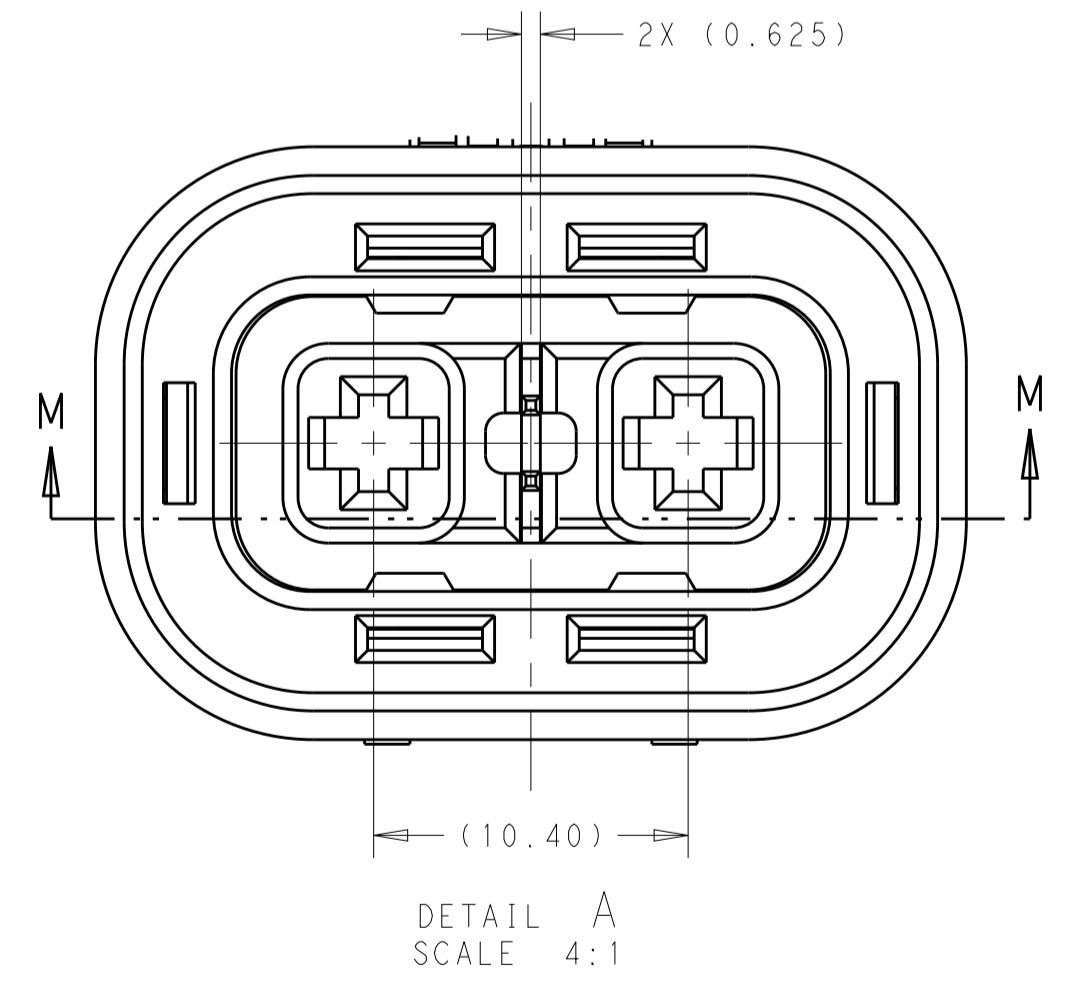
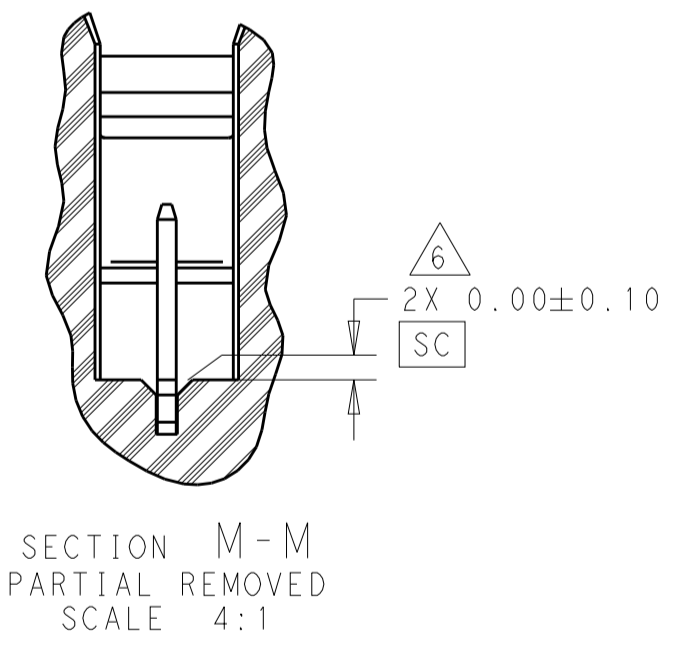
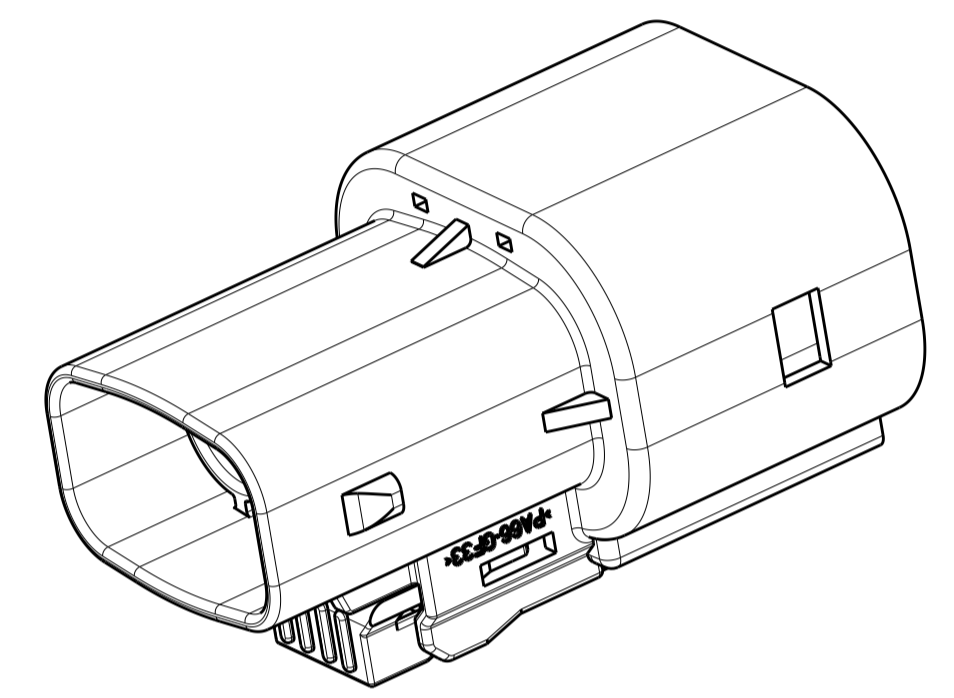
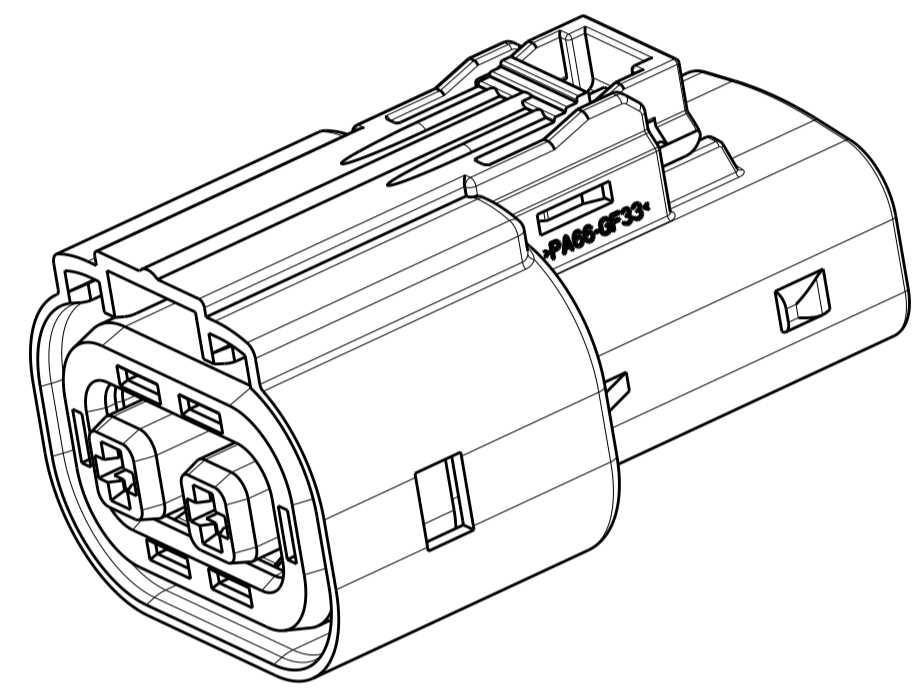
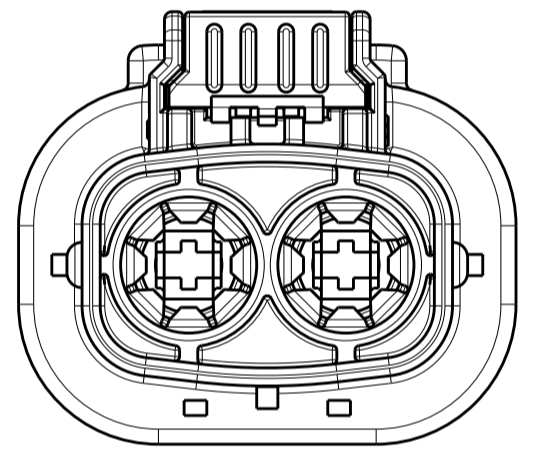
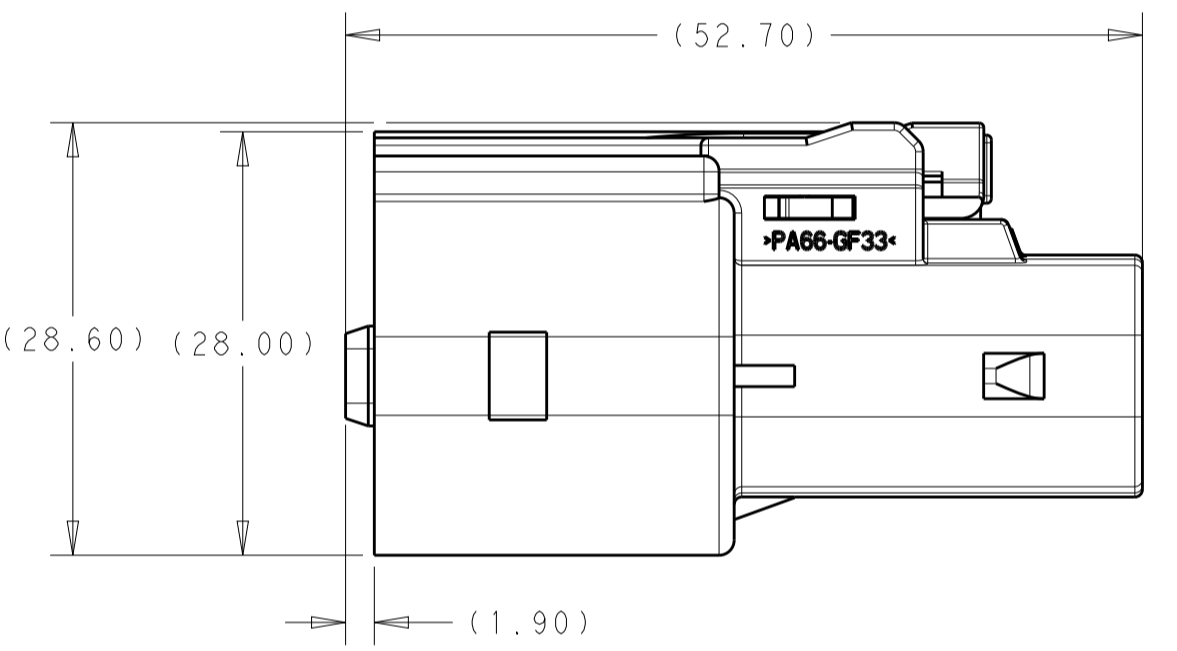
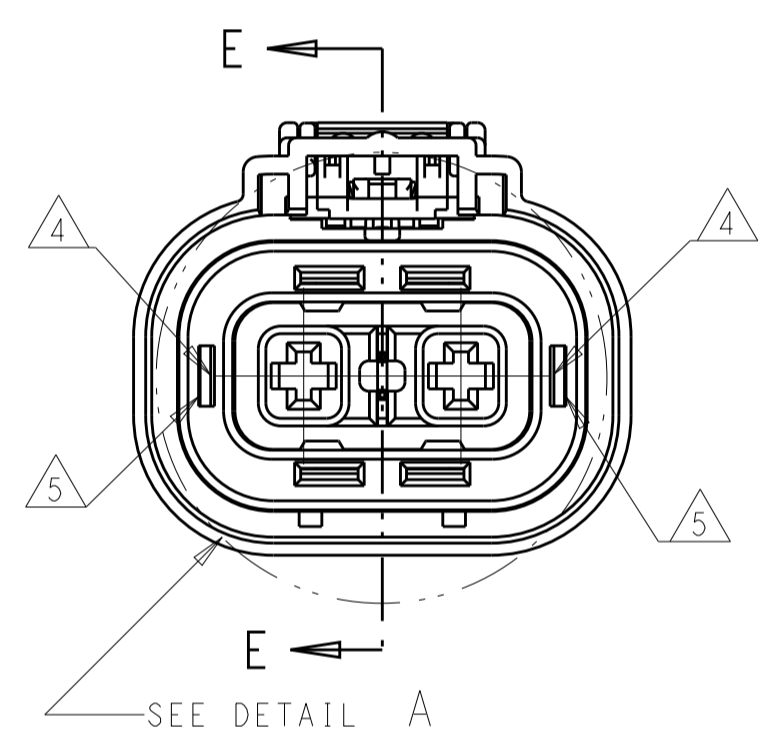
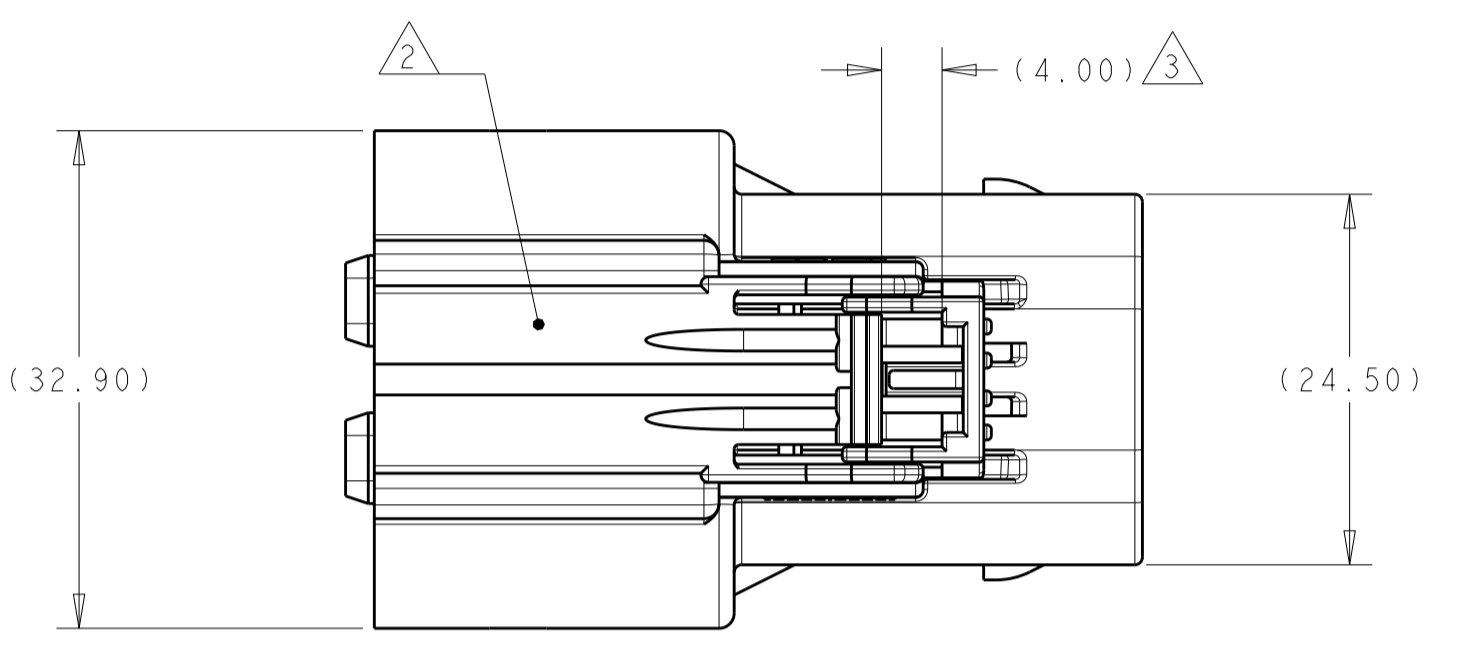
KEY E  
2103628-5



KEY F  
2103628-6



KEY G  
2103628-7



1. CONNECTOR MUST BE FREE OF ANY MECHANICAL DEFECTS WHICH MAY AFFECT FIT, FORM, OR PERFORMANCE
2. PART NUMBER AND JULIAN DATE CODE MARKED IN THIS AREA
3. CPA MUST BE INSTALLED IN PRE-STAGE POSITION AS SHOWN.
4. INNER HOUSING SUB ASSEMBLY MUST BE FULLY LOCKED PRIOR TO ASSEMBLY IN TWO LOCATIONS INTO OUTER HOUSING. INSPECTION PRIOR TO ASSEMBLY OF PERIPHERAL SEAL RETAINER PERMITTED
5. PERIPHERAL SEAL RETAINER MUST BE FULLY LOCKED IN TWO LOCATIONS INTO OUTER HOUSING.
6. MEASURE EACH STAMPING SHOULDER FLUSH CONDITION TO NEIGHBORING PLASTIC SURFACE
7. NOTE DELETED

DESCRIPTION	PART NO
PLUG ASSY, KEY G, HVA280-2PHI SE	2103628-7
PLUG ASSY, KEY F, HVA280-2PHI SE	2103628-6
PLUG ASSY, KEY E, HVA280-2PHI SE	2103628-5
PLUG ASSY, KEY D, HVA280-2PHI SE	2103628-4
PLUG ASSY, KEY B, HVA280-2PHI SE	2103628-2
PLUG ASSY, KEY A, HVA280-2PHI SE	2103628-1

THIS DRAWING IS A CONTROLLED DOCUMENT.

DIMENSIONS:	TOLERANCES UNLESS OTHERWISE SPECIFIED:	OWN: VISHWA, A 09APR2014	CHK: D. SIMPSON 06MAY2014	APVD: A. TYLER 06MAY2014
mm	0 PLC ±0.2 1 PLC ±0.10 2 PLC ±0.10 3 PLC ±0.013 4 PLC ±0.0001 ANGLES ±1	NAME: PLUG ASSY, HVA280-2PHI SE		
MATERIAL:	FINISH:	SIZE: A1	CAGE CODE: C=2103628	RESTRICTED TO: -
Customer Drawing		SCALE: 2:1	SHEET: 1 OF 1	REV: A1

TE Connectivity

## X-ON Electronics

Largest Supplier of Electrical and Electronic Components

*Click to view similar products for [Automotive Connectors](#) category:*

*Click to view products by [TE Connectivity](#) manufacturer:*

Other Similar products are found below :

[003-018-000](#) [60403001](#) [60993906-B](#) [M902-2131](#) [M902-2161](#) [M902-2344](#) [72.330.1035.1](#) [73.353.4028.0](#) [F119300-B](#) [F166900](#) [F258300-B](#)  
[F358300-B](#) [F407400](#) [F444110](#) [F487000](#) [F509500B-B](#) [827153-1](#) [8N1515-32-24P](#) [9-1326729-8](#) [925474-1](#) [928905-1](#) [964562-4](#) [968782-1](#)  
[GT17SA-8DS-HU](#) [98891-1012](#) [98947-1016](#) [12004147](#) [12004475-L](#) [12010290](#) [12010309-B](#) [12015454](#) [12020219-B](#) [12041318-B](#) [12052225-](#)  
[L](#) [12052466](#) [12064869](#) [12004327-B](#) [12015308](#) [12015384](#) [12015909](#) [1-21030-1](#) [12041254](#) [12041318](#) [12047946-B](#) [12047957](#) [12047957-L](#)  
[12059473](#) [12066261](#) [12110546](#) [12110546-B](#)