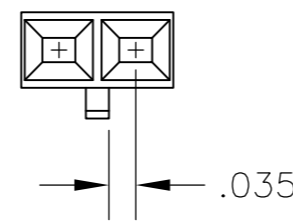
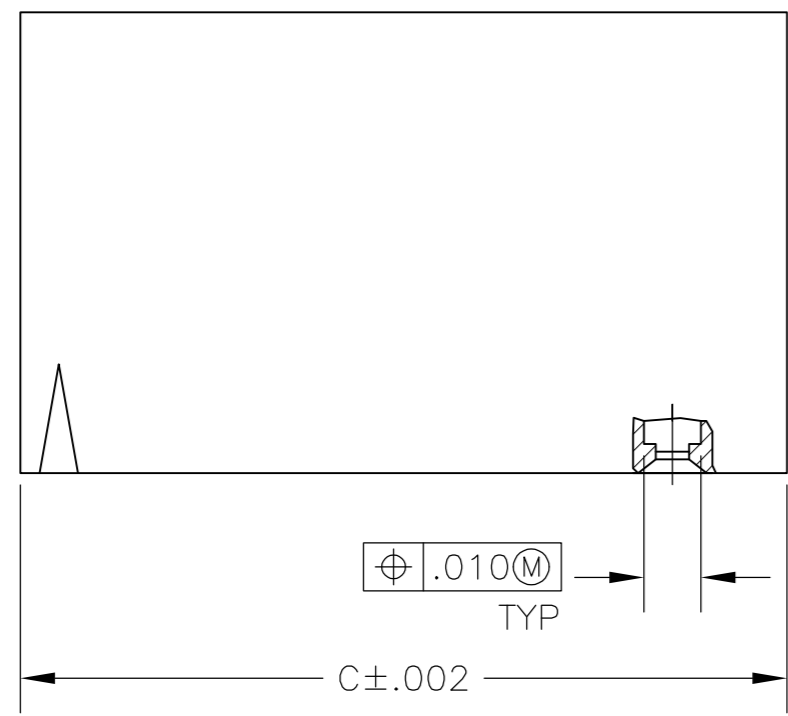
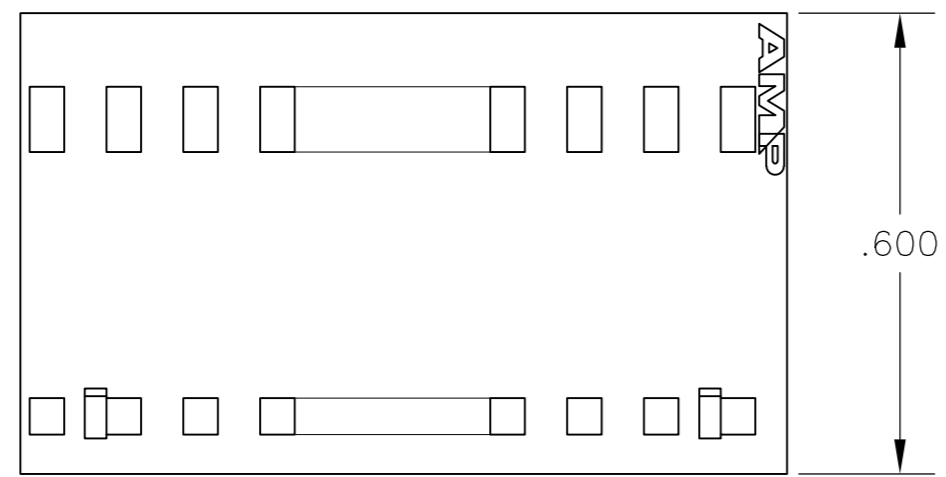
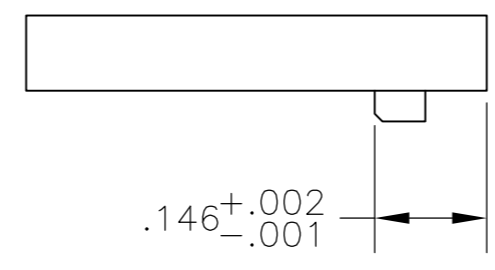
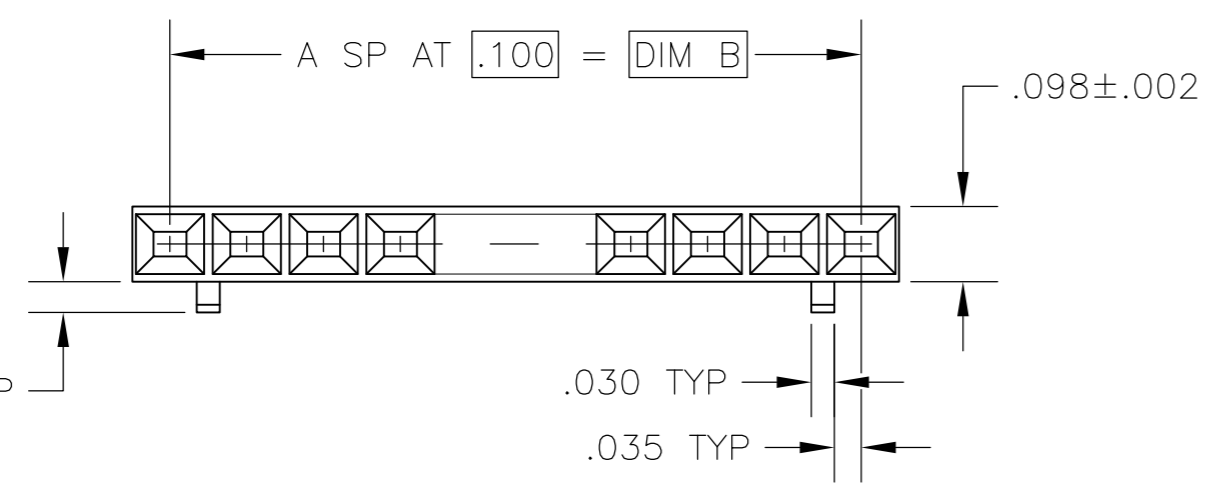


THIS DRAWING IS UNPUBLISHED. RELEASED FOR PUBLICATION  
 © COPYRIGHT - By - ALL RIGHTS RESERVED.

LOC	DIST	REVISIONS			
P	LTR	DESCRIPTION	DATE	DWN	APVD
AD	00	G2	REVISED PER ECO-12-013195	18JUL12	KH MM



DETAIL FOR -1 ONLY  
(2 POSITION)



2.498	2.400	24	25	2-104503-4
2.398	2.300	23	24	2-104503-3
1.998	1.900	19	20	1-104503-9
1.598	1.500	15	16	1-104503-5
1.498	1.400	14	15	1-104503-4
1.398	1.300	13	14	1-104503-3
1.298	1.200	12	13	1-104503-2
1.198	1.100	11	12	1-104503-1
1.098	1.000	10	11	1-104503-0
.998	.900	9	10	104503-9
.898	.800	8	9	104503-8
.798	.700	7	8	104503-7
.698	.600	6	7	104503-6
.598	.500	5	6	104503-5
.498	.400	4	5	104503-4
.398	.300	3	4	104503-3
.298	.200	2	3	104503-2
.198	.100	1	2	104503-1
C	B	A	NO OF POSN	PART NUMBER

THIS DRAWING IS A CONTROLLED DOCUMENT.		DWN D KEITZER 12-21-88														
DIMENSIONS: INCHES		CHK H. MOLL 12-22-88														
TOLERANCES UNLESS OTHERWISE SPECIFIED:		APVD C. SINISI 12-22-88	NAME													
<table border="1"> <tr><td>0 PLC</td><td>± -</td></tr> <tr><td>1 PLC</td><td>± -</td></tr> <tr><td>2 PLC</td><td>± -</td></tr> <tr><td>3 PLC</td><td>± .005</td></tr> <tr><td>4 PLC</td><td>± -</td></tr> <tr><td>ANGLES</td><td>± -</td></tr> </table>		0 PLC	± -	1 PLC	± -	2 PLC	± -	3 PLC	± .005	4 PLC	± -	ANGLES	± -	PRODUCT SPEC 108-25034	PIN HOUSING, AMPMODU® MTE, SINGLE ROW, .100 C/L, WITH GUIDE RIBS	
0 PLC	± -															
1 PLC	± -															
2 PLC	± -															
3 PLC	± .005															
4 PLC	± -															
ANGLES	± -															
MATERIAL FLAME RETARDANT THERMOPLASTIC, COLOR: BLACK		FINISH -	APPLICATION SPEC 114-25026	RESTRICTED TO -												
		WEIGHT -	SIZE A2	CAGE CODE 00779												
		CUSTOMER DRAWING	DRAWING NO C=104503	SCALE 4:1												
			SHEET 1 of 1	REV G2												

## X-ON Electronics

Largest Supplier of Electrical and Electronic Components

*Click to view similar products for [Headers & Wire Housings](#) category:*

*Click to view products by [TE Connectivity](#) manufacturer:*

Other Similar products are found below :

[95000-104TRLF](#) [10135584-644402LF](#) [DF62W-EP2022PCA](#) [95000-106TRLF](#) [DF62W-2022SCA](#) [DF62W-EP2022PC](#) [2203348](#) [DF62W-2022SC](#) [1084018](#) [1029039](#) [1084017](#) [802-10-012-10-002000](#) [1112640](#) [1112639](#) [000-34000](#) [0009482033](#) [0009507031](#) [57102-S06-03LF](#) [57202-S52-04LF](#) [PCN6-15S-2.5E](#) [0039019024](#) [58102-G61-06LF](#) [582553-1](#) [0009508121](#) [0050291907](#) [018731A](#) [LY20-4P-DT1-P1E-BR](#) [02.125.8002.8](#) [60101931](#) [60598-1 \(Cut Strip\)](#) [M1625-3R/100](#) [61062-3](#) [61082-181009](#) [636-1427](#) [638009-1](#) [641938-9](#) [641991-4](#) [644168-1](#) [647662-1](#) [65039-019ELF](#) [65817-002LF](#) [65817-015LF](#) [65863-015LF](#) [66207-023LF](#) [67016-026LF](#) [67046-001LF](#) [67095-007LF](#) [68002-116](#) [68016-236H](#) [68648-049](#)