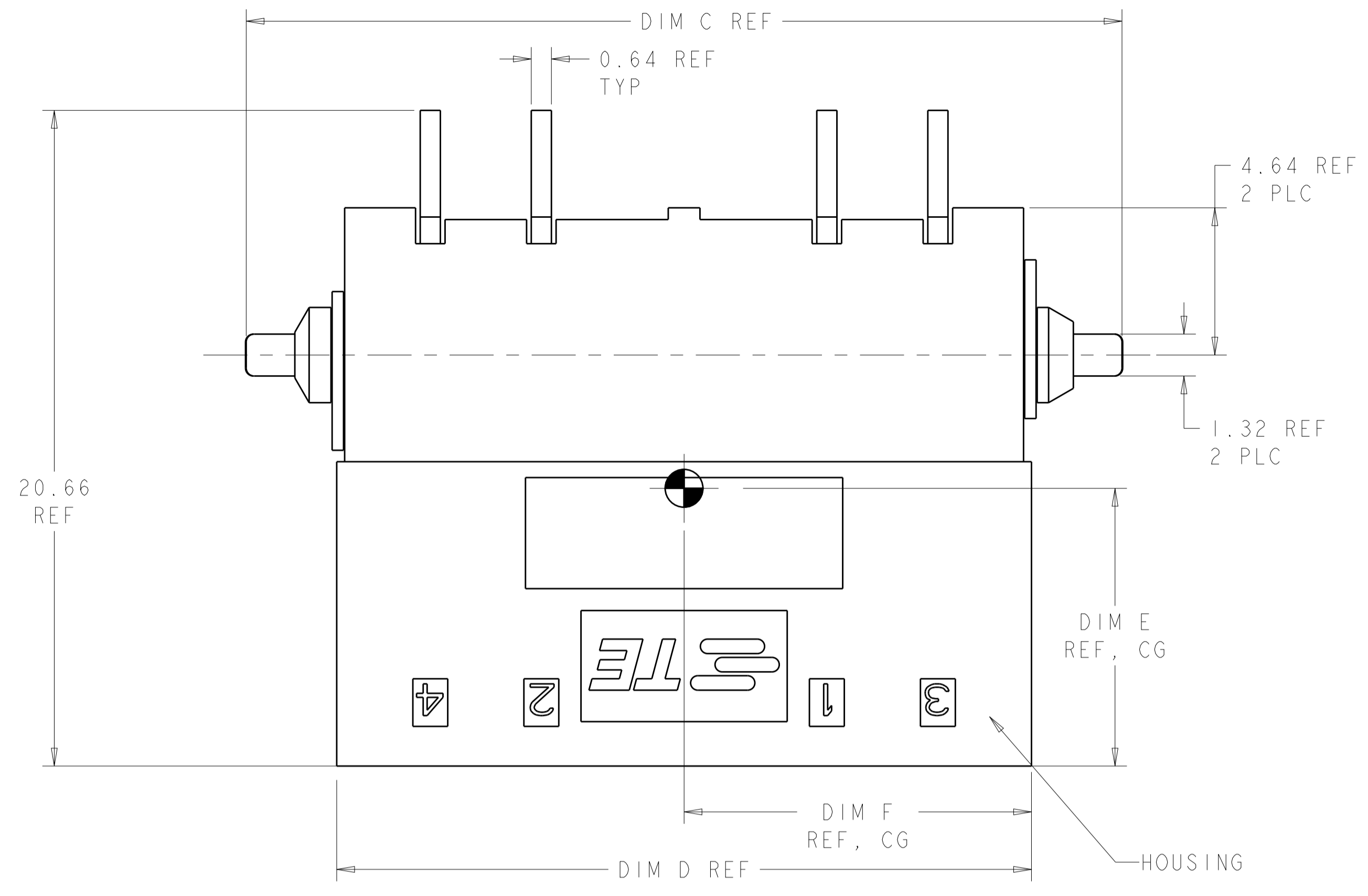
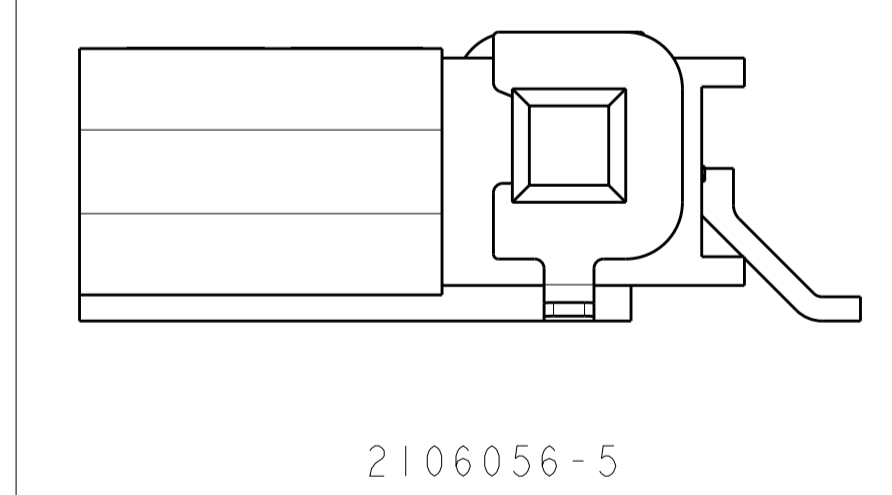
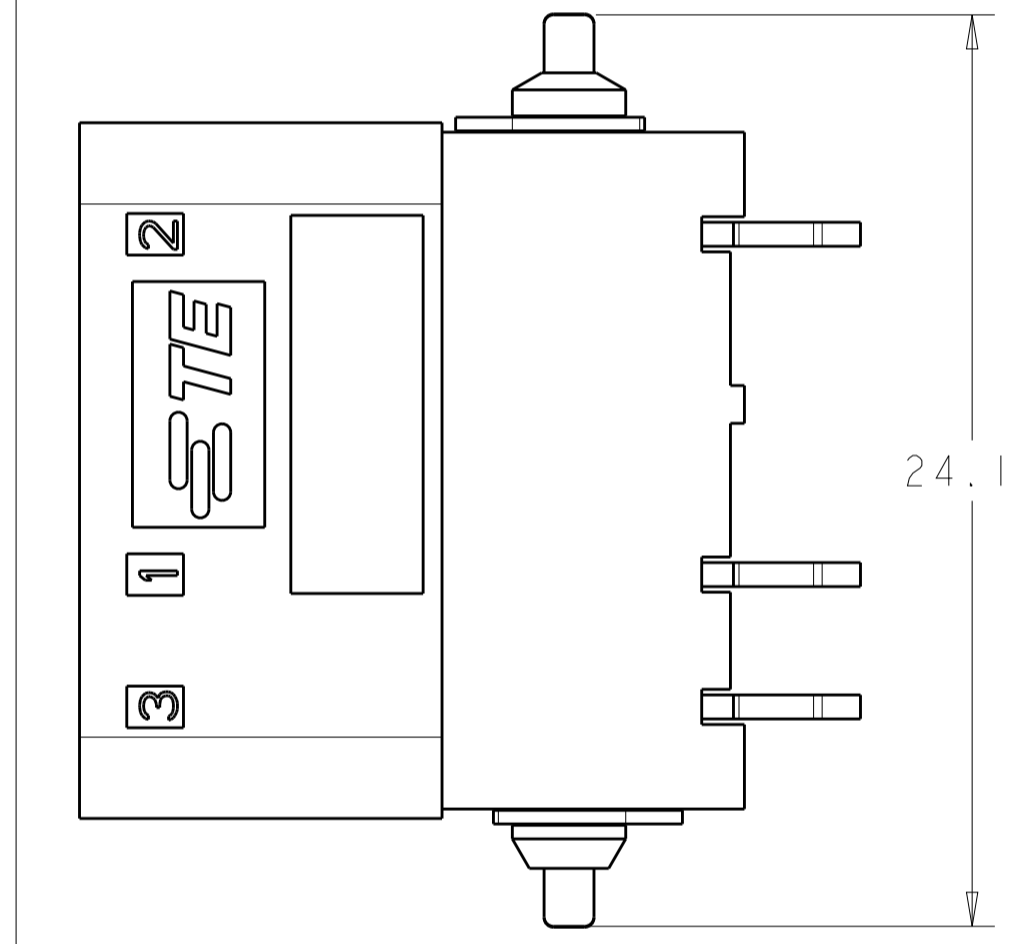
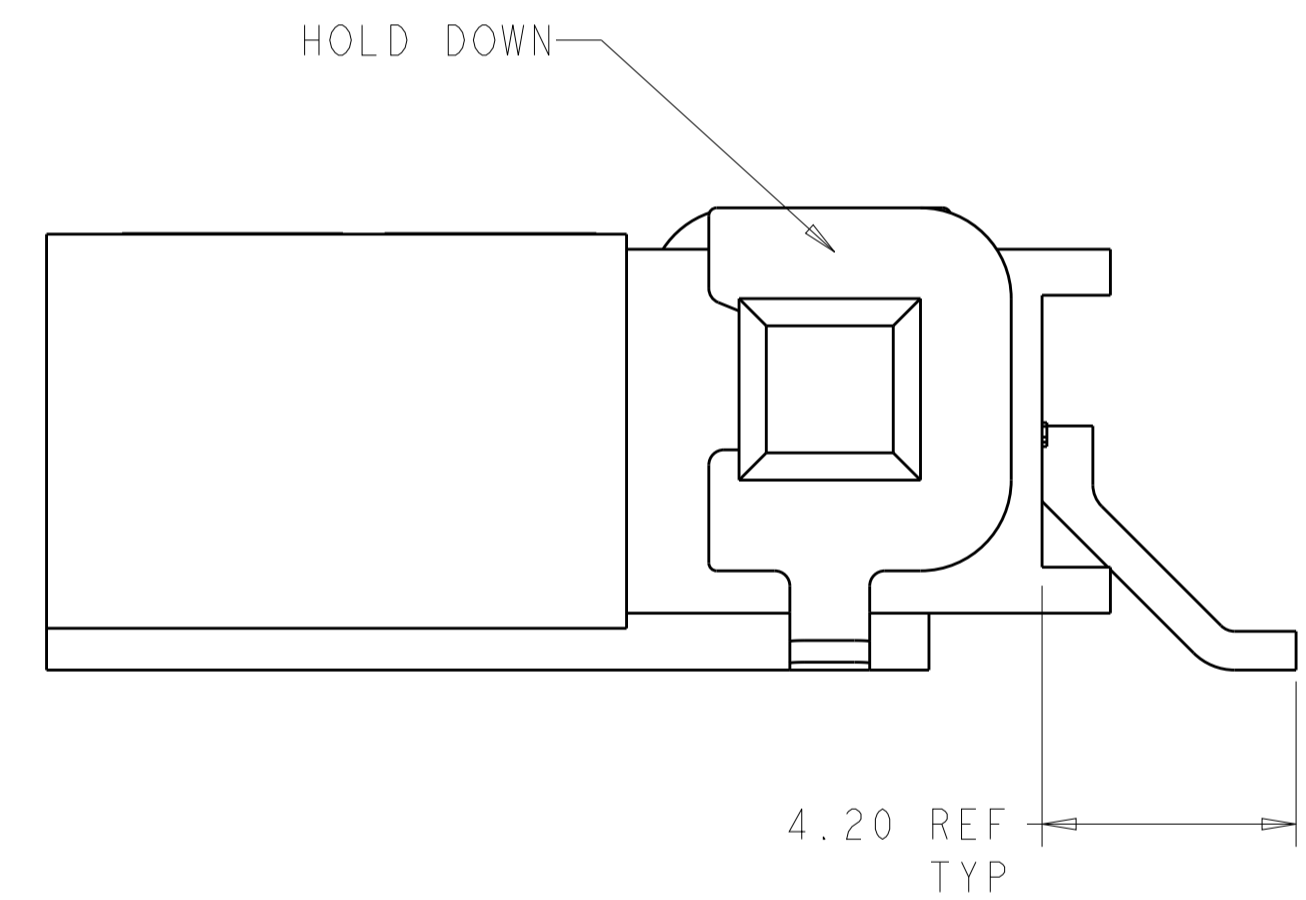
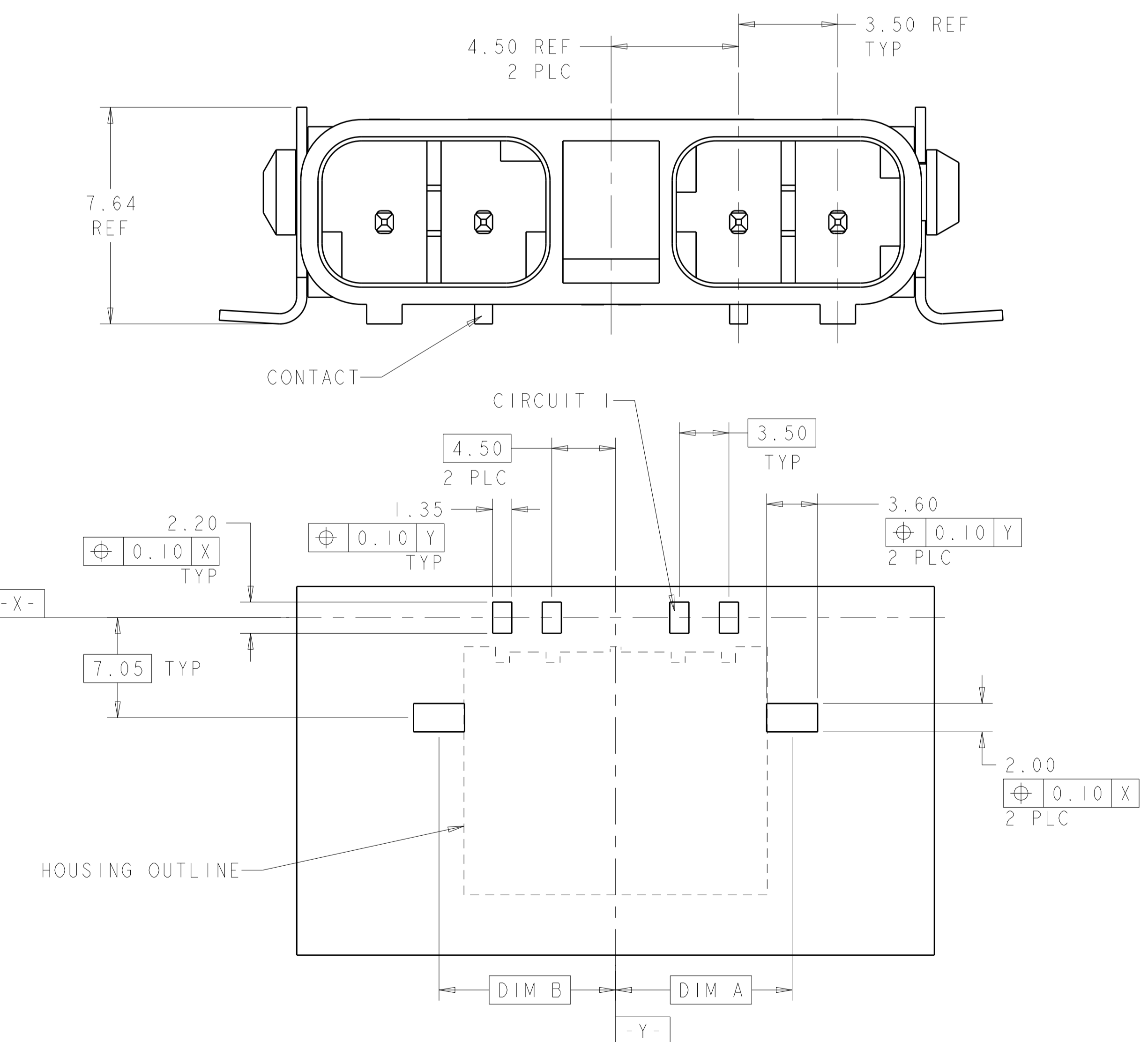
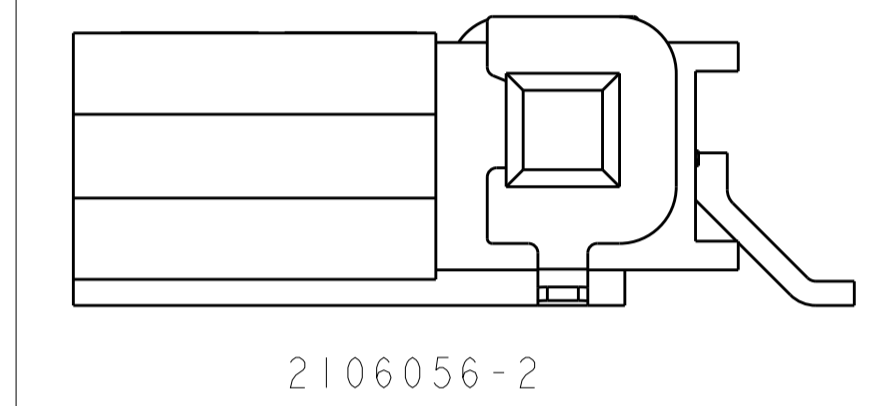
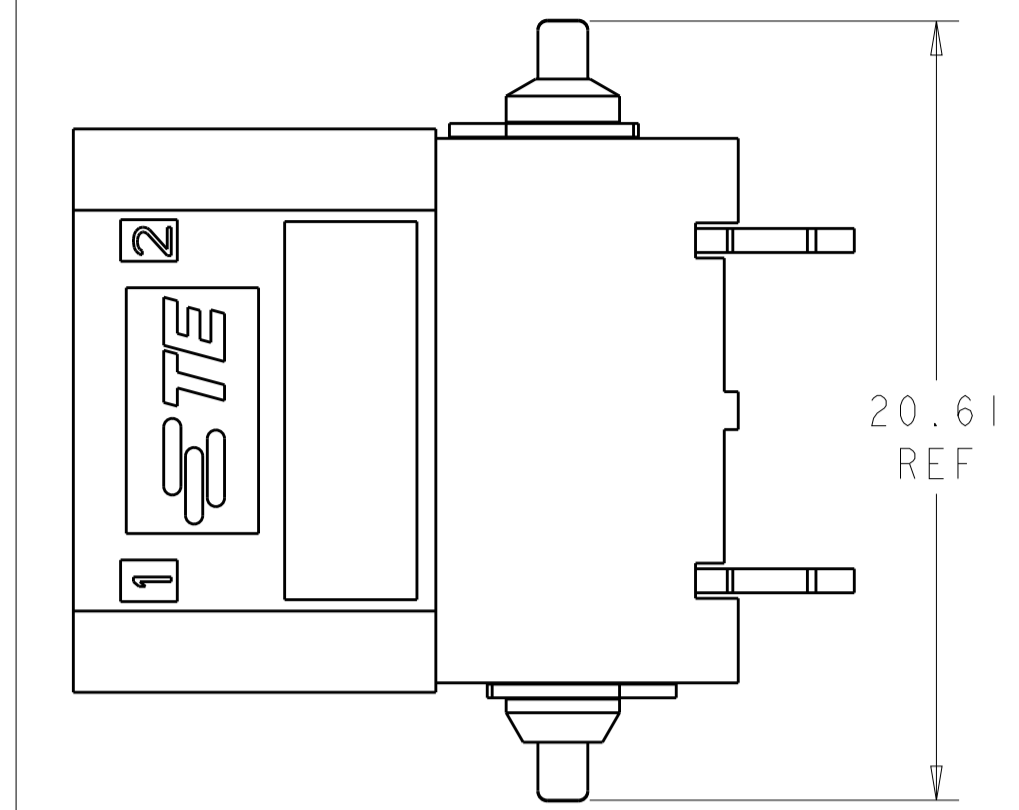


LOC	DIST	REVISIONS					
CM	00	P	LTN	DESCRIPTION	DATE	DWN	APVD
		A2		REVISED PER ECO-11-004820	11MAR2011	RK	HMR
		B		REVISED PER ECR-13-008007	17SEP2013	RS	DD



- ⚠ MATERIAL: HOUSING: LCP, COLOR: BLACK.
- CONTACTS: BRASS.
FINISH: 2.54µm MIN MATTE TIN OVER NICKEL (ENTIRE POST).
- HOLDDOWN: COPPER ALLOY.
FINISH: 2.54µm MIN MATTE TIN OVER NICKEL.
- 2. THIS PRODUCT HAS NOT COMPLETED VALIDATION TESTING.
- ⚠ RECOMMENDED PC BOARD THICKNESS OF 1.57.
- 4. TAPE AND REEL PACKAGING PER EIA-481 SPEC.
- 5. MUST COMPLY WITH DIRECTIVE 2002/95/EC (ROHS).



10.94	10.81	21.90	27.61	12.46	12.46	4	2106056-8
9.19	10.68	18.40	24.11	8.96	12.46	3	2106056-5
7.44	10.51	14.90	20.61	8.96	8.96	2	2106056-2
DIM F	DIM E	DIM D	DIM C	DIM B	DIM A	POSN	PART NUMBER

RECOMMENDED PC BOARD PAD LAYOUT, COMPONENT SIDE ⚠
 DIMENSIONS APPLY TO ALL POSITIONS UNLESS OTHERWISE NOTED

THIS DRAWING IS A CONTROLLED DOCUMENT. DWN: HM VAN SCIO, 26FEB2009
 CHK: A. BUCHER, 26FEB2009
 APVD: A. BUCHER, 26FEB2009

STE TE Connectivity

ASSEMBLY
 RIGHT ANGLE SMT HEADER
 SLIMSEAL SSL CONNECTOR

PRODUCT SPEC: 108-2391
 APPLICATION SPEC: 114-13261
 WEIGHT: -
 CUSTOMER DRAWING

SCALE: 4:1 SHEET 1 OF 1 REV B

X-ON Electronics

Largest Supplier of Electrical and Electronic Components

Click to view similar products for [Lighting Connectors](#) category:

Click to view products by [TE Connectivity](#) manufacturer:

Other Similar products are found below :

[293300-7](#) [293660-5](#) [CNX_H03_NTP](#) [30-9767-BU](#) [3605](#) [3-21030-1](#) [ZCH-110-RGB-I](#) [503471-0290](#) [ZCH-110-RGB-J](#) [217-0716-200](#)
[1954563-1](#) [1-293657-2](#) [2834036-1](#) [2834037-1](#) [1-2213222-4](#) [2-2213222-4](#) [2213222-4](#) [2834122-3](#) [2834122-5](#) [2834135-2](#) [FLA-R4142-30](#)
[FLA-R4162-30](#) [FLA-R2142-30](#) [FLA-R2141-30](#) [FLA-R2162-30](#) [FLA-R2161-30](#) [FLA-R0161-30](#) [FLA-R0141-30](#) [FLA-R0142-30](#) [FLA-](#)
[R0162-30](#) [FLA-C00-00](#) [DGA00010553](#) [CNXV04NTP](#) [104128-0610](#) [503485-0000 \(Cut Strip\)](#) [503485-0000 \(Loose Piece\)](#) [503485-0000](#)
[\(MINI Reel\)](#) [1-2834074-2](#) [1-2834074-3](#) [1357-AC PLUG W2C \(CHINA\)](#) [1357-AC PLUG W2 \(USA\)](#) [104266-0110](#) [CNXV02NTP](#) [2106212-1](#)
[2-2834074-2](#) [104266-0210](#) [293470-1](#) [293651-2](#) [293651-4](#) [1-2834006-2](#)