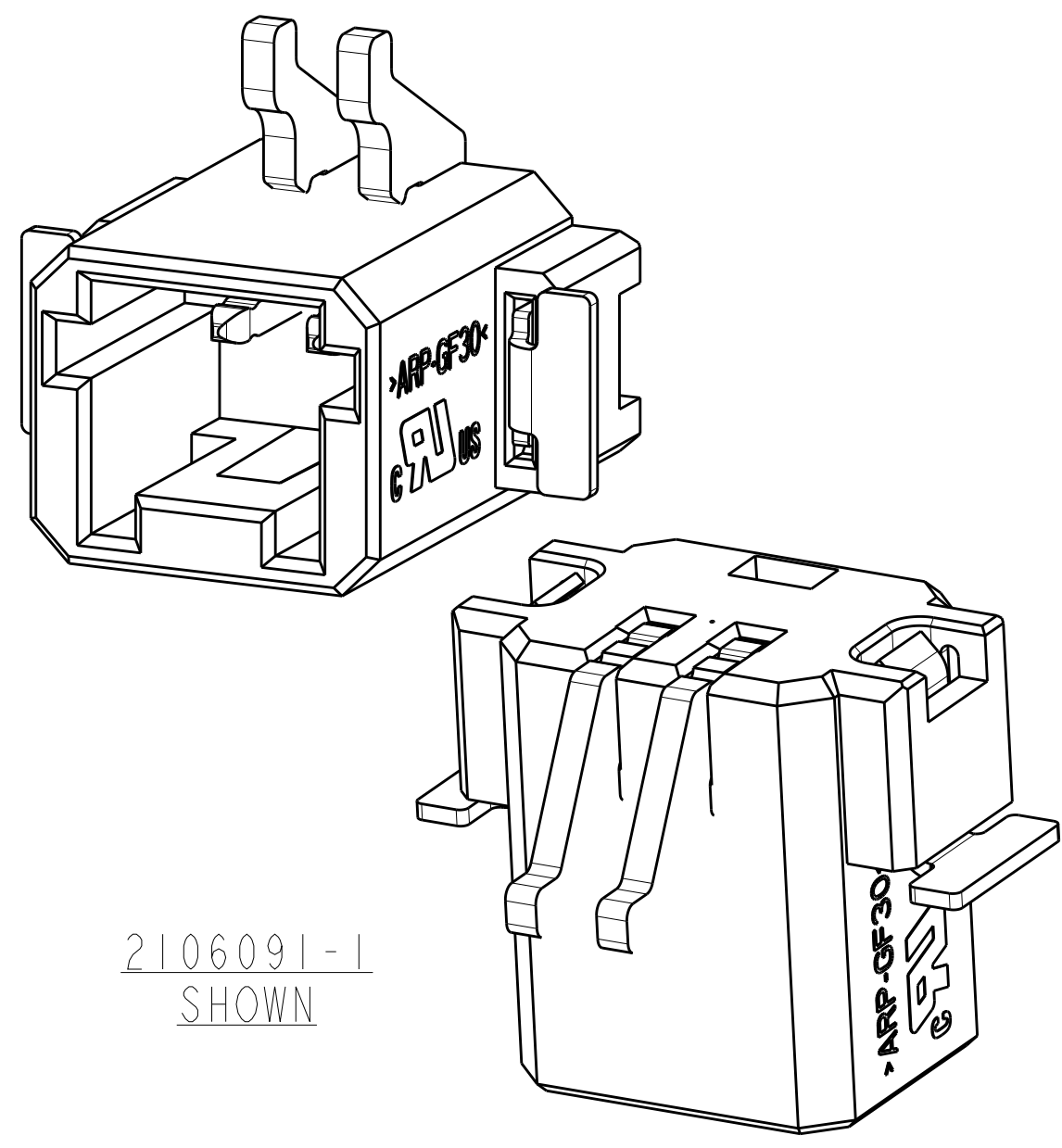
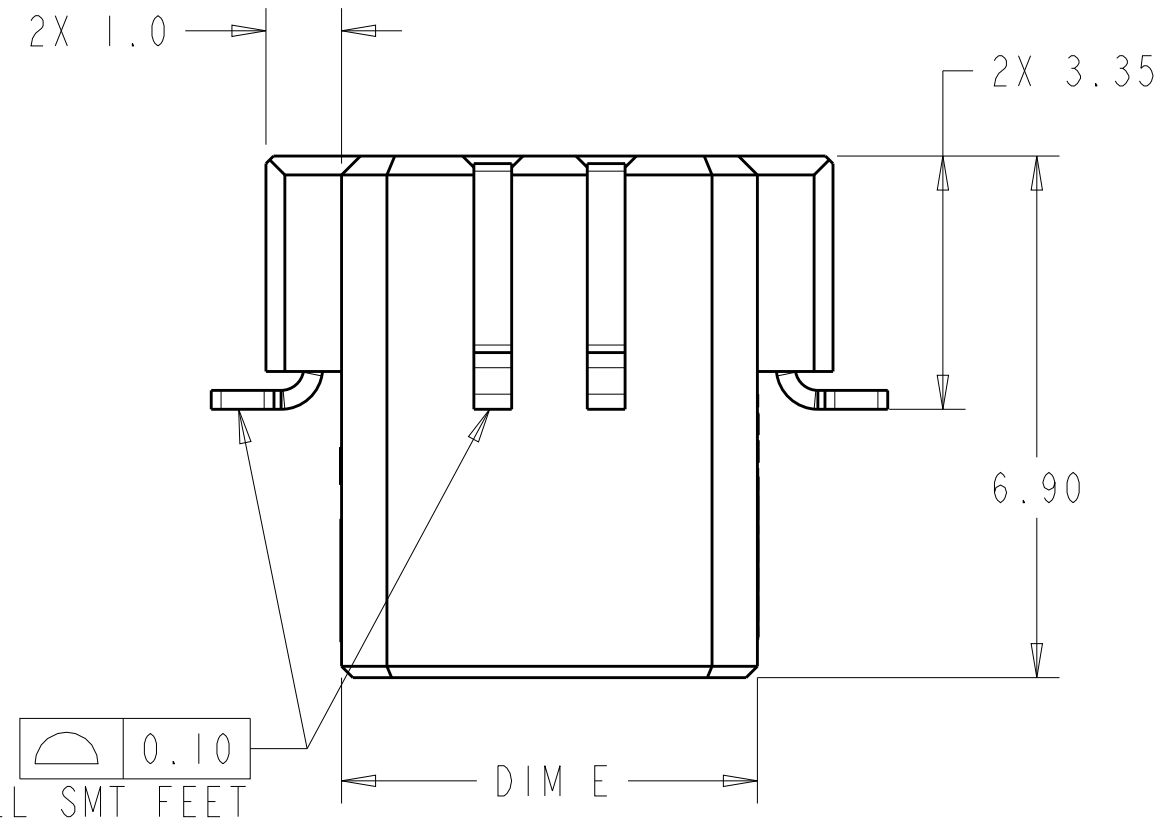
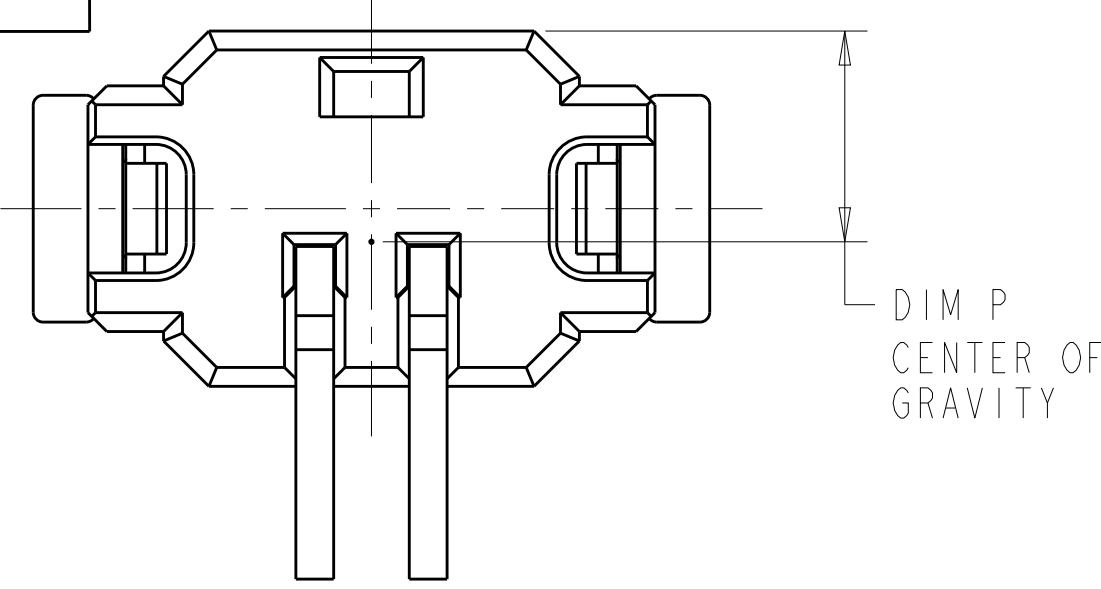


THIS DRAWING IS UNPUBLISHED. RELEASED FOR PUBLICATION 20
 © COPYRIGHT 20 BY - ALL RIGHTS RESERVED.

| REVISIONS | | | | | | | |
|-----------|------|----|-----|---------------------------|-----------|-----|------|
| LOC | DIST | P | LTR | DESCRIPTION | DATE | DWN | APVD |
| - | - | A1 | | REVISED PER ECO-11-004587 | 11MAR2011 | RK | HMR |
| | | A2 | | REVISED PER ECR-14-018652 | 19DEC2014 | RS | DD |
| | | B | | REVISED PER ECR-17-001614 | 06APR2017 | SK | DD |

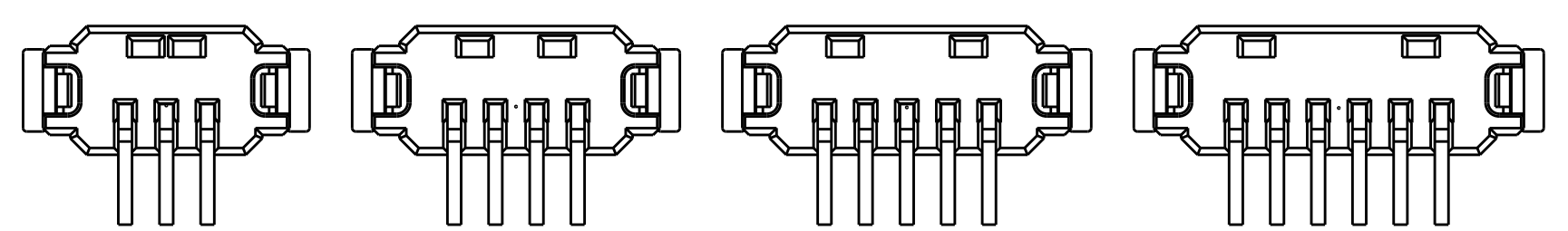


2106091-1
SHOWN

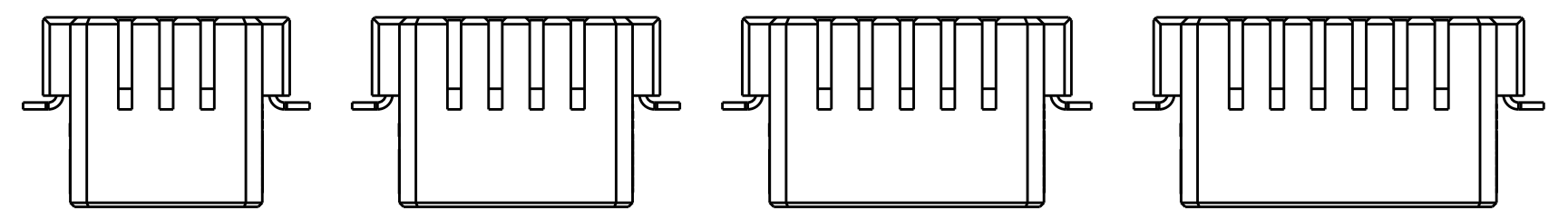


0.10
TYP ALL SMT FEET

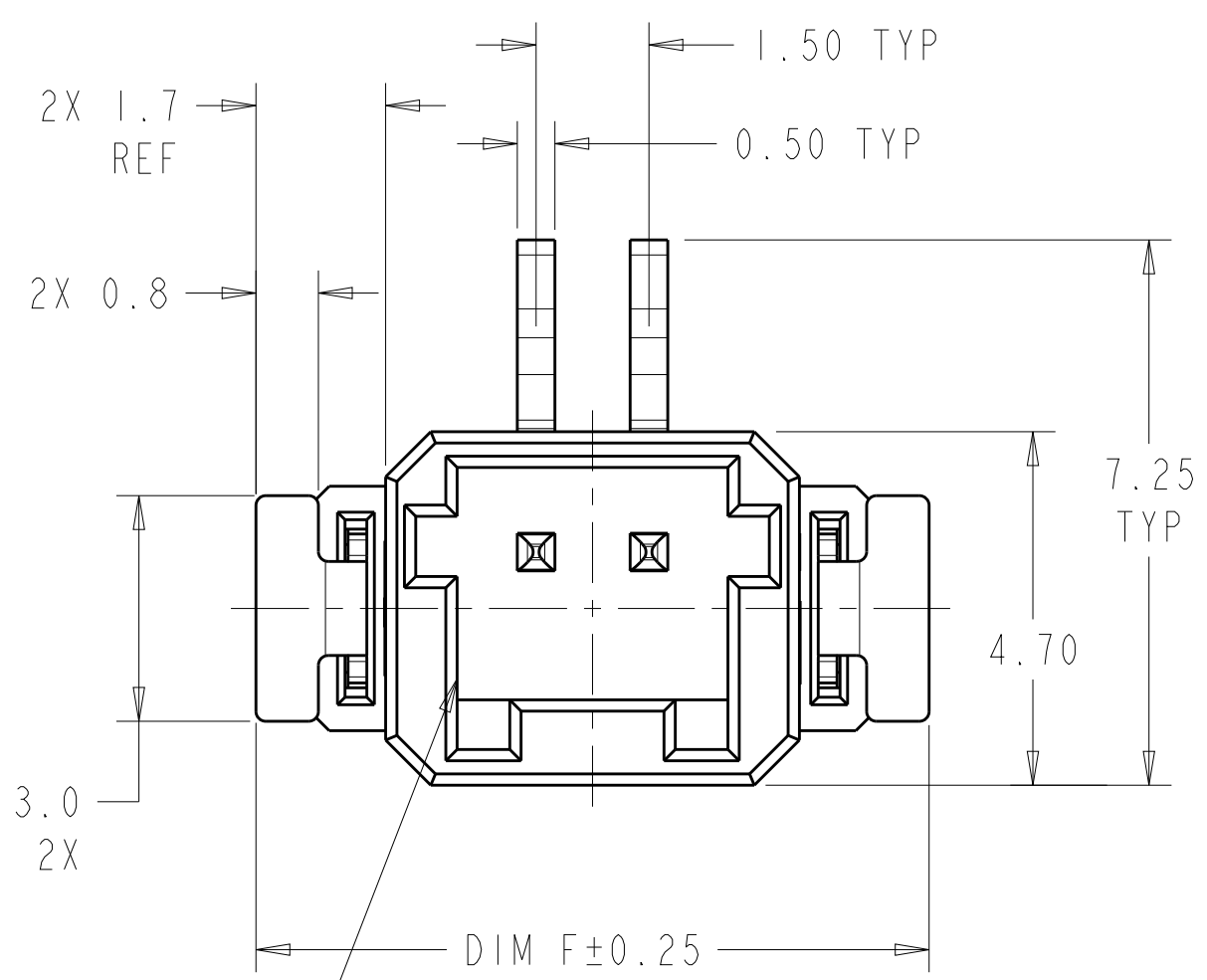
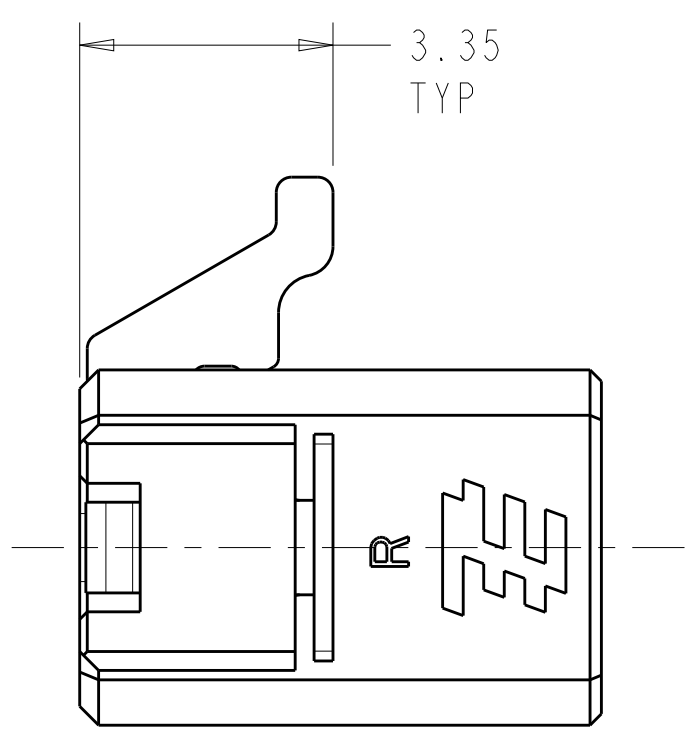
- ⚠ MATERIALS AND FINISH:
 -HOUSING: LCP, COLOR: NATURAL
 -CONTACTS: COPPER ALLOY, FINISH: Sn OVER Ni
 -HOLD DOWNS: BRASS, FINISH: Sn OVER Ni
- MUST COMPLY WITH DIRECTIVE 2002/95/EC (ROHS)
 - NOTE DELETED.
 - PACKAGED IN TAPE AND REEL PER EIA-481 SPECIFICATIONS. DIAMETER OF REEL TO BE 330.0mm



2106091-2 2106091-3 2106091-4 2106091-5



SCALE 4:1



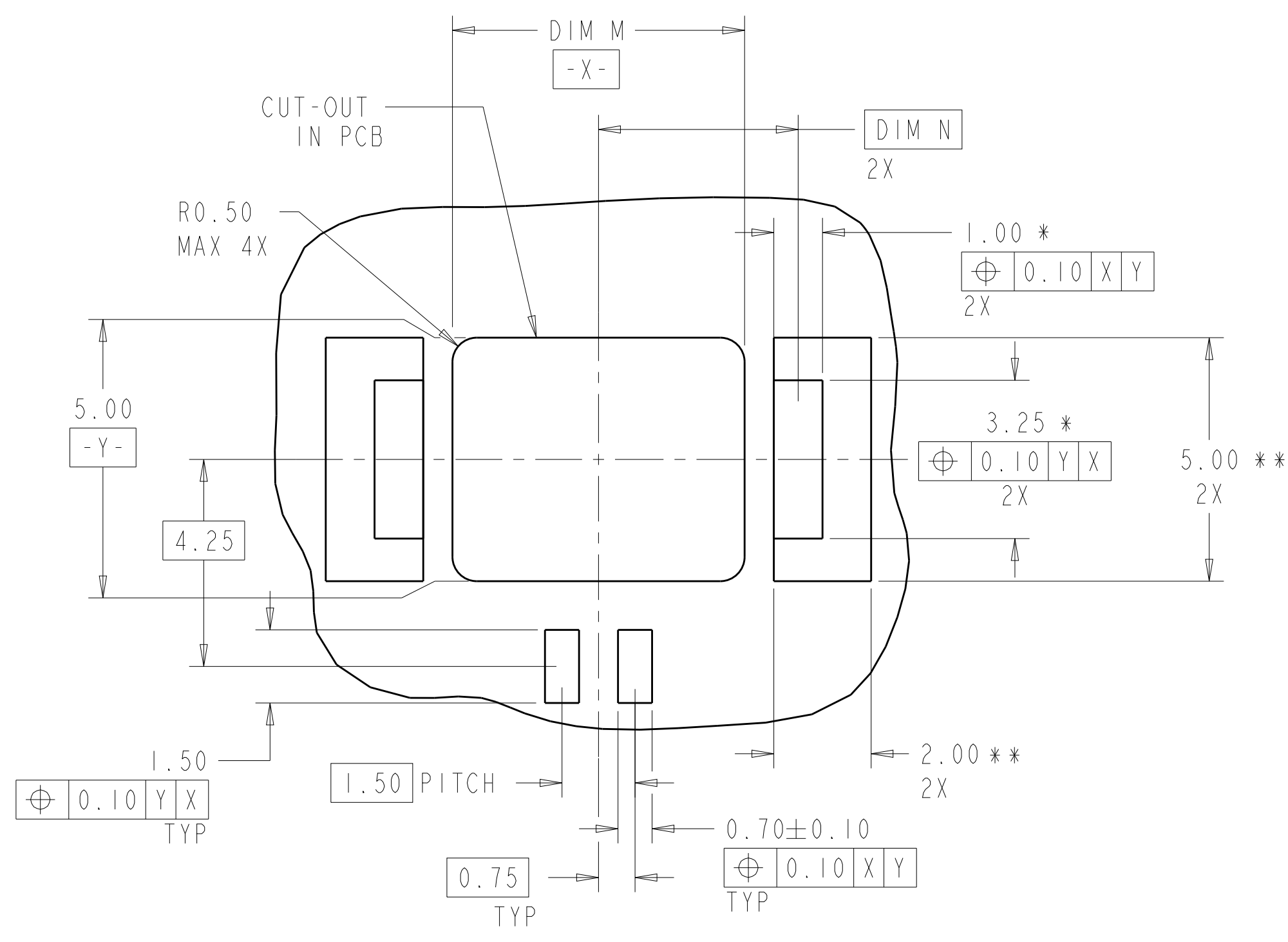
MINI-CT INTERFACE

| | | | | | | |
|-------|-------|-------|-------|-------|------|-------------|
| 2.99 | 7.10 | 12.00 | 15.11 | 11.50 | 6 | 2106091-5 |
| 2.97 | 6.35 | 10.50 | 13.61 | 10.00 | 5 | 2106091-4 |
| 2.94 | 5.60 | 9.00 | 12.11 | 8.50 | 4 | 2106091-3 |
| 2.90 | 4.85 | 7.50 | 10.61 | 7.00 | 3 | 2106091-2 |
| 2.79 | 4.10 | 6.00 | 9.11 | 5.50 | 2 | 2106091-1 |
| DIM P | DIM N | DIM M | DIM F | DIM E | POSN | PART NUMBER |

THIS DRAWING IS A CONTROLLED DOCUMENT.

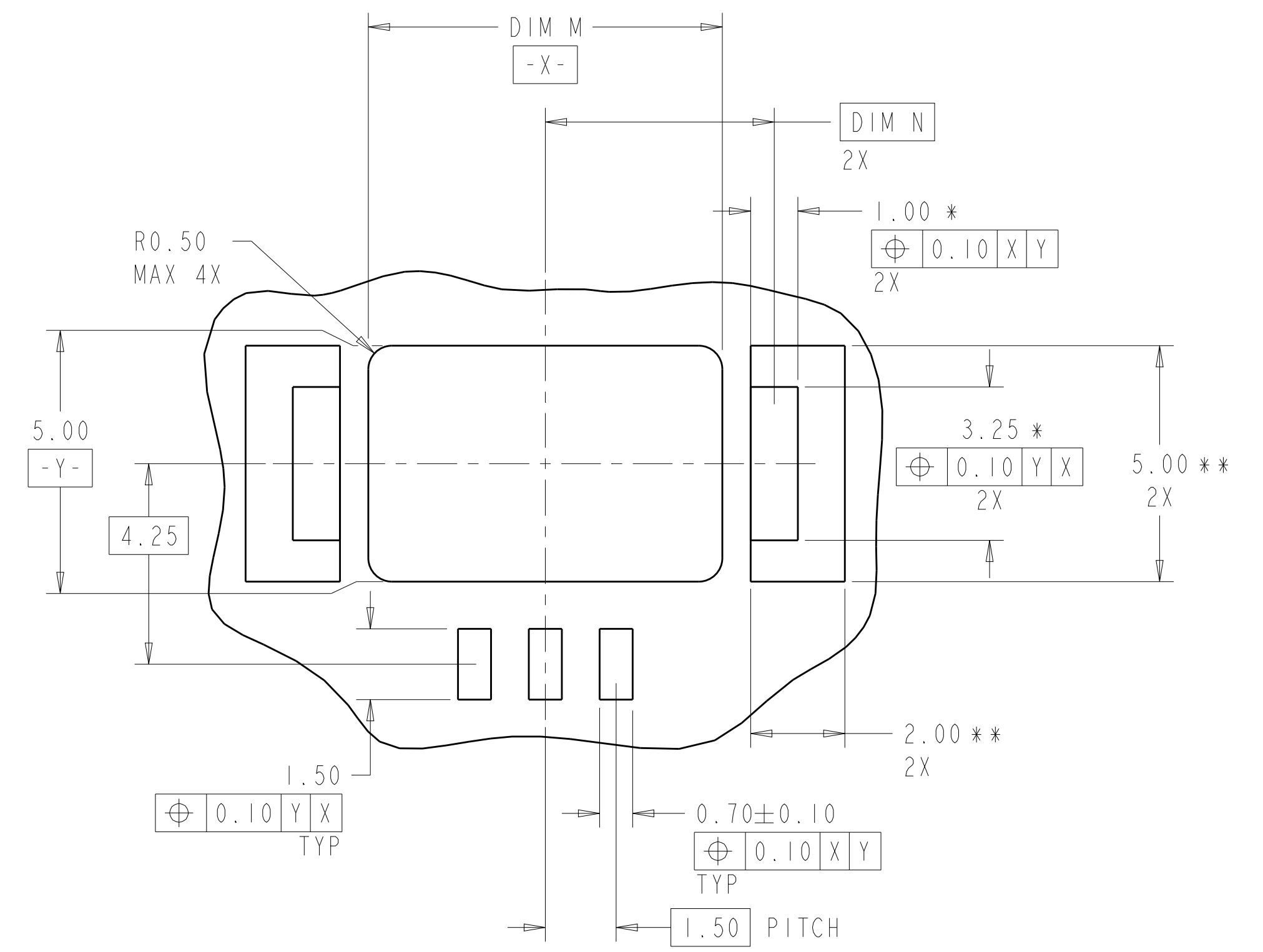
| | |
|----------------------------------|---|
| DWN C. DAILY 14MAR2008 | TE Connectivity |
| CHK M. MOSTOLLER 14MAR2008 | |
| APVD - | NAME ASSEMBLY, THRU BOARD INVERTED SMT CONNECTOR |
| PRODUCT SPEC 108-2376 | SIZE A2 |
| APPLICATION SPEC 114-13245 | CAGE CODE 00779 |
| MATERIAL - | DRAWING NO C-2106091 |
| WEIGHT - | RESTRICTED TO - |
| CUSTOMER DRAWING | SCALE 10:1 |
| | SHEET 1 OF 3 |
| | REV B |

| LOC | DIST | REVISIONS | | | |
|-----|------|-------------|------|-----|------|
| P | LTR | DESCRIPTION | DATE | DWN | APVD |
| - | - | SEE SHEET 1 | - | - | - |
| | | | | | |
| | | | | | |



RECOMMENDED PCB LAYOUT
 EVEN NUMBER POSITIONS SHOWN
 SCALE 10:1

* DIMENSION SHOWN IS RECOMMENDED SOLDER MASK OPENING.
 ** DIMENSION SHOWN IS RECOMMENDED COPPER PAD SIZE.



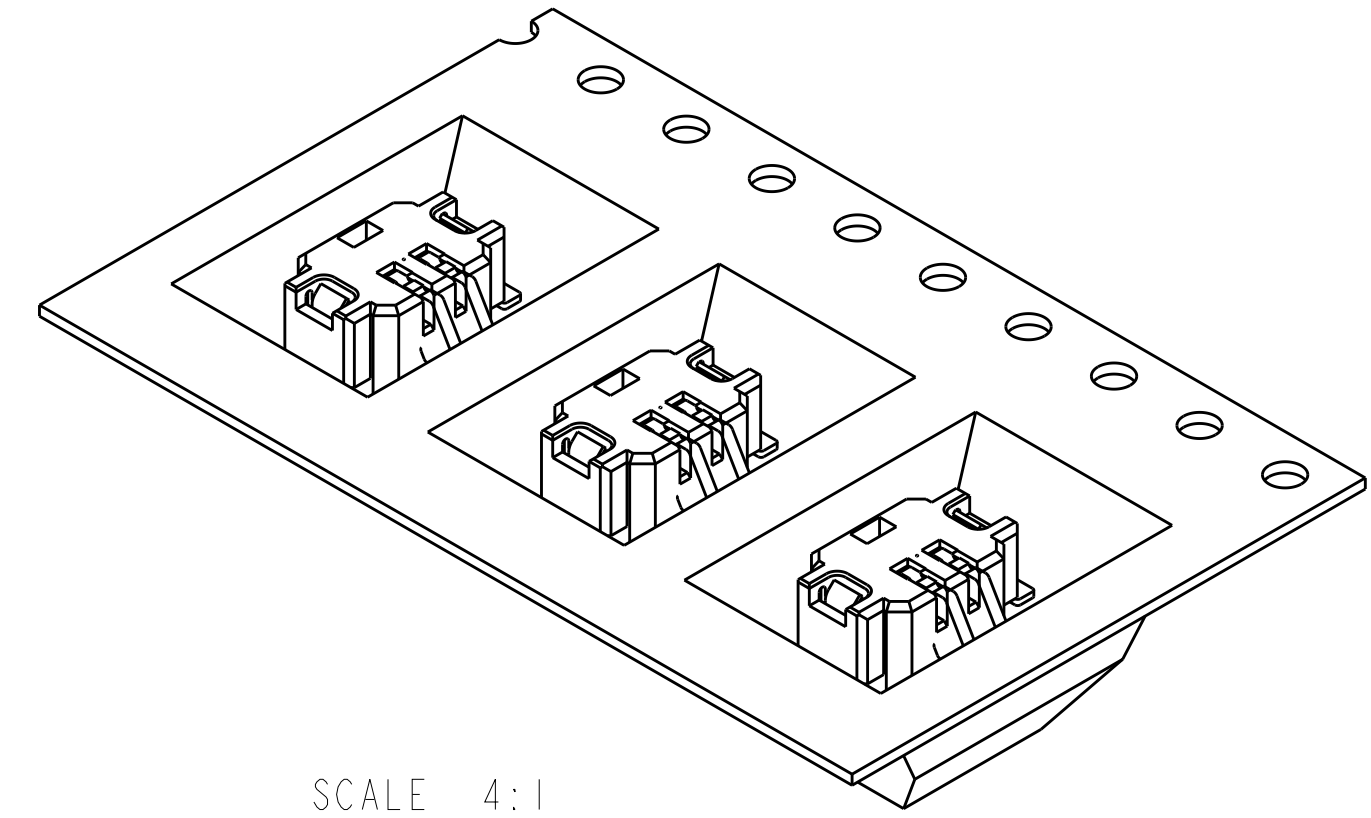
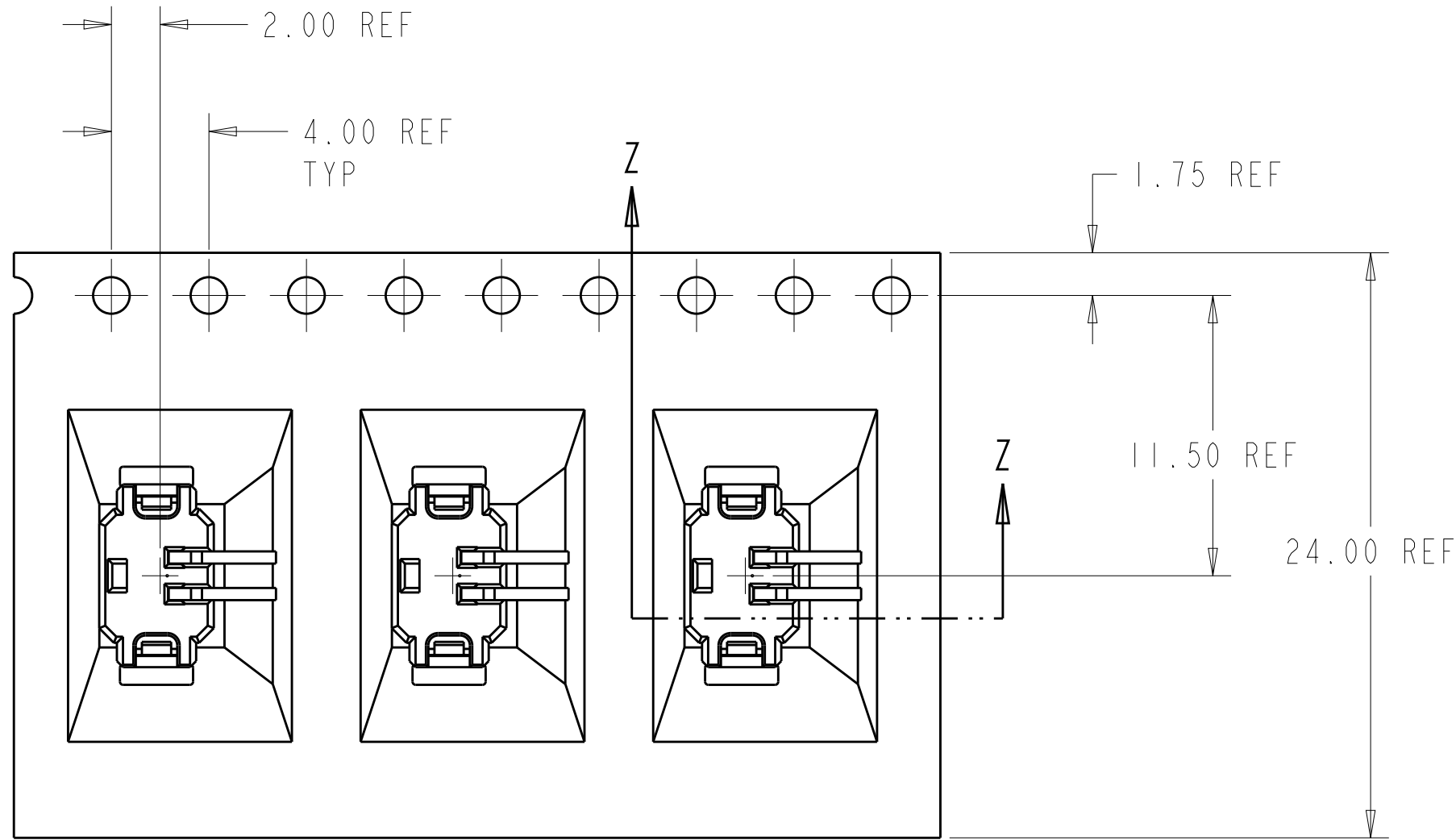
RECOMMENDED PCB LAYOUT
 ODD NUMBER POSITIONS SHOWN
 SCALE 10:1

* DIMENSION SHOWN IS RECOMMENDED SOLDER MASK OPENING.
 ** DIMENSION SHOWN IS RECOMMENDED COPPER PAD SIZE.

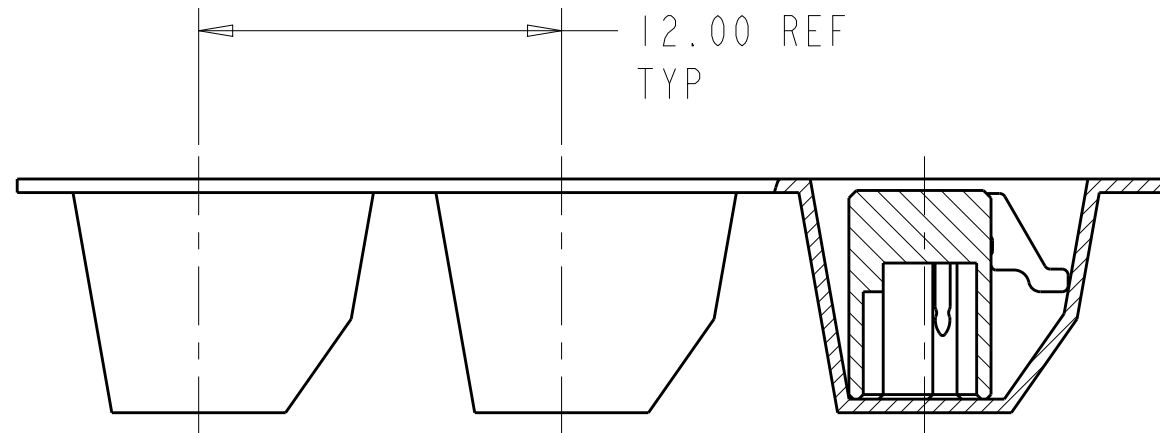
| | | | | |
|--|--|----------------------------------|---|-------------------------|
| THIS DRAWING IS A CONTROLLED DOCUMENT. | | DWN C. DAILY 14MAR2008 | TE Connectivity | |
| DIMENSIONS: mm | | CHK M. MOSTOLLER 14MAR2008 | | |
| TOLERANCES UNLESS OTHERWISE SPECIFIED: | | APVD - | NAME ASSEMBLY, THRU BOARD INVERTED SMT CONNECTOR | |
| 0 PLC ±- | | PRODUCT SPEC 108-2376 | SIZE A2 | |
| 1 PLC ±0.2 | | APPLICATION SPEC 114-13245 | CAGE CODE 00779 | DRAWING NO G-2106091 |
| 2 PLC ±0.13 | | WEIGHT - | RESTRICTED TO - | |
| 3 PLC ±- | | CUSTOMER DRAWING | | |
| 4 PLC ±- | | SCALE 10:1 | | |
| ANGLES FINISH ±3° | | SHEET 2 OF 3 | | |
| MATERIAL | | REV B | | |

THIS DRAWING IS UNPUBLISHED. RELEASED FOR PUBLICATION 20
 © COPYRIGHT 20 BY - ALL RIGHTS RESERVED.

| LOC | | DIST | | REVISIONS | | | |
|-----|-----|-------------|------|-----------|------|--|--|
| P | LTR | DESCRIPTION | DATE | DWN | APVD | | |
| - | - | SEE SHEET 1 | - | - | - | | |



SCALE 4:1



SECTION Z-Z
SCALE 4:1

2106091-1 SHOWN IN POCKET TAPE

| | | | | |
|--|--|----------------------------------|-----------------|---|
| THIS DRAWING IS A CONTROLLED DOCUMENT. | | DWN C. DAILY 14MAR2008 | TE Connectivity | |
| | | CHK M. MOSTOLLER 14MAR2008 | | |
| DIMENSIONS: mm | | APVD - | | NAME ASSEMBLY, THRU BOARD INVERTED SMT CONNECTOR |
| TOLERANCES UNLESS OTHERWISE SPECIFIED: | | PRODUCT SPEC 108-2376 | | SIZE A2 |
| 0 PLC ± | | APPLICATION SPEC 114-13245 | | CAGE CODE 00779 |
| 1 PLC ±0.2 | | WEIGHT - | | DRAWING NO C-2106091 |
| 2 PLC ±0.13 | | CUSTOMER DRAWING | | RESTRICTED TO - |
| 3 PLC ± | | SCALE 10:1 | | SHEET 3 OF 3 |
| 4 PLC ± | | | | REV B |
| ANGLES ±3° | | | | |
| FINISH | | | | |

X-ON Electronics

Largest Supplier of Electrical and Electronic Components

Click to view similar products for [Lighting Connectors](#) category:

Click to view products by [TE Connectivity](#) manufacturer:

Other Similar products are found below :

[293300-7](#) [293660-5](#) [CNX_H03_NTP](#) [30-9767-BU](#) [3605](#) [3-21030-1](#) [ZCH-110-RGB-I](#) [503471-0290](#) [ZCH-110-RGB-J](#) [217-0716-200](#)
[1954563-1](#) [1-293657-2](#) [2834036-1](#) [2834037-1](#) [1-2213222-4](#) [2-2213222-4](#) [2213222-4](#) [2834122-3](#) [2834122-5](#) [2834135-2](#) [FLA-R4142-30](#)
[FLA-R4162-30](#) [FLA-R2142-30](#) [FLA-R2141-30](#) [FLA-R2162-30](#) [FLA-R2161-30](#) [FLA-R0161-30](#) [FLA-R0141-30](#) [FLA-R0142-30](#) [FLA-](#)
[R0162-30](#) [FLA-C00-00](#) [DGA00010553](#) [CNXV04NTP](#) [104128-0610](#) [503485-0000 \(Cut Strip\)](#) [503485-0000 \(Loose Piece\)](#) [503485-0000](#)
[\(MINI Reel\)](#) [1-2834074-2](#) [1-2834074-3](#) [1357-AC PLUG W2C \(CHINA\)](#) [1357-AC PLUG W2 \(USA\)](#) [104266-0110](#) [2106212-1](#) [2-2834074-2](#)
[104266-0210](#) [293470-1](#) [293651-2](#) [293651-4](#) [1-2834006-2](#) [293651-1](#)