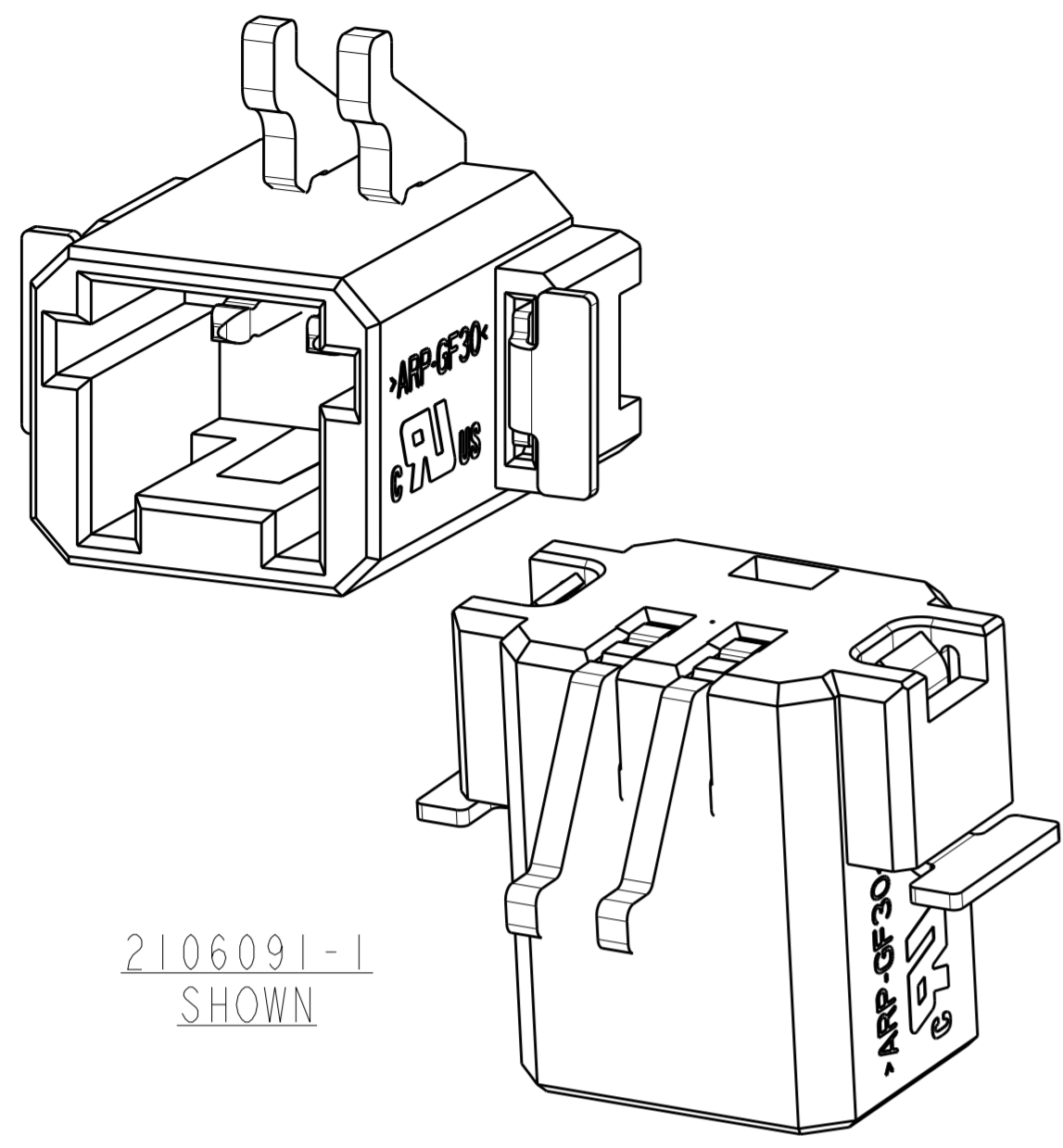
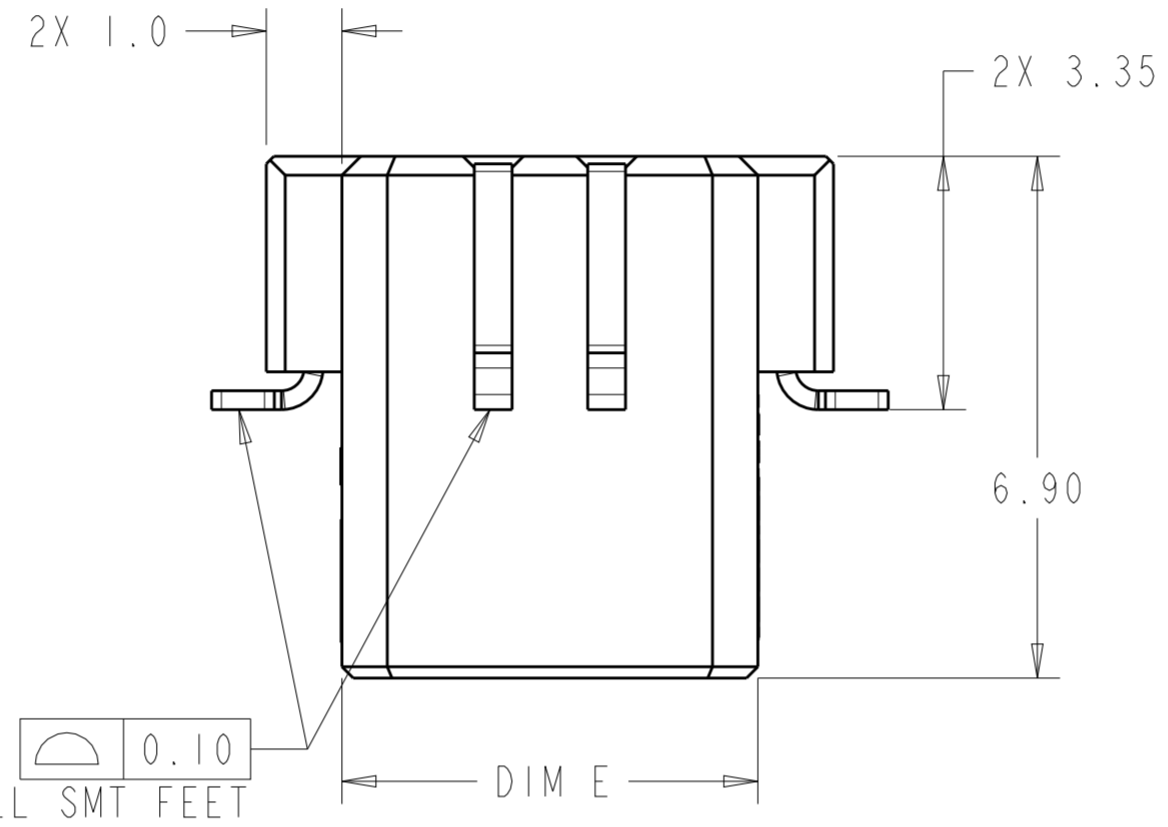
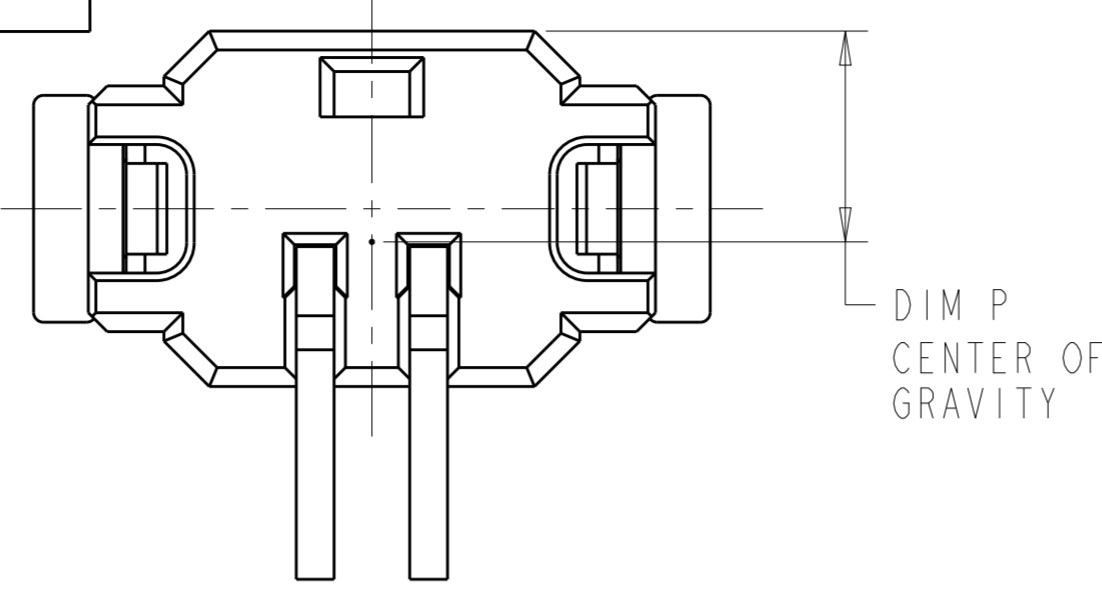


THIS DRAWING IS UNPUBLISHED. RELEASED FOR PUBLICATION 20  
 © COPYRIGHT 20 BY - ALL RIGHTS RESERVED.

REVISIONS							
LOC	DIST	P	LTR	DESCRIPTION	DATE	DWN	APVD
-	-	A1		REVISED PER ECO-11-004587	11MAR2011	RK	HMR
		A2		REVISED PER ECR-14-018652	19DEC2014	RS	DD
		B		REVISED PER ECR-17-001614	06APR2017	SK	DD

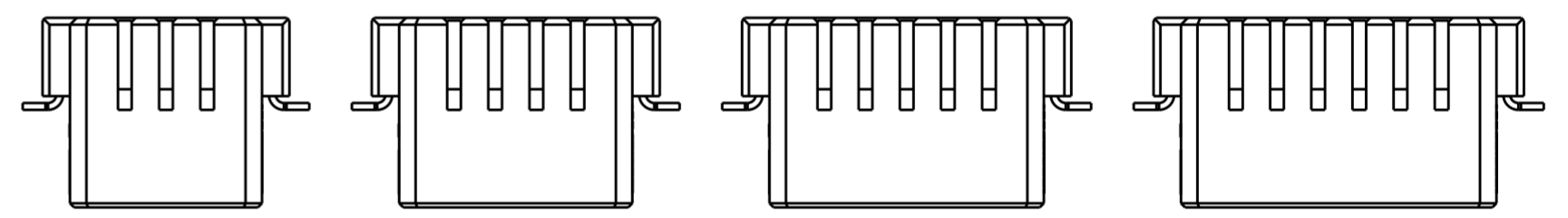
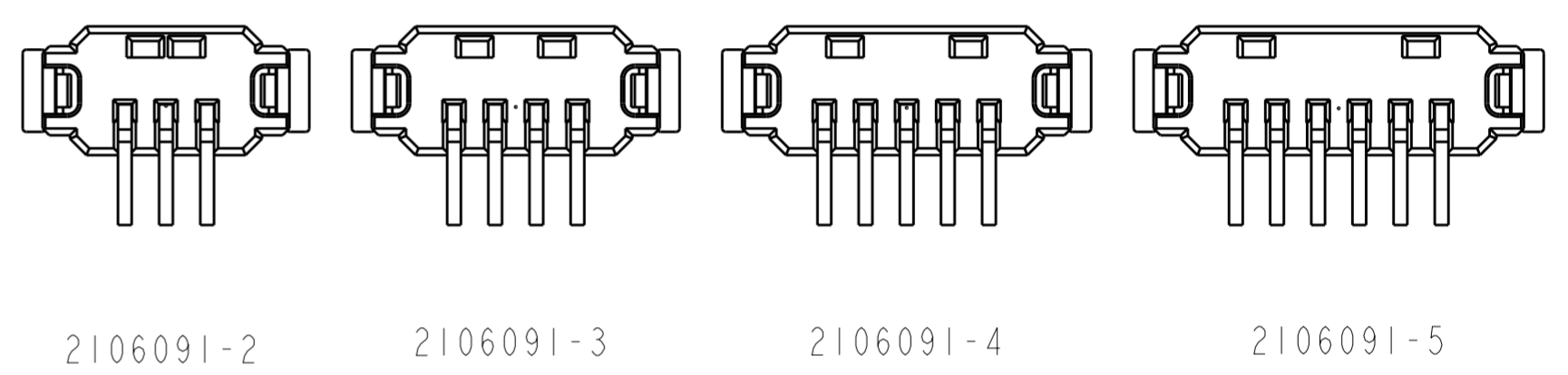


2106091-1  
SHOWN

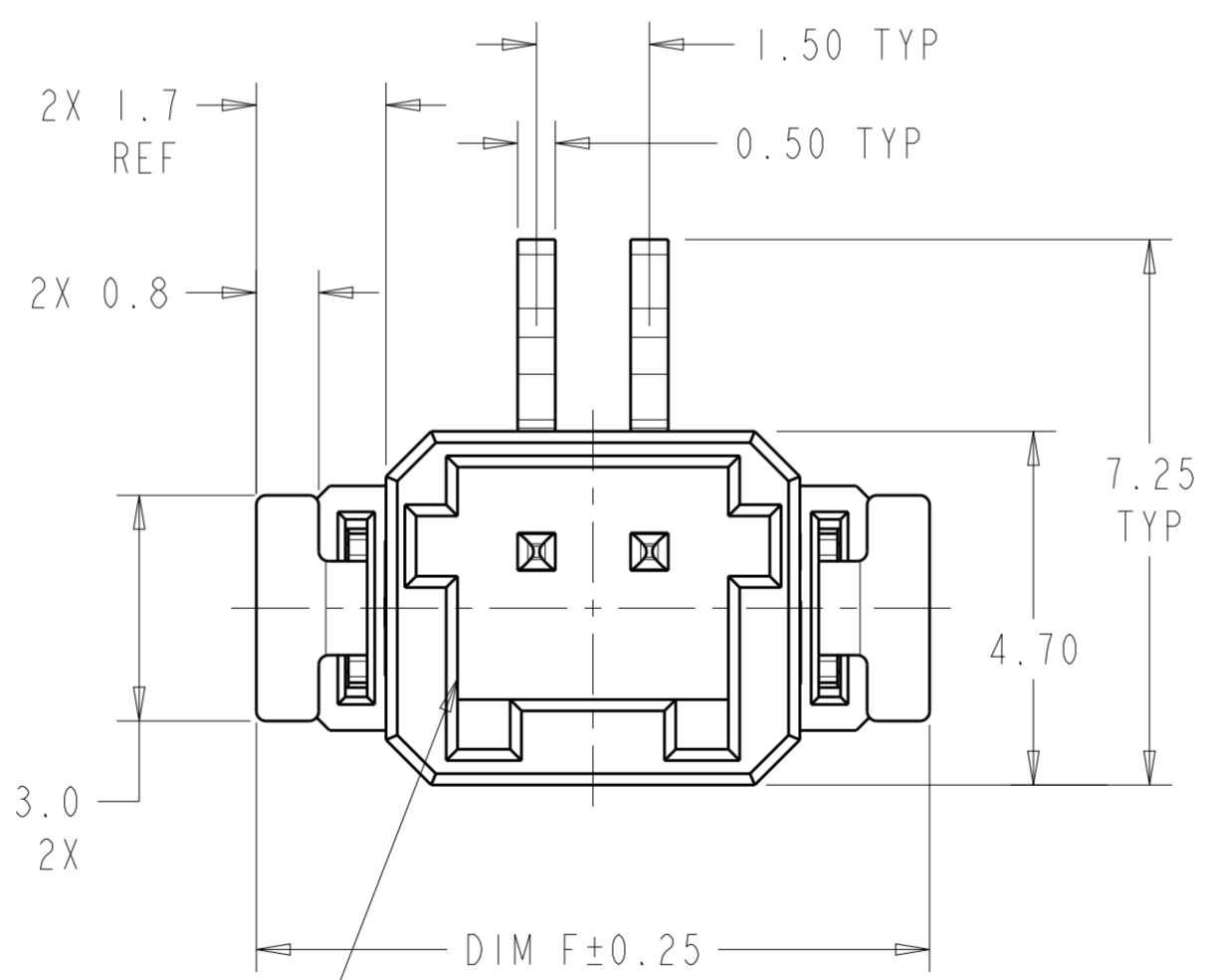
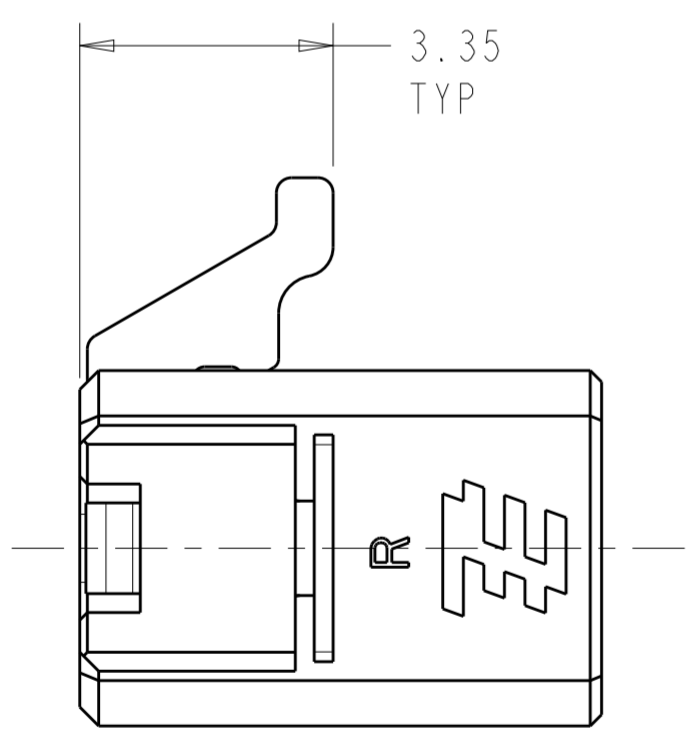


0.10  
TYP ALL SMT FEET

- △ MATERIALS AND FINISH:  
 -HOUSING: LCP, COLOR: NATURAL  
 -CONTACTS: COPPER ALLOY, FINISH: Sn OVER Ni  
 -HOLD DOWNS: BRASS, FINISH: Sn OVER Ni
- MUST COMPLY WITH DIRECTIVE 2002/95/EC (ROHS)
  - NOTE DELETED.
  - PACKAGED IN TAPE AND REEL PER EIA-481 SPECIFICATIONS. DIAMETER OF REEL TO BE 330.0mm



SCALE 4:1



MINI-CT  
INTERFACE

2.99	7.10	12.00	15.11	11.50	6	2106091-5
2.97	6.35	10.50	13.61	10.00	5	2106091-4
2.94	5.60	9.00	12.11	8.50	4	2106091-3
2.90	4.85	7.50	10.61	7.00	3	2106091-2
2.79	4.10	6.00	9.11	5.50	2	2106091-1
DIM P	DIM N	DIM M	DIM F	DIM E	POSN	PART NUMBER

THIS DRAWING IS A CONTROLLED DOCUMENT. DWN: C. DAILY 14MAR2008, CHK: M. MOSTOLLER 14MAR2008, APVD: -

**STE** TE Connectivity

NAME: ASSEMBLY, THRU BOARD INVERTED SMT CONNECTOR

PRODUCT SPEC: 108-2376  
 APPLICATION SPEC: 114-13245

SIZE: A2, CAGE CODE: 00779, DRAWING NO: C-2106091, RESTRICTED TO: -

MATERIAL: -  
 WEIGHT: -  
 CUSTOMER DRAWING

SCALE: 10:1, SHEET: 1 OF 3, REV: B

4

3

2

1

THIS DRAWING IS UNPUBLISHED. RELEASED FOR PUBLICATION 20  
 © COPYRIGHT 20 BY - ALL RIGHTS RESERVED.

LOC	DIST	REVISIONS			
P	LTR	DESCRIPTION	DATE	DWN	APVD
-	-	SEE SHEET 1	-	-	-

CUT-OUT IN PCB

R0.50 MAX 4X

DIM M -X-

DIM N 2X

1.00 \*  $\oplus$  0.10 X Y 2X

5.00 -Y- 5.00 \*\* 2X

4.25

3.25 \*  $\oplus$  0.10 Y X 2X

1.50  $\oplus$  0.10 Y X TYP

1.50 PITCH

0.75 TYP

0.70±0.10 TYP

2.00 \*\* 2X

RECOMMENDED PCB LAYOUT  
 EVEN NUMBER POSITIONS SHOWN  
 SCALE 10:1

\* DIMENSION SHOWN IS RECOMMENDED SOLDER MASK OPENING.  
 \*\* DIMENSION SHOWN IS RECOMMENDED COPPER PAD SIZE.

R0.50 MAX 4X

DIM M -X-

DIM N 2X

1.00 \*  $\oplus$  0.10 X Y 2X

5.00 -Y- 5.00 \*\* 2X

4.25

3.25 \*  $\oplus$  0.10 Y X 2X

1.50  $\oplus$  0.10 Y X TYP

1.50 PITCH

0.70±0.10 TYP

2.00 \*\* 2X

RECOMMENDED PCB LAYOUT  
 ODD NUMBER POSITIONS SHOWN  
 SCALE 10:1

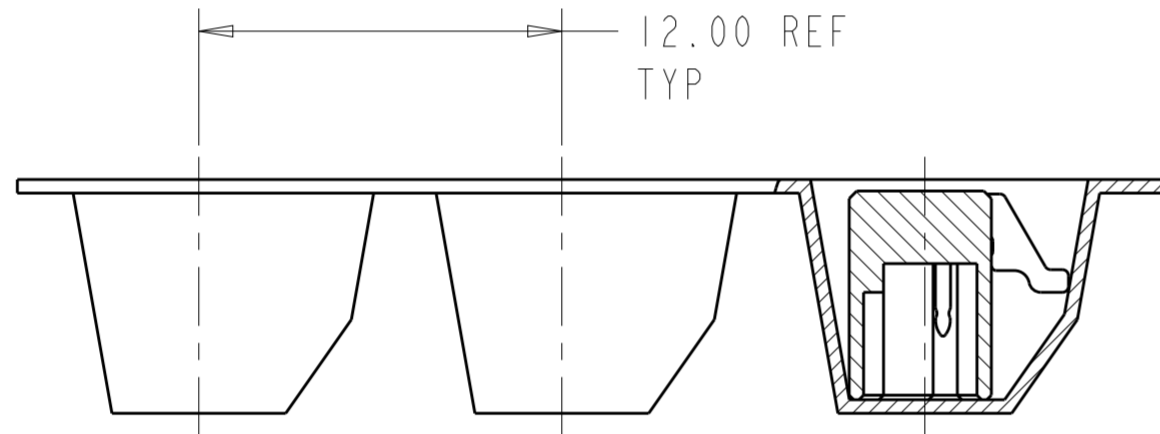
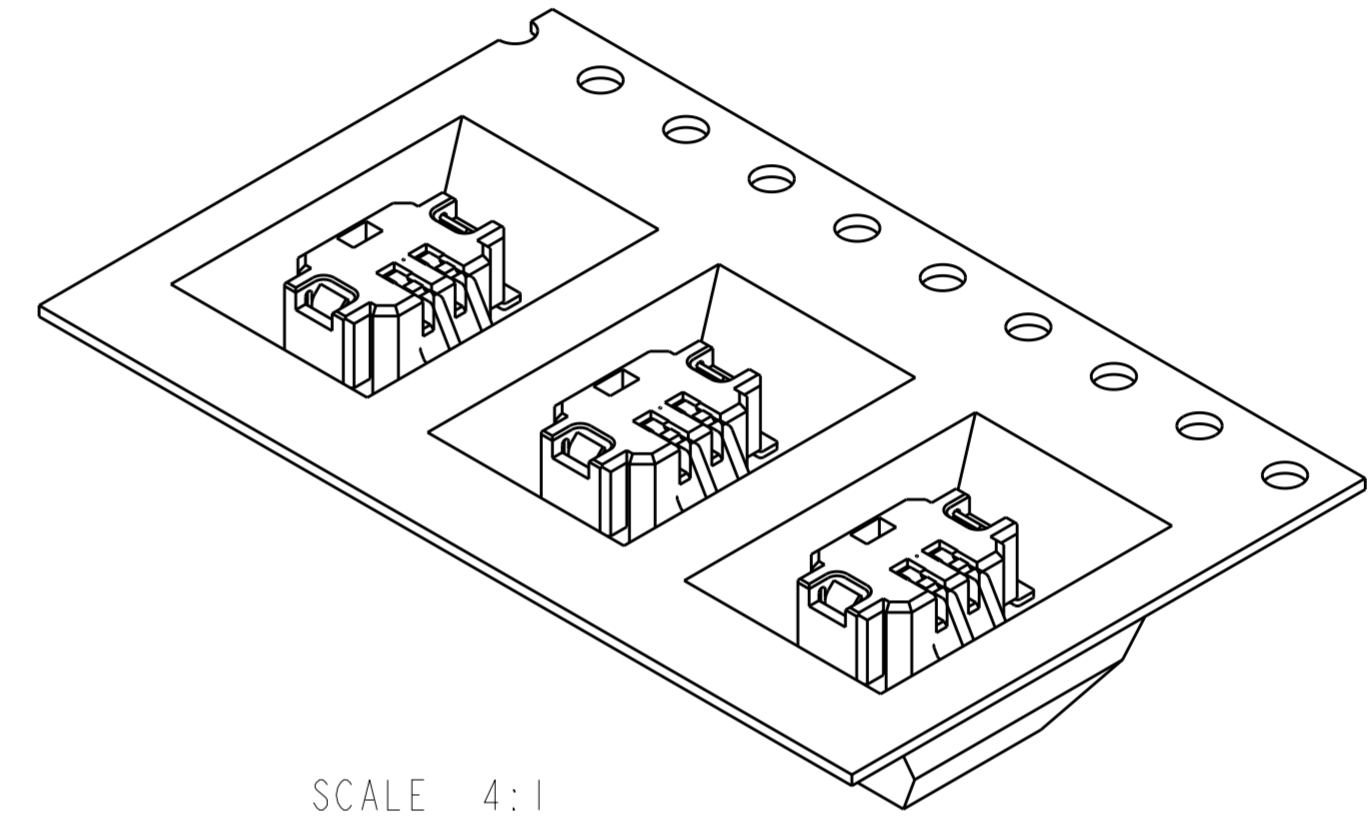
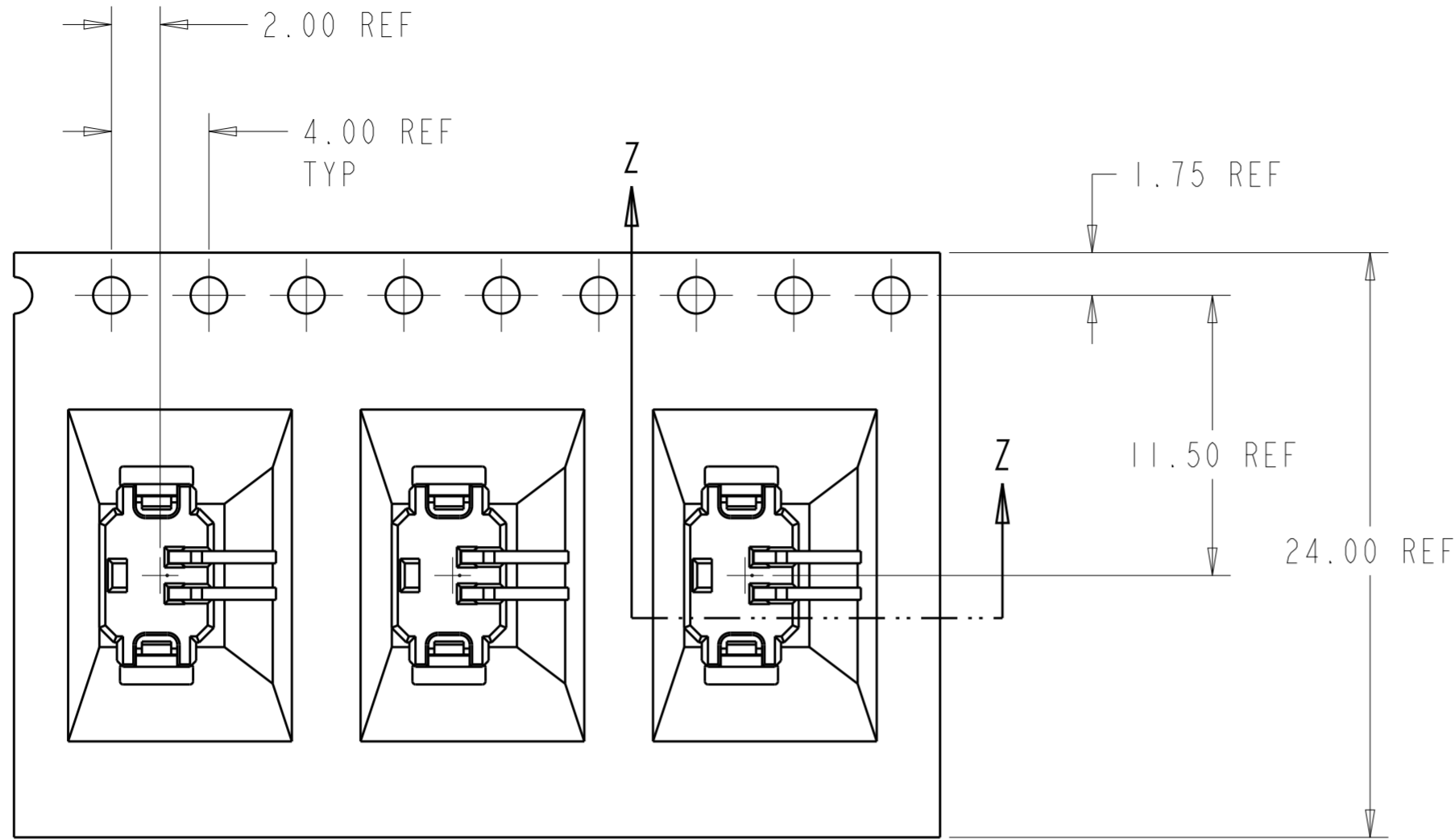
\* DIMENSION SHOWN IS RECOMMENDED SOLDER MASK OPENING.  
 \*\* DIMENSION SHOWN IS RECOMMENDED COPPER PAD SIZE.

DIMENSIONS:		TOLERANCES UNLESS OTHERWISE SPECIFIED:		APVD		NAME	
mm	mm	0 PLC ±	±0.2	C. DAILY	14MAR2008	ASSEMBLY, THRU BOARD INVERTED SMT CONNECTOR	
		1 PLC ±	±0.13	CHK	14MAR2008	-	
		2 PLC ±	±	APVD	-	-	
		3 PLC ±	±	PRODUCT SPEC	108-2376	-	
		4 PLC ±	±	APPLICATION SPEC	114-13245	-	
		ANGLES ±	±3°	WEIGHT	-	-	
		FINISH		CUSTOMER DRAWING	-	-	
MATERIAL				SCALE		RESTRICTED TO	
				10:1		-	

1471-9 (3/11)

THIS DRAWING IS UNPUBLISHED. RELEASED FOR PUBLICATION 20  
 © COPYRIGHT 20 BY - ALL RIGHTS RESERVED.

LOC		DIST		REVISIONS			
P	LTR	DESCRIPTION	DATE	DWN	APVD		
-	-	SEE SHEET 1	-	-	-		



SECTION Z-Z  
 SCALE 4:1

2106091-1 SHOWN IN POCKET TAPE

THIS DRAWING IS A CONTROLLED DOCUMENT.		DWN C. DAILY 14MAR2008	TE Connectivity	
		CHK M. MOSTOLLER 14MAR2008		
DIMENSIONS:		APVD -	NAME ASSEMBLY, THRU BOARD INVERTED SMT CONNECTOR	
mm		PRODUCT SPEC 108-2376	SIZE A2	
TOLERANCES UNLESS OTHERWISE SPECIFIED:		APPLICATION SPEC 114-13245	CAGE CODE 00779	DRAWING NO C-2106091
0 PLC ±		WEIGHT -	RESTRICTED TO -	
1 PLC ±0.2		CUSTOMER DRAWING	SCALE 10:1	SHEET 3 OF 3
2 PLC ±0.13			REV B	
3 PLC ±				
4 PLC ±				
ANGLES ±3°				
FINISH				

## X-ON Electronics

Largest Supplier of Electrical and Electronic Components

*Click to view similar products for [Lighting Connectors](#) category:*

*Click to view products by [TE Connectivity](#) manufacturer:*

Other Similar products are found below :

[293300-7](#) [293660-5](#) [CNX\\_H03\\_NTP](#) [30-9767-BU](#) [3605](#) [3-21030-1](#) [ZCH-110-RGB-I](#) [503471-0290](#) [ZCH-110-RGB-J](#) [217-0716-200](#)  
[1954563-1](#) [1-293657-2](#) [2834036-1](#) [2834037-1](#) [1-2213222-4](#) [2-2213222-4](#) [2213222-4](#) [2834122-3](#) [2834122-5](#) [2834135-2](#) [FLA-R4142-30](#)  
[FLA-R4162-30](#) [FLA-R2142-30](#) [FLA-R2141-30](#) [FLA-R2162-30](#) [FLA-R2161-30](#) [FLA-R0161-30](#) [FLA-R0141-30](#) [FLA-R0142-30](#) [FLA-](#)  
[R0162-30](#) [FLA-C00-00](#) [DGA00010553](#) [CNXV04NTP](#) [104128-0610](#) [503485-0000 \(Cut Strip\)](#) [503485-0000 \(Loose Piece\)](#) [503485-0000](#)  
[\(MINI Reel\)](#) [1-2834074-2](#) [1-2834074-3](#) [1357-AC PLUG W2C \(CHINA\)](#) [1357-AC PLUG W2 \(USA\)](#) [104266-0110](#) [2106212-1](#) [2-2834074-2](#)  
[104266-0210](#) [293470-1](#) [293651-2](#) [293651-4](#) [1-2834006-2](#) [293651-1](#)