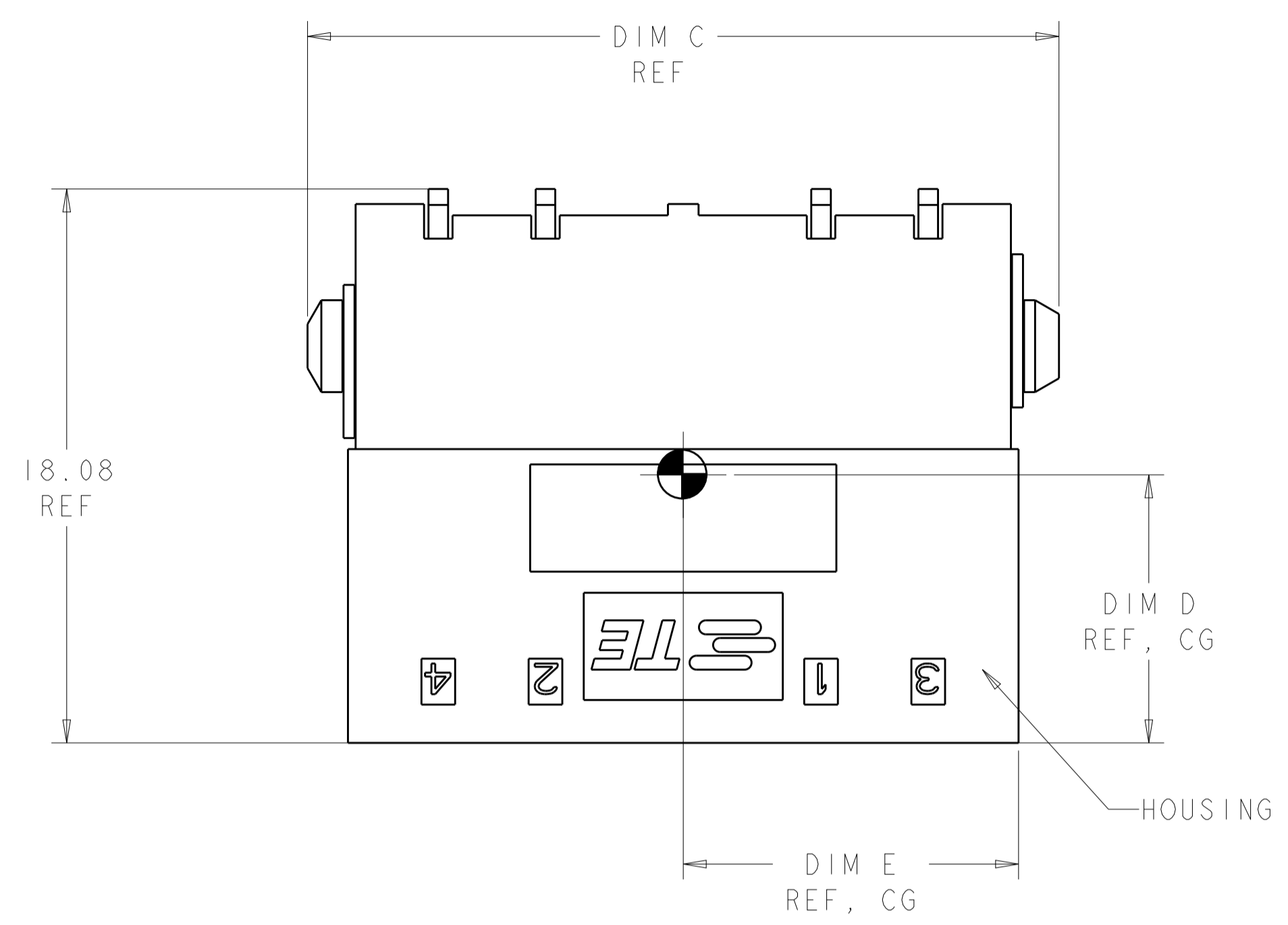
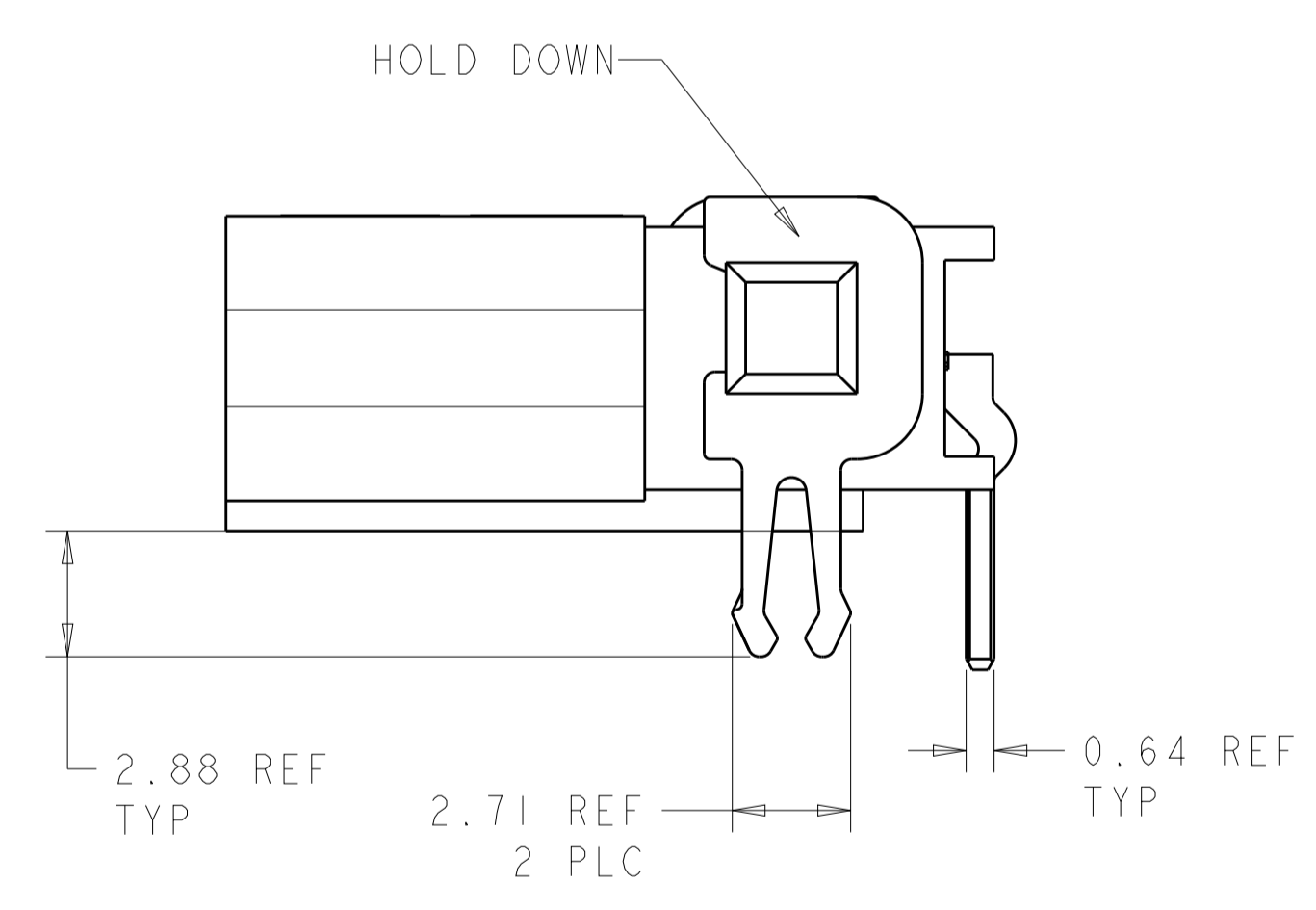
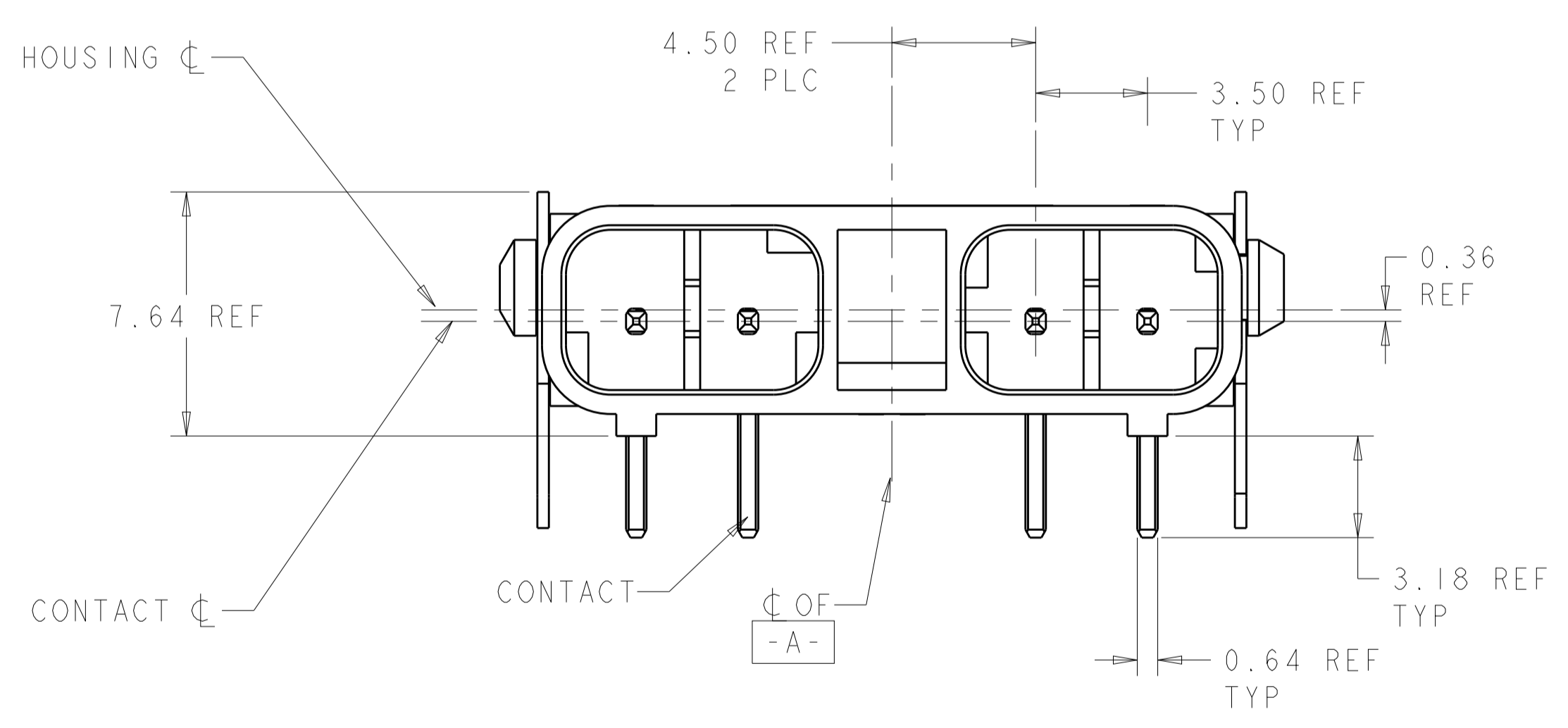


LOC		DIST		REVISIONS			
P	LTN	DESCRIPTION	DATE	DWN	APVD		
A		REVISED PER ECR-10-013359	07JUL2010	HMR	DD		
B		REVISED PER ECR-13-008007	17SEP2013	RS	DD		



- 1 MATERIAL: HOUSING: LCP, COLOR: BLACK.
- 2 CONTACTS: BRASS.
FINISH: 2.54µm MIN MATTE TIN OVER NICKEL (ENTIRE POST).
- 3 HOLDDOWN: COPPER ALLOY.
FINISH: 2.54µm MIN MATTE TIN OVER NICKEL .
- 4. THIS PRODUCT HAS NOT COMPLETED VALIDATION TESTING.
- 5 RECOMMENDED PC BOARD THICKNESS OF 1.57.
- 6. PACKAGED IN TUBES.
- 7. MUST COMPLY WITH DIRECTIVE 2002/95/EC (ROHS).



10.94	10.89	24.54	10.92	10.92	4	2106111-6
9.17	10.75	21.04	7.42	10.92	3	2106111-4
7.44	10.57	17.54	7.42	7.42	2	2106111-2
DIM E	DIM D	DIM C	DIM B	DIM A	POSN	PART NUMBER

THIS DRAWING IS A CONTROLLED DOCUMENT. DWN: HM VAN SCIO, 20FEB2009
 CHK: A. BUCHER, 20FEB2009
 APVD: A. BUCHER, 20FEB2009

STE TE Connectivity

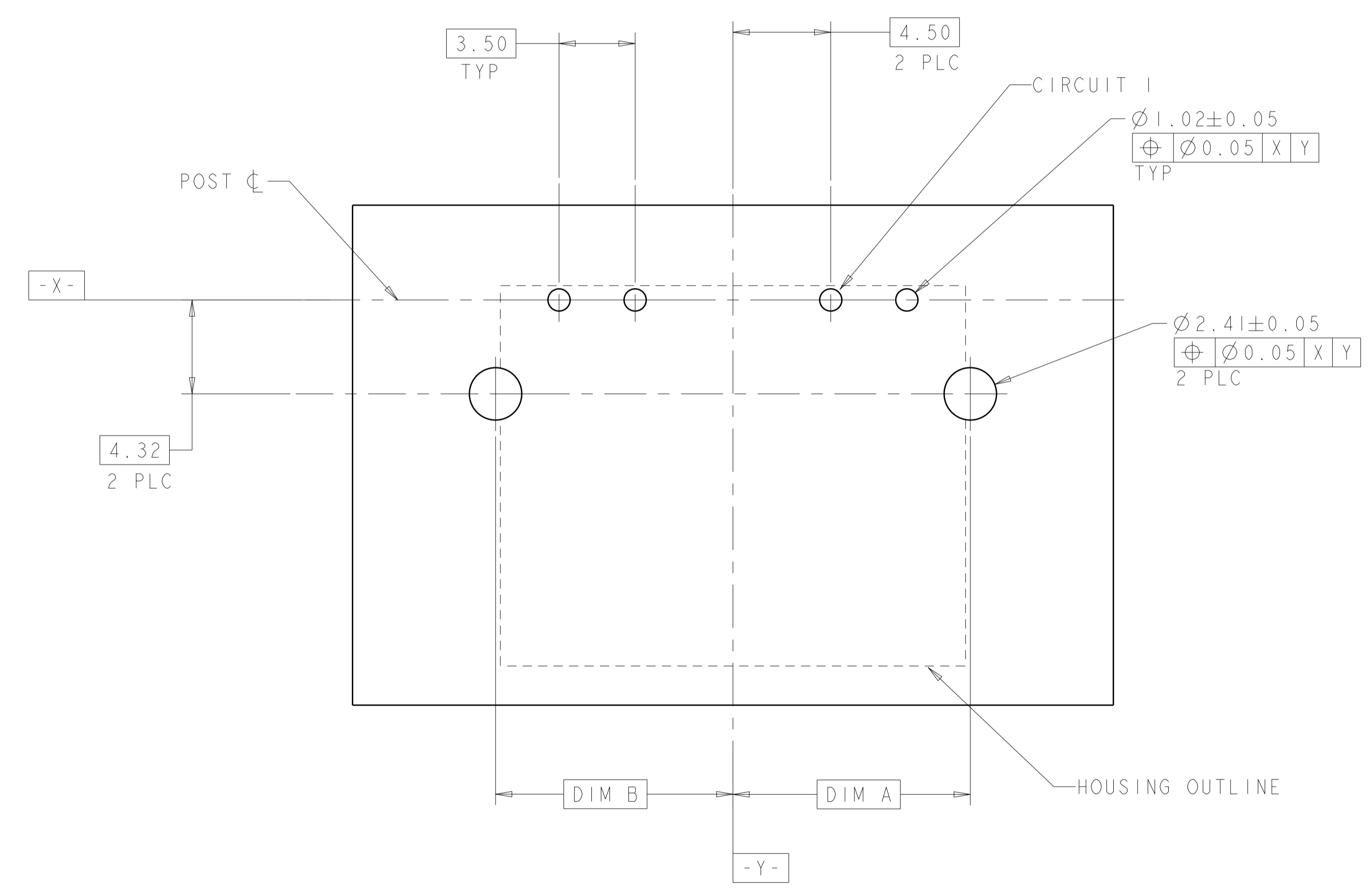
NAME: ASSEMBLY, RIGHT ANGLE THRU-HOLE HEADER, SLIMSEAL SSL CONNECTOR

PRODUCT SPEC: 108-2391
 APPLICATION SPEC: 114-13261
 WEIGHT: -

MATERIAL: FINISH:

CUSTOMER DRAWING SCALE: 4:1 SHEET 1 OF 2 REV B

LOC		DIST		REVISIONS			
P	LTN	DESCRIPTION	DATE	DMN	APVD		
-	-	SEE SHEET 1	-	-	-	-	-



RECOMMENDED PC BOARD HOLE LAYOUT, COMPONENT SIDE ⁵
 DIMENSIONS APPLY TO ALL POSITIONS, UNLESS OTHERWISE NOTED

THIS DRAWING IS A CONTROLLED DOCUMENT.		DMN: HM VAN SCIO 20FEB2009	TE Connectivity
		CHK: A. BUCHER 20FEB2009	
DIMENSIONS:		APVD: A. BUCHER 20FEB2009	NAME: ASSEMBLY, RIGHT ANGLE THRU-HOLE HEADER, SLIMSEAL SSL CONNECTOR PRODUCT SPEC: 108-2391 APPLICATION SPEC: 114-13261
mm	TOLERANCES UNLESS OTHERWISE SPECIFIED:		
	0 PLC ±	SIZE: A100779C=2106111	RESTRICTED TO:
	1 PLC ±	WEIGHT: -	
	2 PLC ±0.13	CUSTOMER DRAWING	SCALE: 4:1 SHEET 2 OF 2 REV B
	3 PLC ±0.013		
	4 PLC ±		
	ANGLES ±2°		
MATERIAL: -	FINISH: -		

X-ON Electronics

Largest Supplier of Electrical and Electronic Components

Click to view similar products for [Lighting Connectors](#) category:

Click to view products by [TE Connectivity](#) manufacturer:

Other Similar products are found below :

[293300-7](#) [293660-5](#) [CNX_H03_NTP](#) [30-9767-BU](#) [3605](#) [3-21030-1](#) [ZCH-110-RGB-I](#) [503471-0290](#) [ZCH-110-RGB-J](#) [217-0716-200](#)
[1954563-1](#) [1-293657-2](#) [2834036-1](#) [2834037-1](#) [1-2213222-4](#) [2-2213222-4](#) [2213222-4](#) [2834122-3](#) [2834122-5](#) [2834135-2](#) [FLA-R4142-30](#)
[FLA-R4162-30](#) [FLA-R2142-30](#) [FLA-R2141-30](#) [FLA-R2162-30](#) [FLA-R2161-30](#) [FLA-R0161-30](#) [FLA-R0141-30](#) [FLA-R0142-30](#) [FLA-](#)
[R0162-30](#) [FLA-C00-00](#) [DGA00010553](#) [CNXV04NTP](#) [104128-0610](#) [503485-0000 \(Cut Strip\)](#) [503485-0000 \(Loose Piece\)](#) [503485-0000](#)
[\(MINI Reel\)](#) [1-2834074-2](#) [1-2834074-3](#) [1357-AC PLUG W2C \(CHINA\)](#) [1357-AC PLUG W2 \(USA\)](#) [104266-0110](#) [2106212-1](#) [2-2834074-2](#)
[104266-0210](#) [293470-1](#) [293651-2](#) [293651-4](#) [1-2834006-2](#) [293651-1](#)