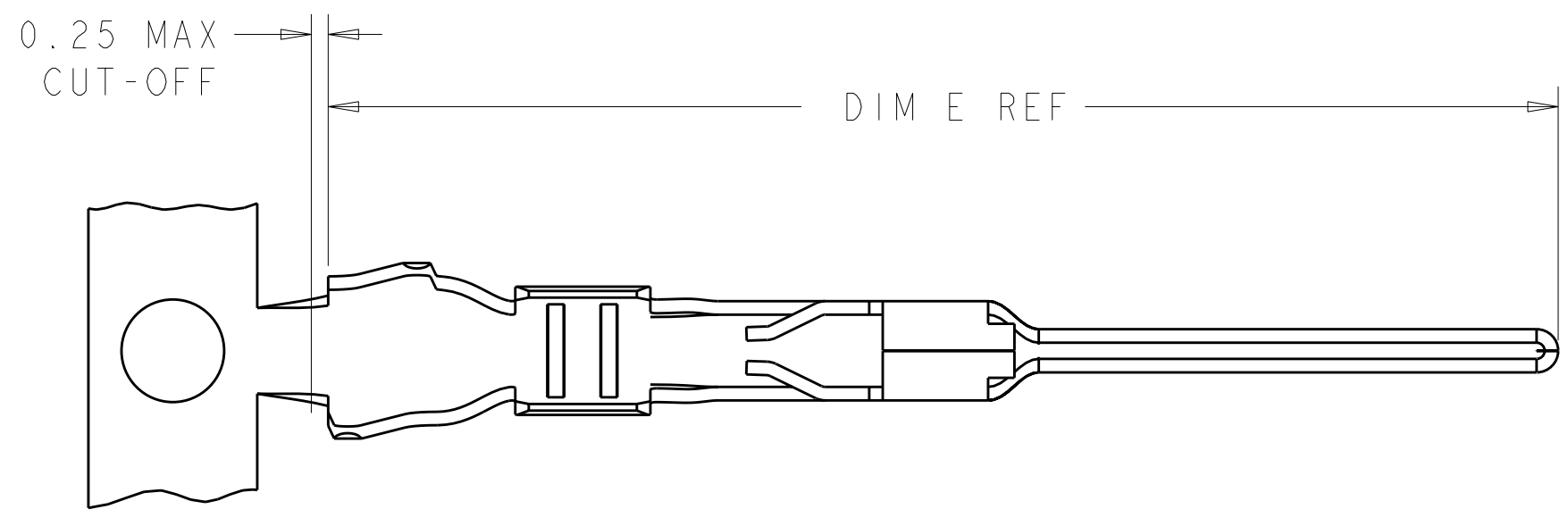
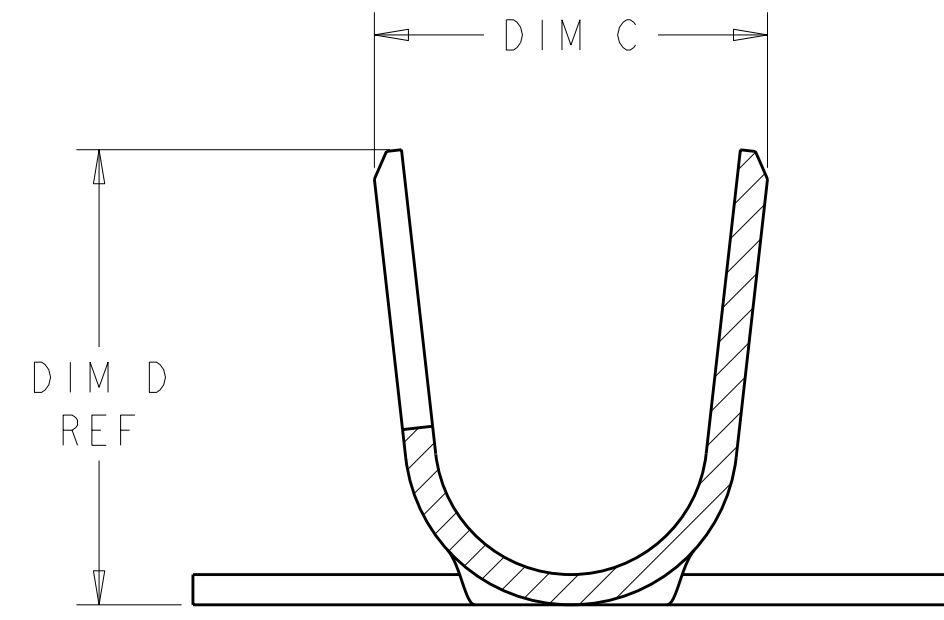
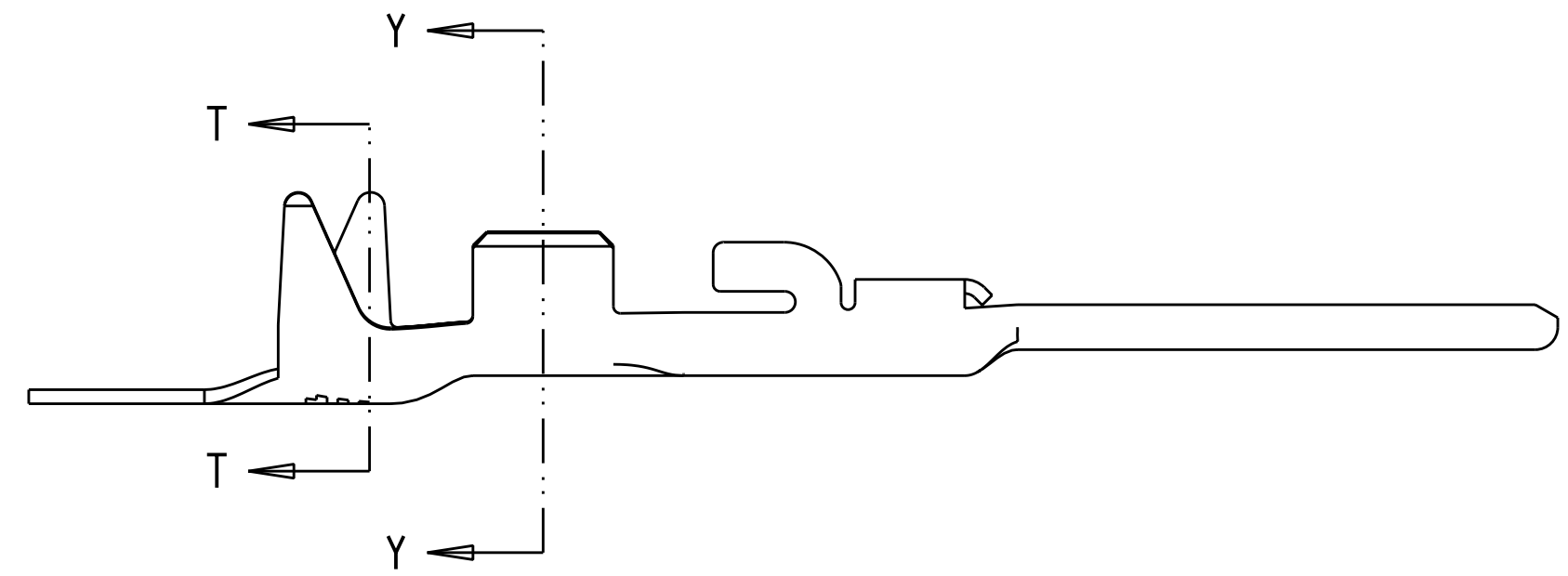


THIS DRAWING IS UNPUBLISHED. RELEASED FOR PUBLICATION 20
 © COPYRIGHT 20 BY - ALL RIGHTS RESERVED.

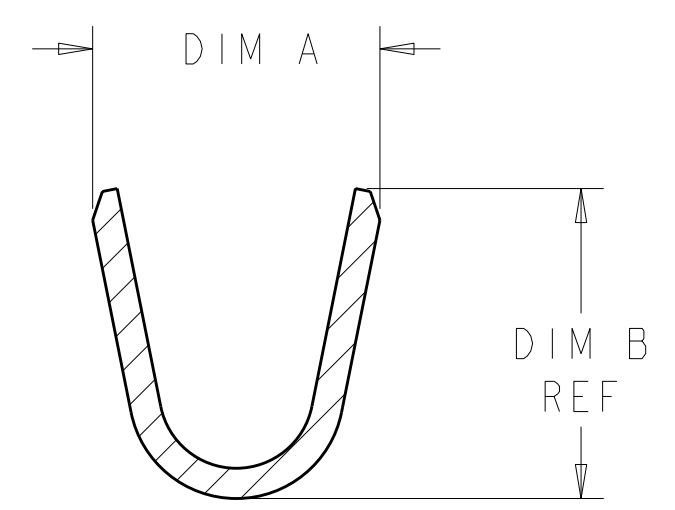
REVISONS		DATE	DWN	APVD
P	LTR	DESCRIPTION		
A3		REVISED PER ECO-11-004820	11MAR2011	RK HMR
A4		REVISED PER ECR-11-014651	20JUL2011	RK DD
A5		REVISED PER ECR-11-016987	5SEP2011	RS DD



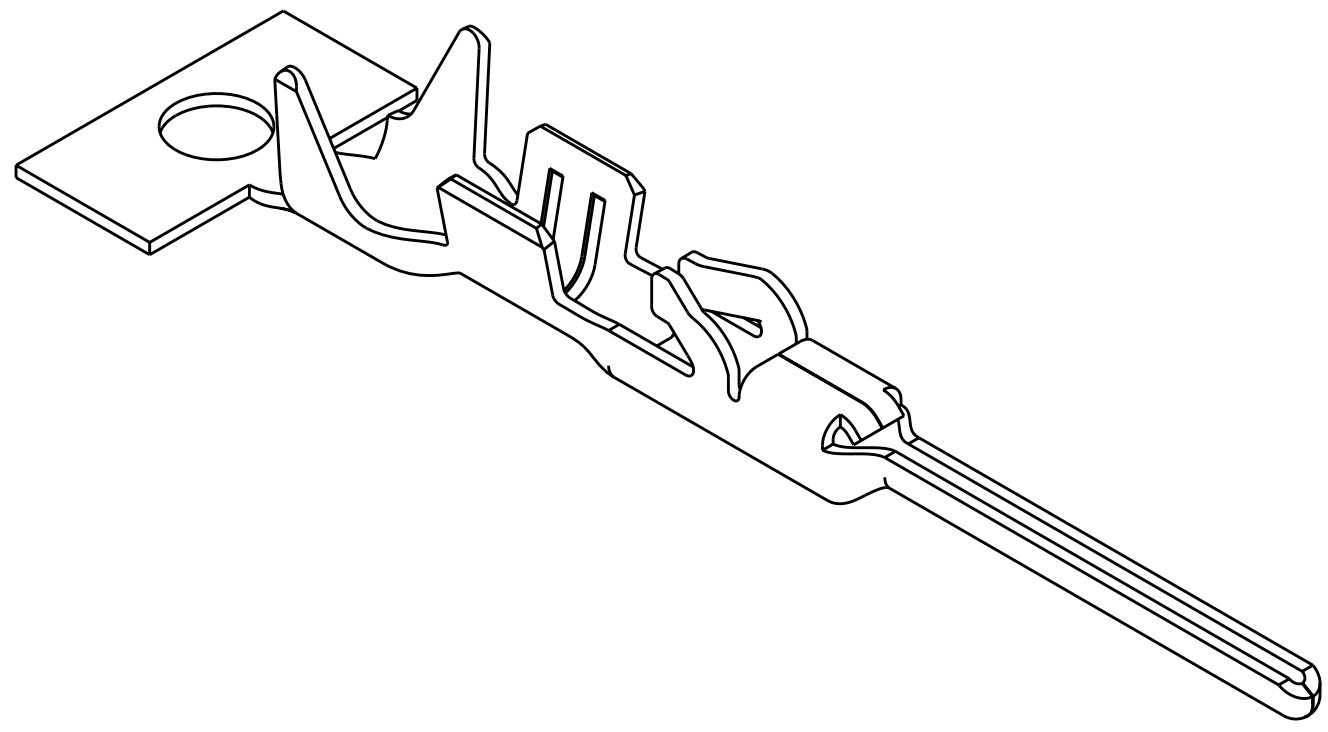
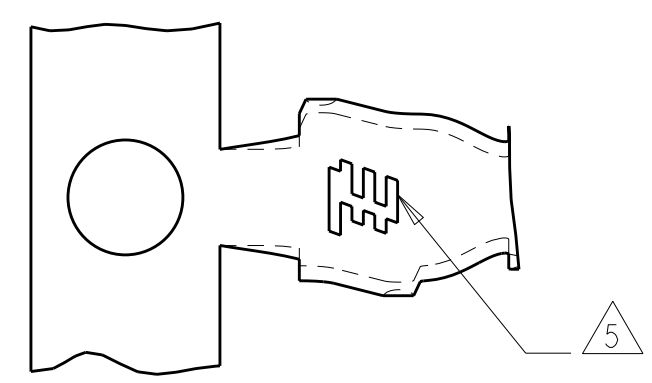
- ① BRASS, 0.20 THK. REF
- ② NICKEL UNDERPLATE OVER ALL
- ③ 0.00254 MIN THK BRIGHT TIN ENTIRE CONTACT OVER NICKEL UNDERPLATE
- ④ 0.00038 THK GOLD STRIPE
- ⑤ TE CONNECTIVITY LOGO LOCATED APPROXIMATELY AS SHOWN
- ⑥ 0.000762 THK GOLD STRIPE



SECTION T-T
SCALE 20:1



SECTION Y-Y
SCALE 20:1



18.24	2.40	2.60 2.20	1.55	1.96 1.57	1.30 - 1.60	22-24 AWG	ON REEL	⑥	3-2106124-3
18.24	2.40	2.60 2.20	1.55	1.96 1.57	1.30 - 1.60	22-24 AWG	LOOSE PIECE	② ③	2-2106124-7
18.24	2.40	2.60 2.20	1.55	1.96 1.57	1.30 - 1.60	22-24 AWG	ON REEL	② ③ ④	2-2106124-3
18.24	2.40	2.60 2.20	1.55	1.96 1.57	1.30 - 1.60	22-24 AWG	ON REEL	② ③	2-2106124-2
18.24	3.01	2.80 2.40	2.05	2.32 1.92	1.70 - 2.10	18-20 AWG	LOOSE PIECE	② ③	2106124-9
18.24	3.01	2.80 2.40	2.05	2.32 1.92	1.70 - 2.10	18-20 AWG	ON REEL	② ③ ④	2106124-3
18.24	3.01	2.80 2.40	2.05	2.32 1.92	1.70 - 2.10	18-20 AWG	ON REEL	② ③	2106124-2
DIM E	DIM D	DIM C	DIM B	DIM A	INSULATION DIA	WIRE RANGE	REMARKS	FINISH	PART NO

THIS DRAWING IS A CONTROLLED DOCUMENT.

DWN R BROWN 05MAR2009	TE Connectivity
CHK A BUCHER 05MAR2009	
APVD -	NAME CONTACT, TAB, CRIMP SNAP-IN SLIM SEAL SSL
PRODUCT SPEC 108-2391	SIZE A2
APPLICATION SPEC 114-13261	CAGE CODE 00779
WEIGHT -	DRAWING NO 2106124
MATERIAL ①	RESTRICTED TO -
SEE NOTES	SCALE 10:1
CUSTOMER DRAWING	SHEET 1 OF 1
	REV A5

X-ON Electronics

Largest Supplier of Electrical and Electronic Components

Click to view similar products for [Lighting Connectors](#) category:

Click to view products by [TE Connectivity](#) manufacturer:

Other Similar products are found below :

[293300-7](#) [293660-5](#) [CNX_H03_NTP](#) [30-9767-BU](#) [3605](#) [3-21030-1](#) [ZCH-110-RGB-I](#) [503471-0290](#) [ZCH-110-RGB-J](#) [217-0716-200](#)
[1954563-1](#) [1-293657-2](#) [2834036-1](#) [2834037-1](#) [1-2213222-4](#) [2-2213222-4](#) [2213222-4](#) [2834122-3](#) [2834122-5](#) [2834135-2](#) [FLA-R4142-30](#)
[FLA-R4162-30](#) [FLA-R2142-30](#) [FLA-R2141-30](#) [FLA-R2162-30](#) [FLA-R2161-30](#) [FLA-R0161-30](#) [FLA-R0141-30](#) [FLA-R0162-30](#) [FLA-C00-](#)
[00](#) [DGA00010553](#) [CNXV04NTP](#) [104128-0610](#) [503485-0000 \(Cut Strip\)](#) [503485-0000 \(Loose Piece\)](#) [503485-0000 \(MINI Reel\)](#) [1-2834074-2](#)
[1-2834074-3](#) [1357-AC PLUG W2C \(CHINA\)](#) [1357-AC PLUG W2 \(USA\)](#) [104266-0110](#) [2106212-1](#) [2-2834074-2](#) [104266-0210](#) [293470-1](#)
[293651-2](#) [293651-4](#) [1-2834006-2](#) [293651-1](#) [2213142-3](#)