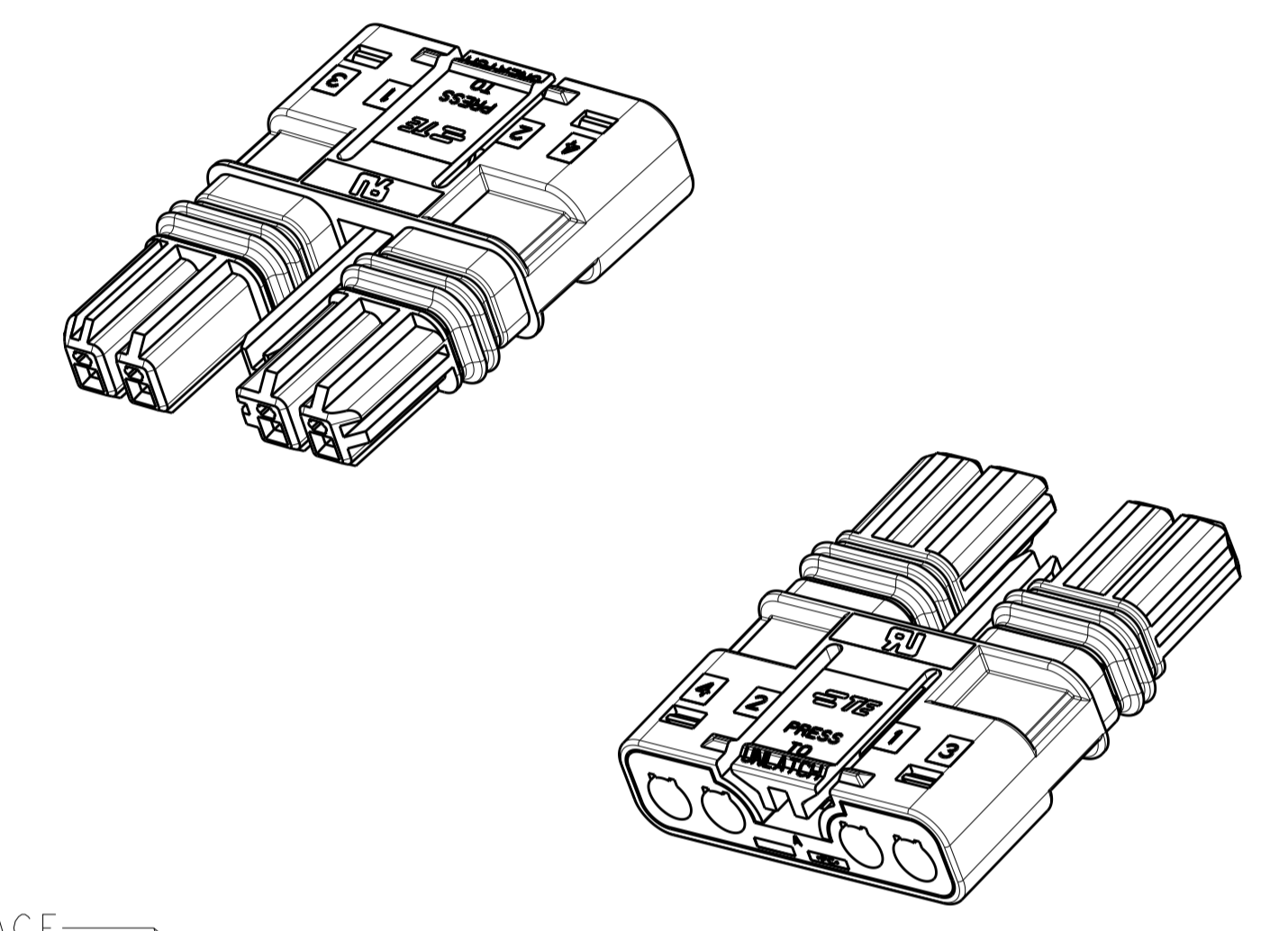
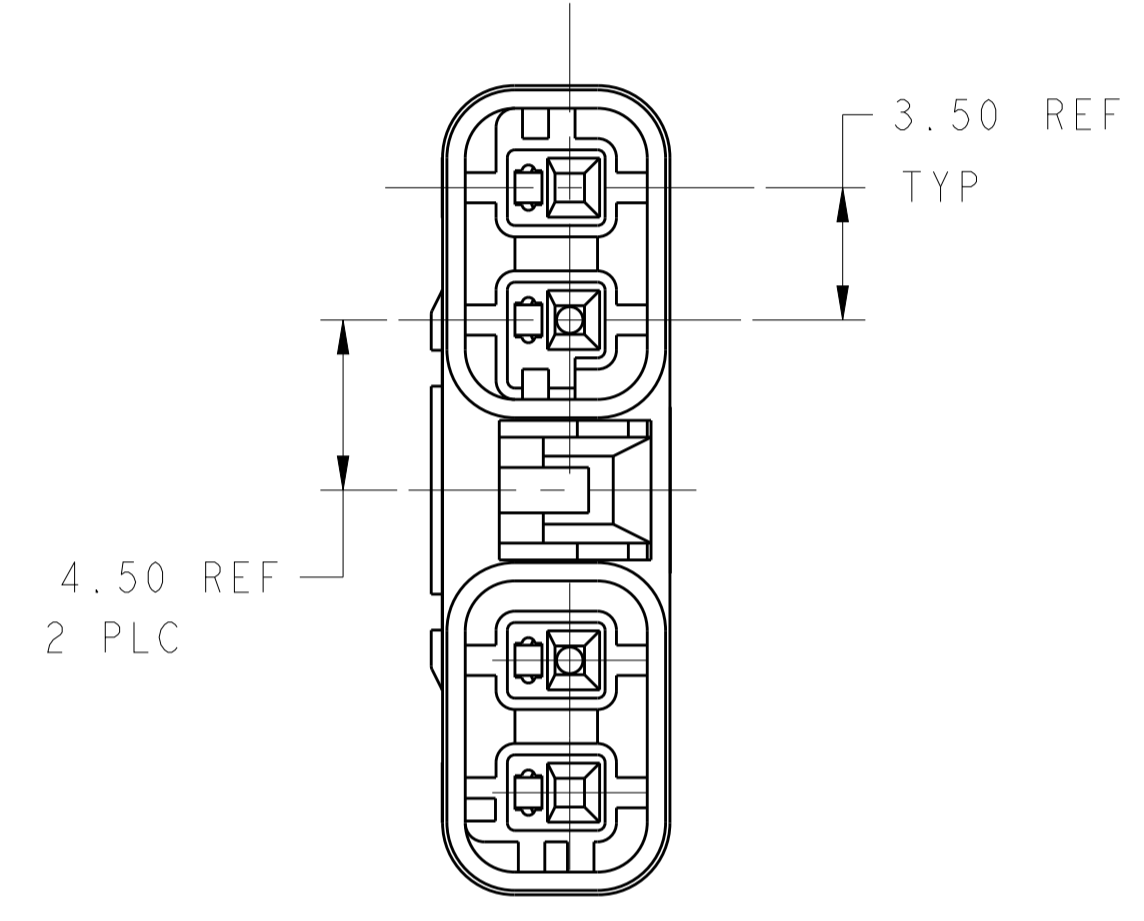
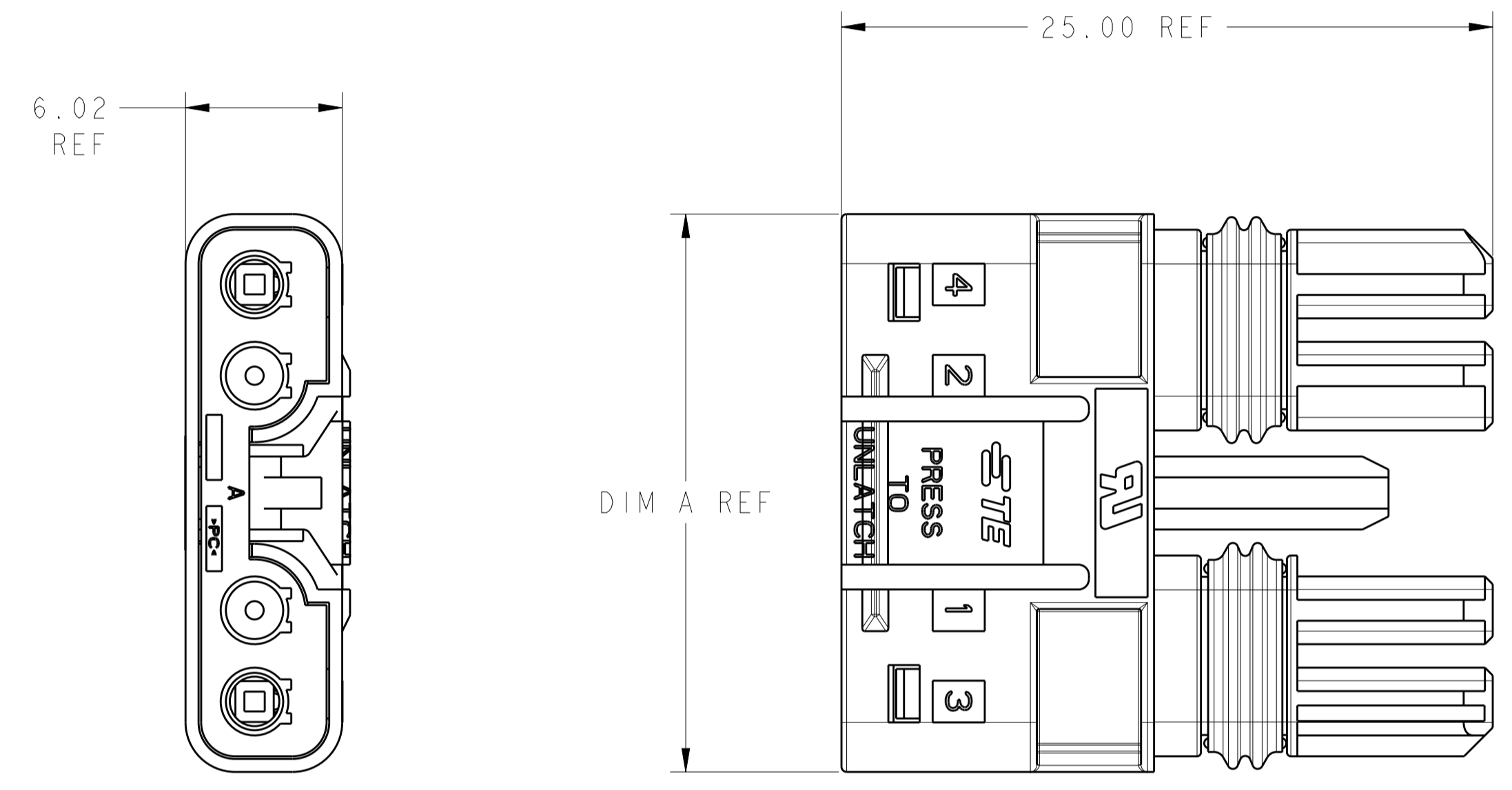
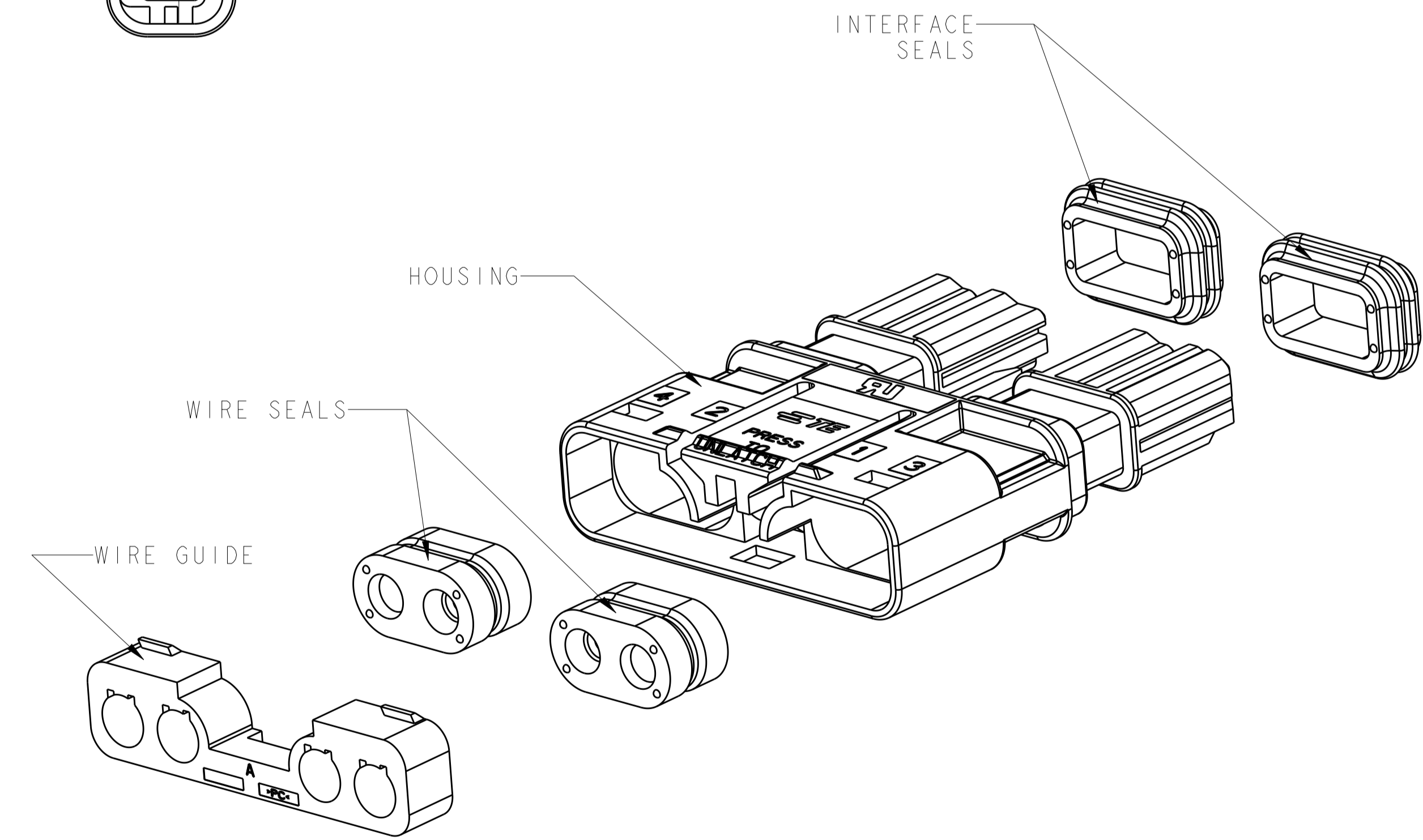
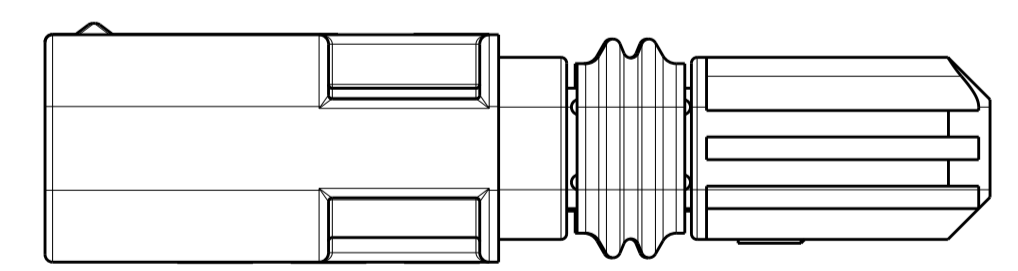


| LOC | DIST | REVISIONS | | | | | |
|-----|------|-----------|-----|---------------------------|-----------|-----|------|
| CM | 00 | P | LTN | DESCRIPTION | DATE | DWN | APVD |
| | | A1 | | REVISED PER ECO-11-004820 | 11MAR2011 | RK | HMR |
| | | B | | REVISED PER ECO-11-012970 | 26DEC2011 | HVG | DD |
| | | B1 | | REVISED PER ECO-12-009130 | 15MAY2012 | RS | DD |
| | | B2 | | REVISED PER ECO-17-002947 | 09MAY2017 | SK | DD |

- ⚠ MATERIAL: HOUSING: POLYCARBONATE, FI PER UL 746C, COLOR: BLACK
 WIRE GUIDE: POLYCARBONATE, FI PER UL 746C, COLOR: BLACK
 SEALS: SILICONE RUBBER, COLOR BLUE
- THIS PART HAS NOT COMPLETED VALIDATION TESTING.
 - MUST COMPLY WITH DIRECTIVE 2002/95/EC (ROHS).



2106135-4
 SCALE 3:1



2106135-4 SHOWN

| | | |
|-----------|-------------|-------------|
| 21.40 | 4 | 2106135-4 |
| 17.90 | 3 | 2106135-3 |
| 14.40 | 2 | 2106135-2 |
| DIM A REF | NO. OF POSN | PART NUMBER |

| | | | | |
|--|--------|-----------------------------|---|--|
| THIS DRAWING IS A CONTROLLED DOCUMENT. | | DWN: HM VAN SCIOK 12FEB2009 | TE Connectivity | |
| DIMENSIONS: mm | | CHK: A. BUCHER 12FEB2009 | | |
| TOLERANCES UNLESS OTHERWISE SPECIFIED: | | APVD: A. BUCHER 12FEB2009 | NAME: ASSEMBLY, PLUG, FREE HANGING SLIMSEAL SSL CONNECTOR | |
| 0 PLC | ± | PRODUCT SPEC | SIZE: CAGE CODE: DRAWING NO: RESTRICTED TO | |
| 1 PLC | ±0.2 | 108-2391 | A100779C=2106135 | |
| 2 PLC | ±0.15 | APPLICATION SPEC | SCALE: 4:1 SHEET 1 OF 1 REV: B2 | |
| 3 PLC | ± | 114-13261 | | |
| 4 PLC | ± | WEIGHT | | |
| ANGLES | ±° | CUSTOMER DRAWING | | |
| MATERIAL | FINISH | | | |

X-ON Electronics

Largest Supplier of Electrical and Electronic Components

Click to view similar products for [Lighting Connectors](#) category:

Click to view products by [TE Connectivity](#) manufacturer:

Other Similar products are found below :

[293300-7](#) [293660-5](#) [CNX_H03_NTP](#) [30-9767-BU](#) [3605](#) [3-21030-1](#) [ZCH-110-RGB-I](#) [503471-0290](#) [ZCH-110-RGB-J](#) [217-0716-200](#)
[1954563-1](#) [1-293657-2](#) [2834036-1](#) [2834037-1](#) [1-2213222-4](#) [2-2213222-4](#) [2213222-4](#) [2834122-3](#) [2834122-5](#) [2834135-2](#) [FLA-R4142-30](#)
[FLA-R4162-30](#) [FLA-R2142-30](#) [FLA-R2141-30](#) [FLA-R2162-30](#) [FLA-R2161-30](#) [FLA-R0161-30](#) [FLA-R0141-30](#) [FLA-R0142-30](#) [FLA-](#)
[R0162-30](#) [FLA-C00-00](#) [DGA00010553](#) [CNXV04NTP](#) [104128-0610](#) [503485-0000 \(Cut Strip\)](#) [503485-0000 \(Loose Piece\)](#) [503485-0000](#)
[\(MINI Reel\)](#) [1-2834074-2](#) [1-2834074-3](#) [1357-AC PLUG W2C \(CHINA\)](#) [1357-AC PLUG W2 \(USA\)](#) [104266-0110](#) [2106212-1](#) [2-2834074-2](#)
[104266-0210](#) [293470-1](#) [293651-2](#) [293651-4](#) [1-2834006-2](#) [293651-1](#)