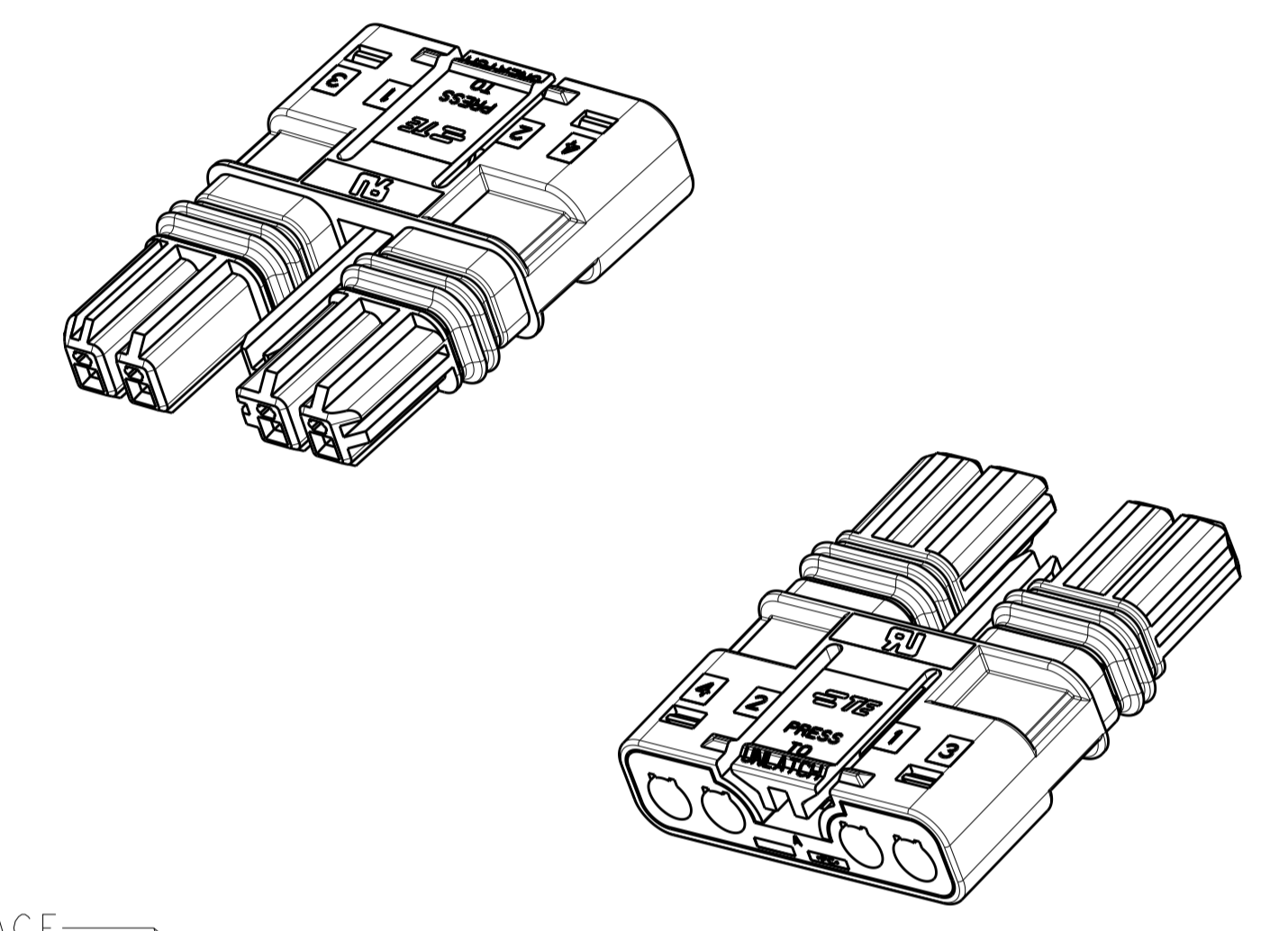
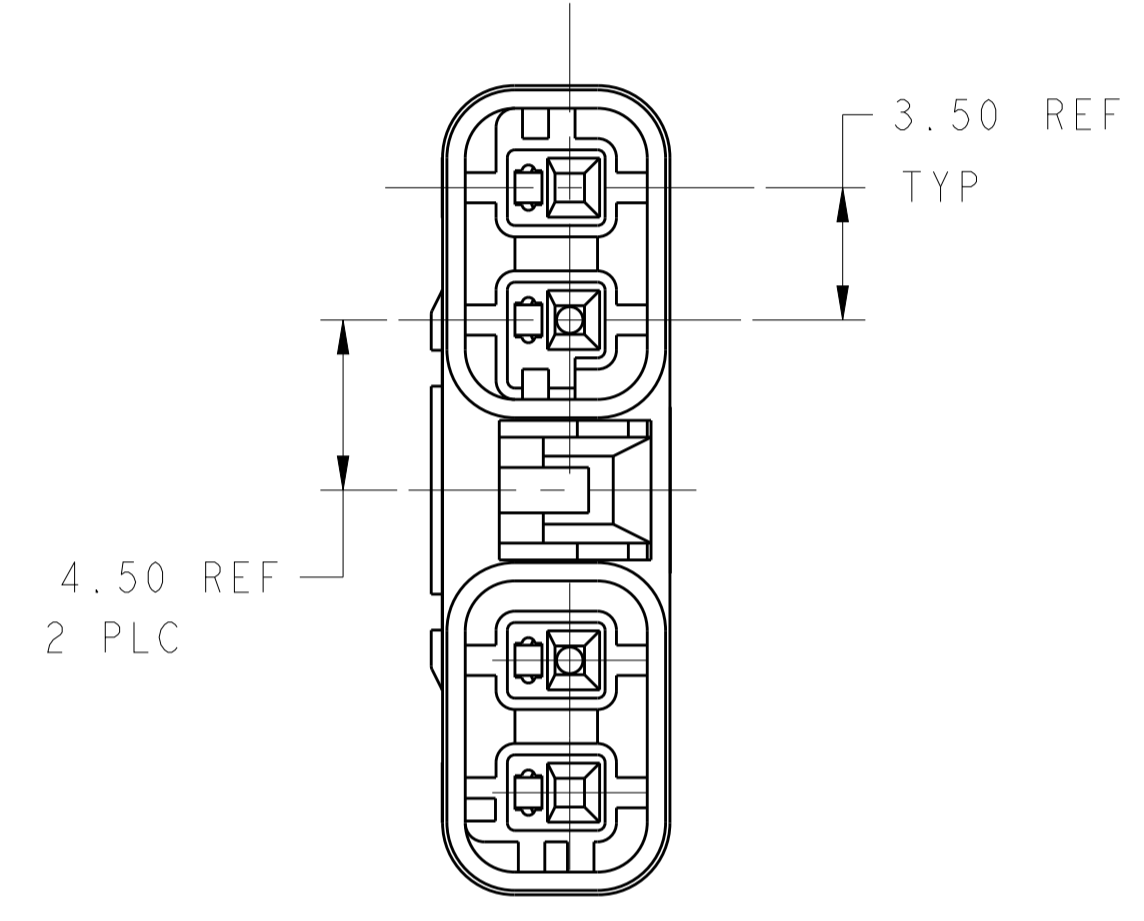
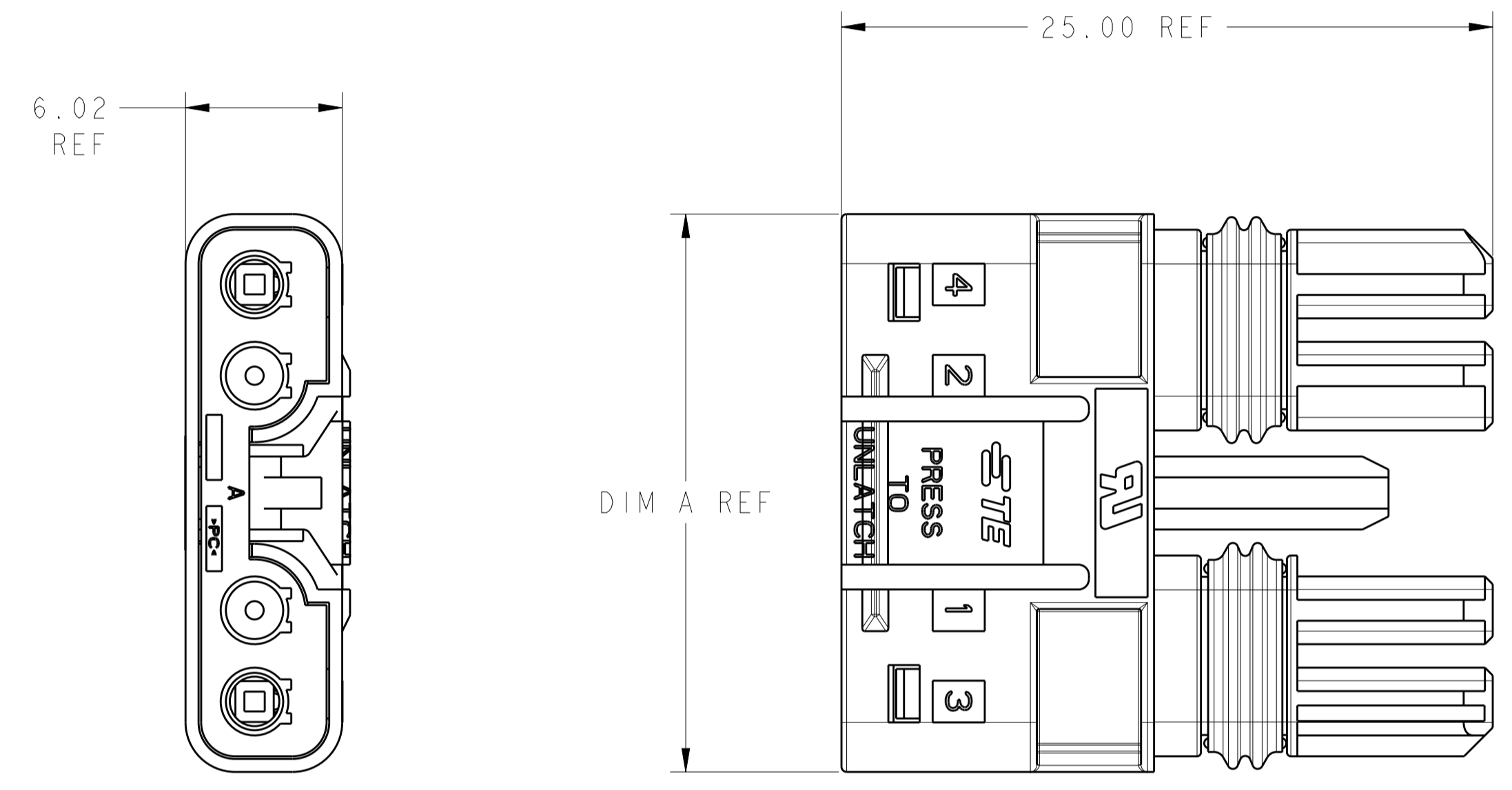
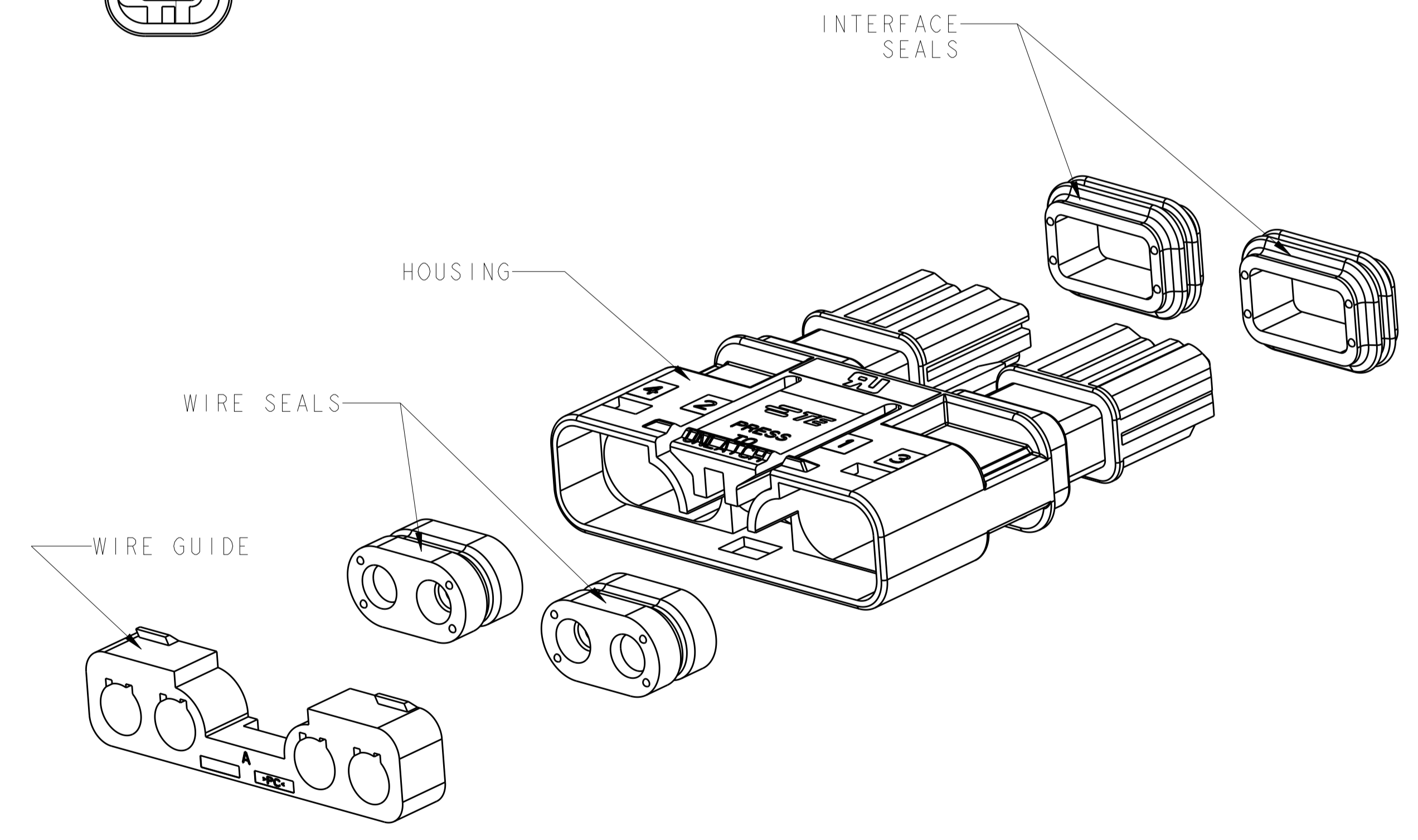
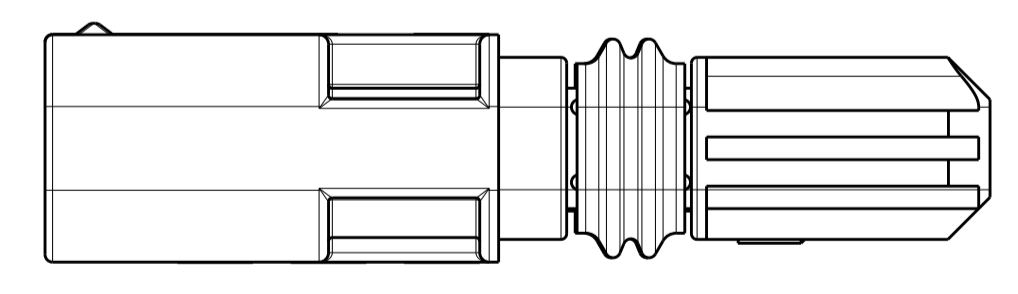


LOC	DIST	REVISIONS					
CM	00	P	LTH	DESCRIPTION	DATE	DWN	APVD
		A1		REVISED PER ECO-11-004820	11MAR2011	RK	HMR
		B		REVISED PER ECO-11-012970	26DEC2011	HVG	DD
		B1		REVISED PER ECO-12-009130	15MAY2012	RS	DD
		B2		REVISED PER ECO-17-002947	09MAY2017	SK	DD

- ⚠ MATERIAL: HOUSING: POLYCARBONATE, FI PER UL 746C, COLOR: BLACK
 WIRE GUIDE: POLYCARBONATE, FI PER UL 746C, COLOR: BLACK
 SEALS: SILICONE RUBBER, COLOR BLUE
- THIS PART HAS NOT COMPLETED VALIDATION TESTING.
 - MUST COMPLY WITH DIRECTIVE 2002/95/EC (ROHS).



2106135-4
 SCALE 3:1



2106135-4 SHOWN

21.40	4	2106135-4
17.90	3	2106135-3
14.40	2	2106135-2
DIM A REF	NO. OF POSN	PART NUMBER

THIS DRAWING IS A CONTROLLED DOCUMENT.		DWN: HM VAN SCIOK 12FEB2009	STE TE Connectivity	
DIMENSIONS: mm		CHK: A. BUCHER 12FEB2009		
TOLERANCES UNLESS OTHERWISE SPECIFIED:		APVD: A. BUCHER 12FEB2009	NAME: ASSEMBLY, PLUG, FREE HANGING SLIMSEAL SSL CONNECTOR	
0 PLC ±0.2		PRODUCT SPEC: 108-2391	SIZE: A1	
1 PLC ±0.15		APPLICATION SPEC: 114-13261	CAGE CODE: 2106135	
2 PLC ±0.1		WEIGHT: -	RESTRICTED TO: -	
3 PLC ±0.1		FINISH: -	SCALE: 4:1	
4 PLC ±0.1		ANGLE: ±0°	SHEET 1 OF 1	
MATERIAL: POLYCARBONATE		CUSTOMER DRAWING	REV: B2	

X-ON Electronics

Largest Supplier of Electrical and Electronic Components

Click to view similar products for [Lighting Connectors](#) category:

Click to view products by [TE Connectivity](#) manufacturer:

Other Similar products are found below :

[293300-7](#) [293660-5](#) [CNX_H03_NTP](#) [30-9767-BU](#) [3605](#) [3-21030-1](#) [ZCH-110-RGB-I](#) [503471-0290](#) [ZCH-110-RGB-J](#) [217-0716-200](#)
[1954563-1](#) [1-293657-2](#) [2834036-1](#) [2834037-1](#) [1-2213222-4](#) [2-2213222-4](#) [2213222-4](#) [2834122-3](#) [2834122-5](#) [2834135-2](#) [FLA-R4142-30](#)
[FLA-R4162-30](#) [FLA-R2142-30](#) [FLA-R2141-30](#) [FLA-R2162-30](#) [FLA-R2161-30](#) [FLA-R0161-30](#) [FLA-R0141-30](#) [FLA-R0142-30](#) [FLA-](#)
[R0162-30](#) [FLA-C00-00](#) [DGA00010553](#) [CNXV04NTP](#) [104128-0610](#) [503485-0000 \(Cut Strip\)](#) [503485-0000 \(Loose Piece\)](#) [503485-0000](#)
[\(MINI Reel\)](#) [1-2834074-2](#) [1-2834074-3](#) [1357-AC PLUG W2C \(CHINA\)](#) [1357-AC PLUG W2 \(USA\)](#) [104266-0110](#) [CNXV02NTP](#) [2106212-1](#)
[2-2834074-2](#) [104266-0210](#) [293470-1](#) [293651-2](#) [293651-4](#) [1-2834006-2](#)