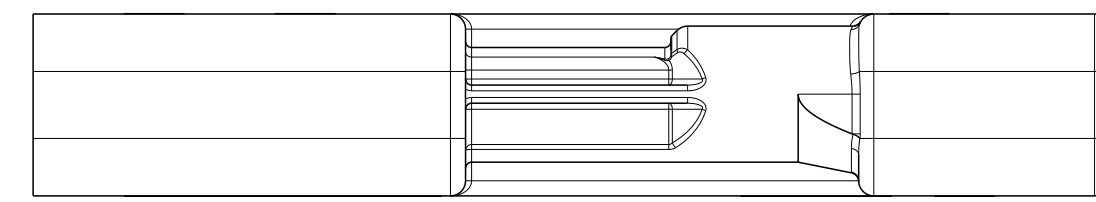
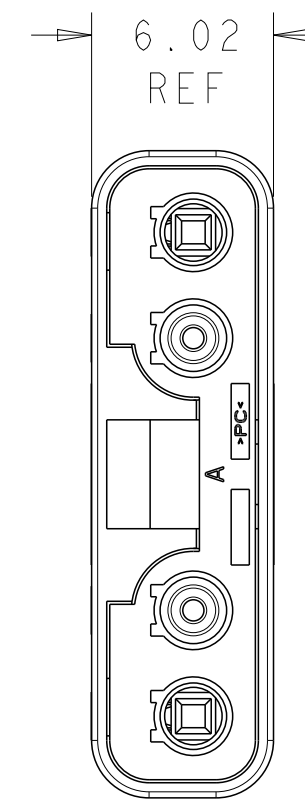
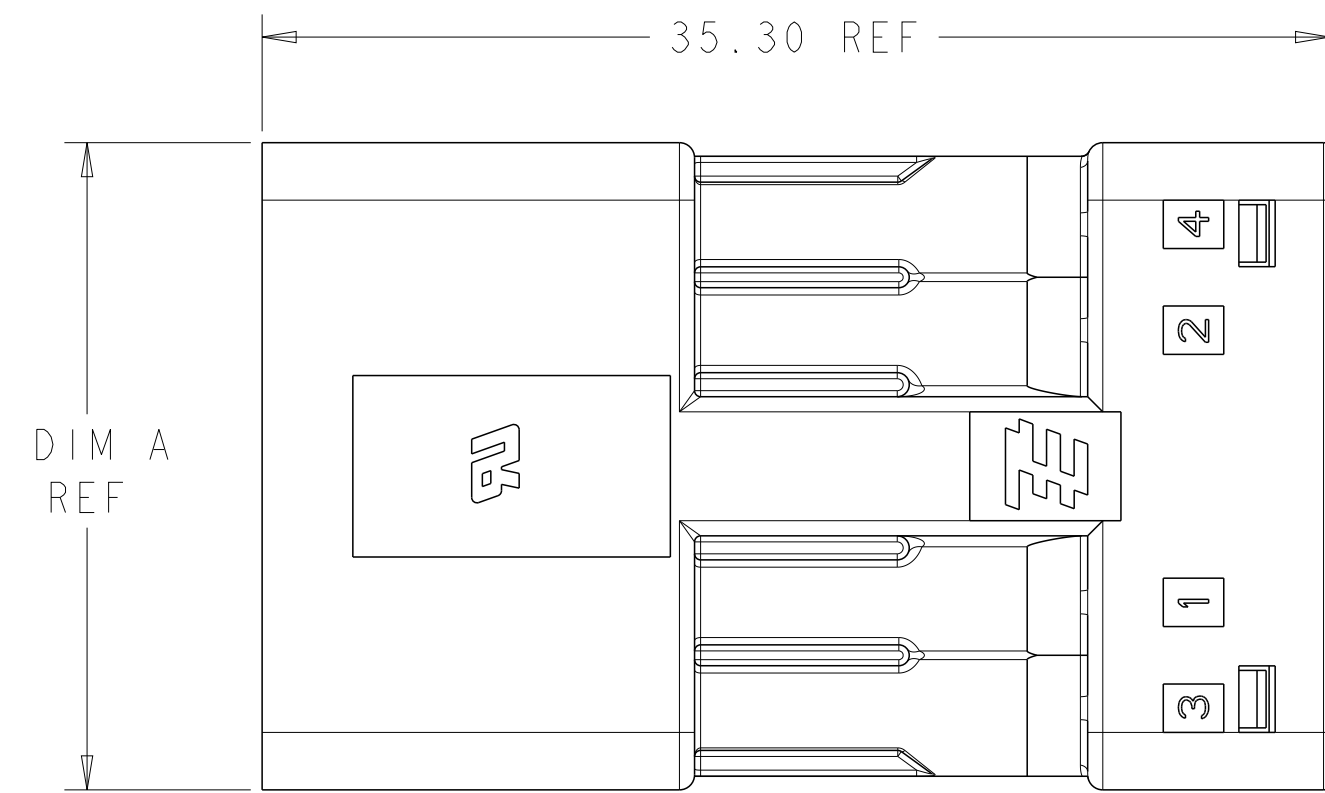
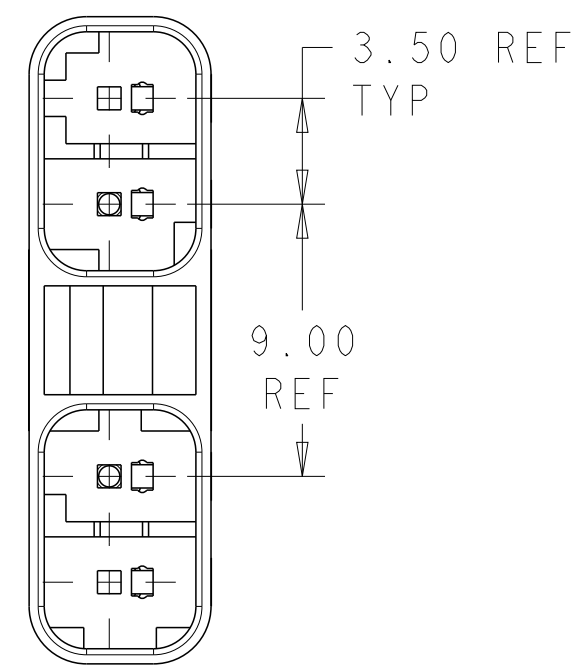


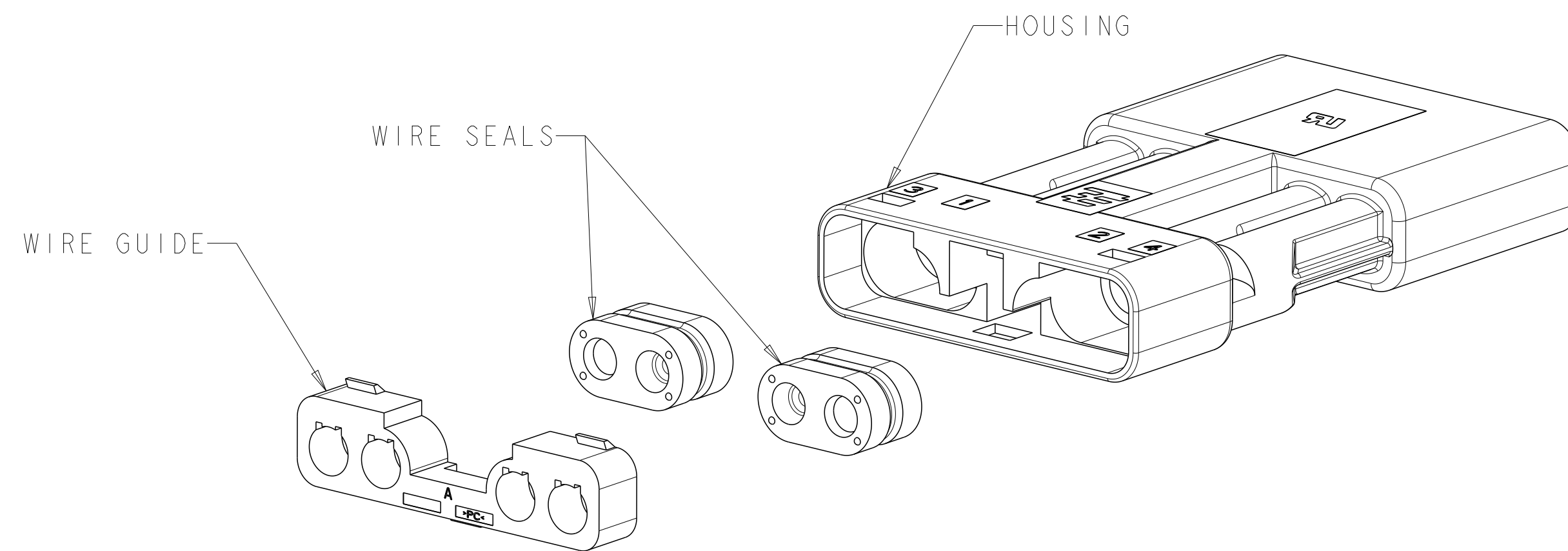
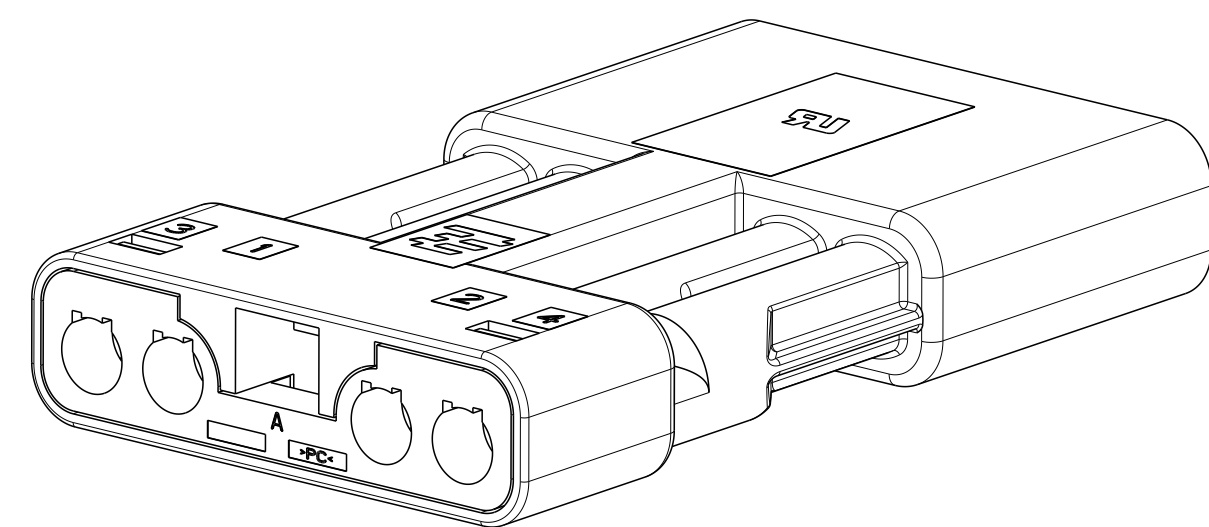
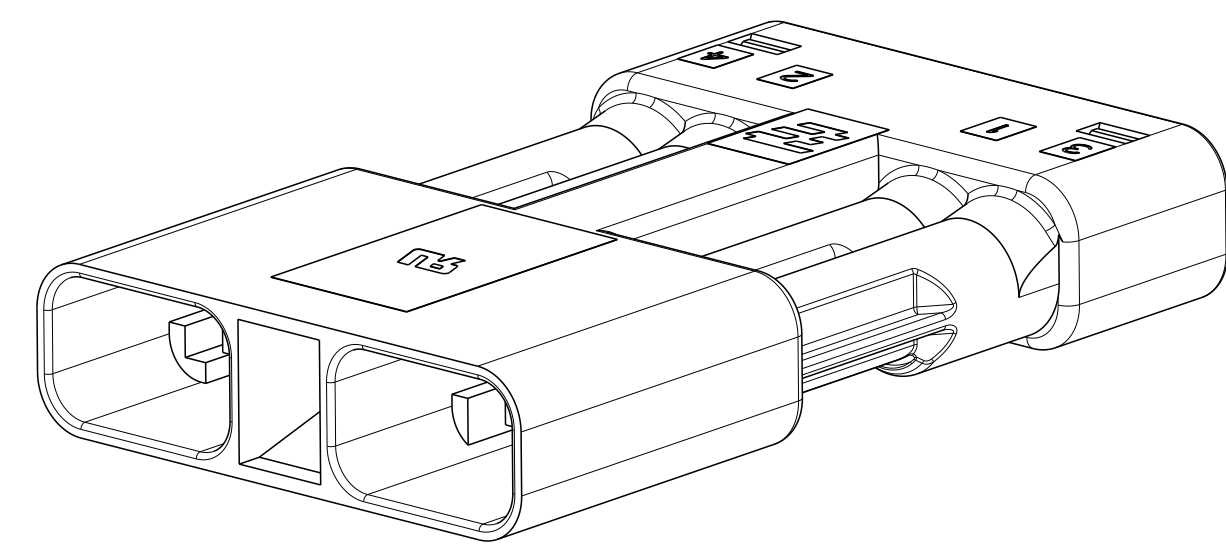
| LOC | | DIST | | REVISIONS | | | |
|-----|-----|---------------------------|-----------|-----------|------|--|--|
| P | LTN | DESCRIPTION | DATE | DMN | APVD | | |
| A1 | | REVISED PER ECO-11-004820 | 11MAR2011 | RK | HMR | | |
| A2 | | REVISED PER ECR-12-017779 | 19OCT2012 | RS | DD | | |



- ⚠ MATERIALS:
 HOUSING: POLYCARBONATE, FI PER UL 746C,
 COLOR: BLACK
 WIRE GUIDE: POLYCARBONATE, FI PER UL 746C,
 COLOR: BLACK
 WIRE SEALS: SILICONE RUBBER, COLOR: BLUE
- THIS PART HAS NOT COMPLETED VALIDATION TESTING.
 - MUST COMPLY WITH DIRECTIVE 2002/95/EC (ROHS).



2106136-4 SHOWN



| | | |
|-------|------------|-------------|
| 21.40 | 4 | 2106136-4 |
| 17.90 | 3 | 2106136-3 |
| 14.40 | 2 | 2106136-2 |
| DIM A | NO OF POSN | PART NUMBER |

| | | | | |
|--|--|------------------------------|---|-------------------------------|
| THIS DRAWING IS A CONTROLLED DOCUMENT. | | DMN R BROWN 16FEB2009 | TE Connectivity | |
| DIMENSIONS: | | CHK A BUCHER 16FEB2009 | NAME ASSEMBLY, RECEPTACLE, FREE HANGING, SLIMSEAL SSL CONNECTOR | |
| mm | TOLERANCES UNLESS OTHERWISE SPECIFIED: | APVD | PRODUCT SPEC | RESTRICTED TO |
| 0 PLC | ± | | 108-2391 | |
| 2 PLC | ±0.2 | | APPLICATION SPEC | |
| 3 PLC | ±0.15 | | 114-13261 | |
| 4 PLC | ± | | SIZE | |
| ANGLES | ± | | 100779 | |
| MATERIAL | FINISH | WEIGHT | C=2106136 | |
| | | | CUSTOMER DRAWING | SCALE 4:1 SHEET 1 OF 1 REV A2 |

X-ON Electronics

Largest Supplier of Electrical and Electronic Components

Click to view similar products for [TE Connectivity](#) manufacturer:

Other Similar products are found below :

[D38999/24FJ4AN](#) [570416-000](#) [CLTEQ-M81CE-SSRELAY-4-20V](#) [4-1195131-0](#) [650069-000](#) [SMD100-2](#) [358838-000](#) [CB-1022B-78](#)
[RM707012](#) [RP410012](#) [MMS42](#) [1-640426-8](#) [2EDL4CM](#) [DTS20W19-11PD-3028-LC](#) [RM202615](#) [NC6-P104-06](#) [MSPS103B](#) [DTS26F21-](#)
[41HE-LC](#) [DTS26F21-41AE](#) [DTS26F21-41PE-LC](#) [DTS26F21-11SE-3028-LC](#) [30DCB6](#) [1932144-1](#) [293545-4](#) [LVR125S](#) [MS27466T25F4PB](#)
[CKB-38-78010](#) [TR04AI-TINELLOCKRING](#) [1206SFF150F/63-2](#) [D38999/20JB35HA](#) [TE1500A2R2J](#) [D38999/20WC8BB](#) [DTS24F19-11SC-](#)
[3028-LC](#) [D38999/24WG11HA](#) [D38999/24WG11HN](#) [MS27467T21F11H](#) [DJT16E21-11HA](#) [MS27467T21F35J](#) [MS27467T21F11J](#)
[MS27467T21F16H-LC](#) [MS27467T21F35H](#) [MS27467T21F41H-LC](#) [1206SFH150F/24-2](#) [RP330024](#) [DJT16E21-11PA-LC](#) [DJT16E21-11HA-](#)
[LC](#) [DJT16E21-11AA](#) [MS27467T21B11JA](#) [DJT16E21-11JA](#) [MS27467T21B11JA-LC](#)