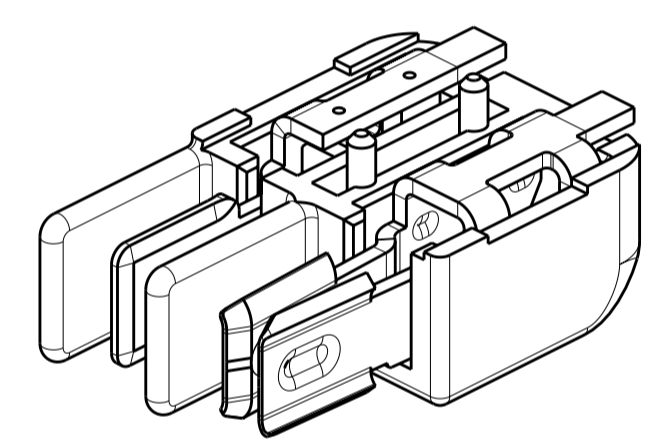
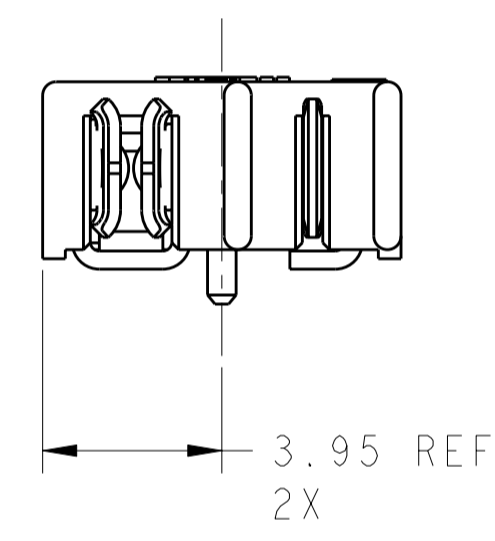
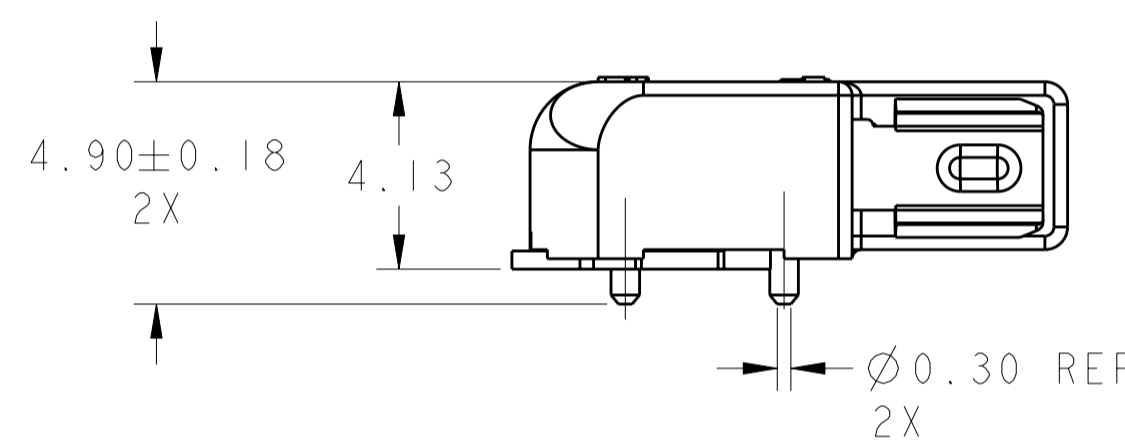
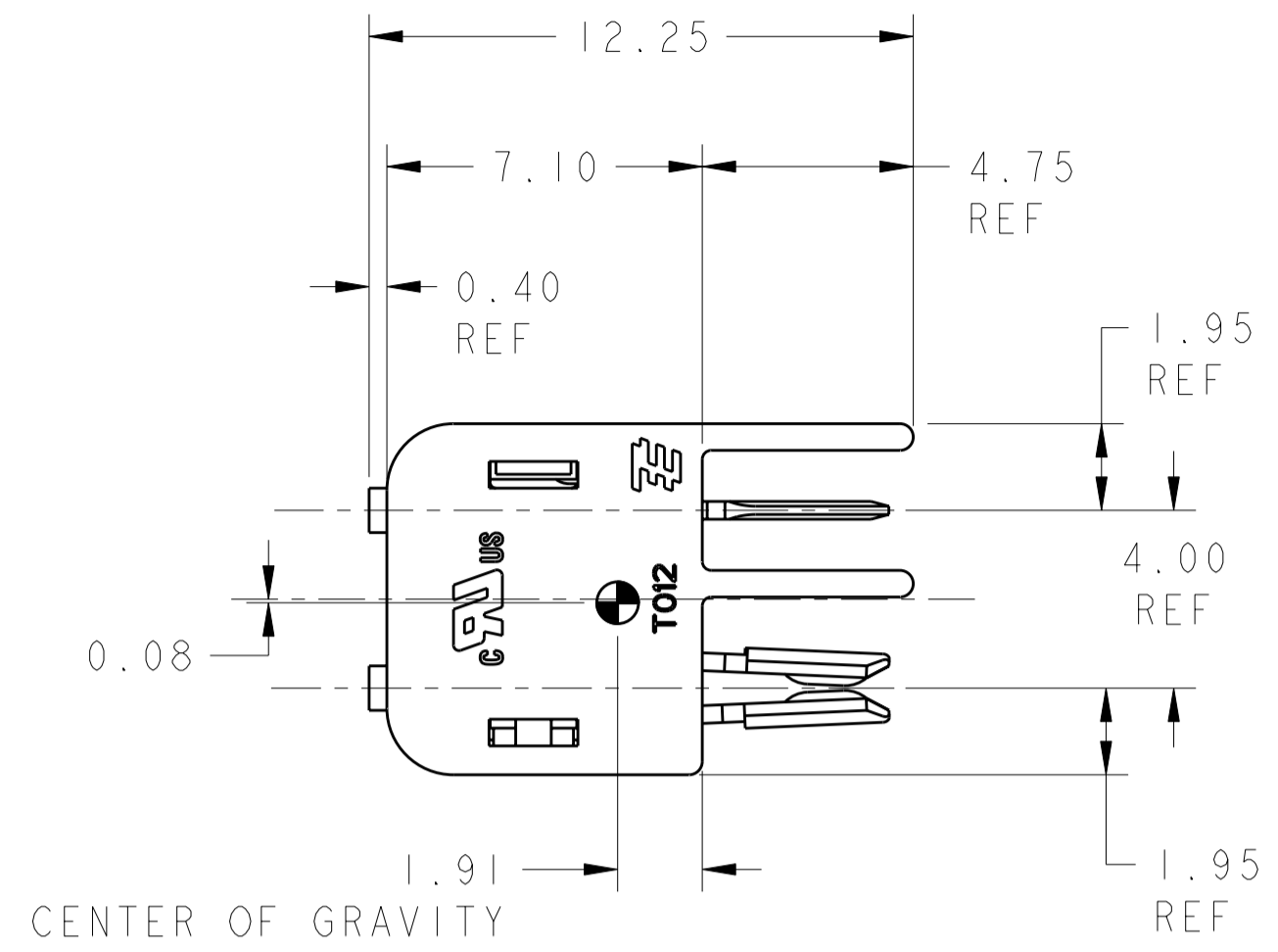


THIS DRAWING IS UNPUBLISHED. RELEASED FOR PUBLICATION 20
 © COPYRIGHT 20 ALL RIGHTS RESERVED.

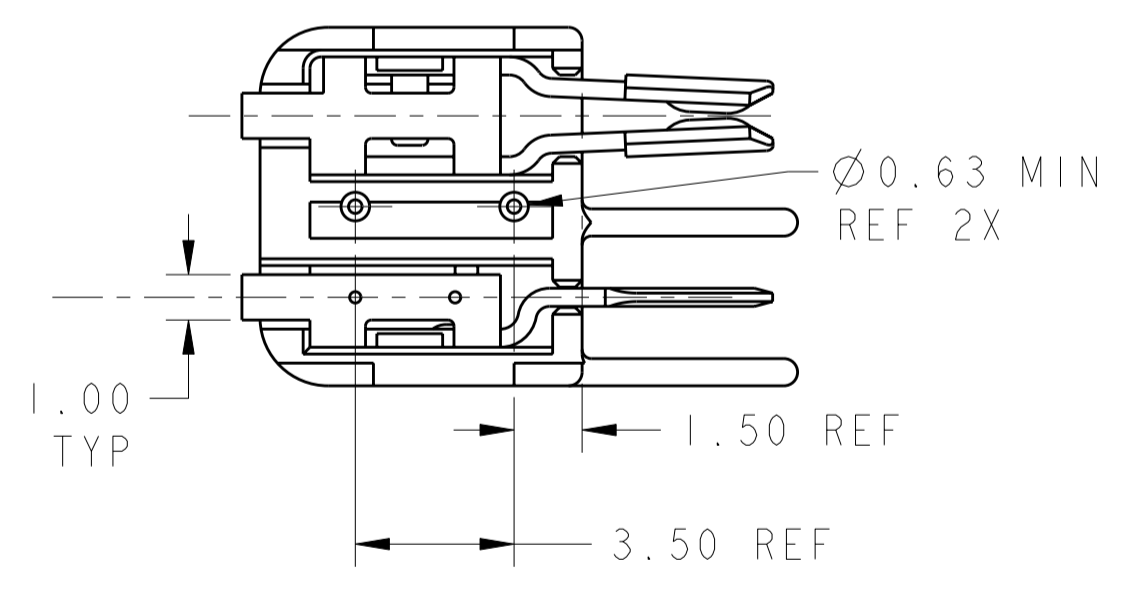
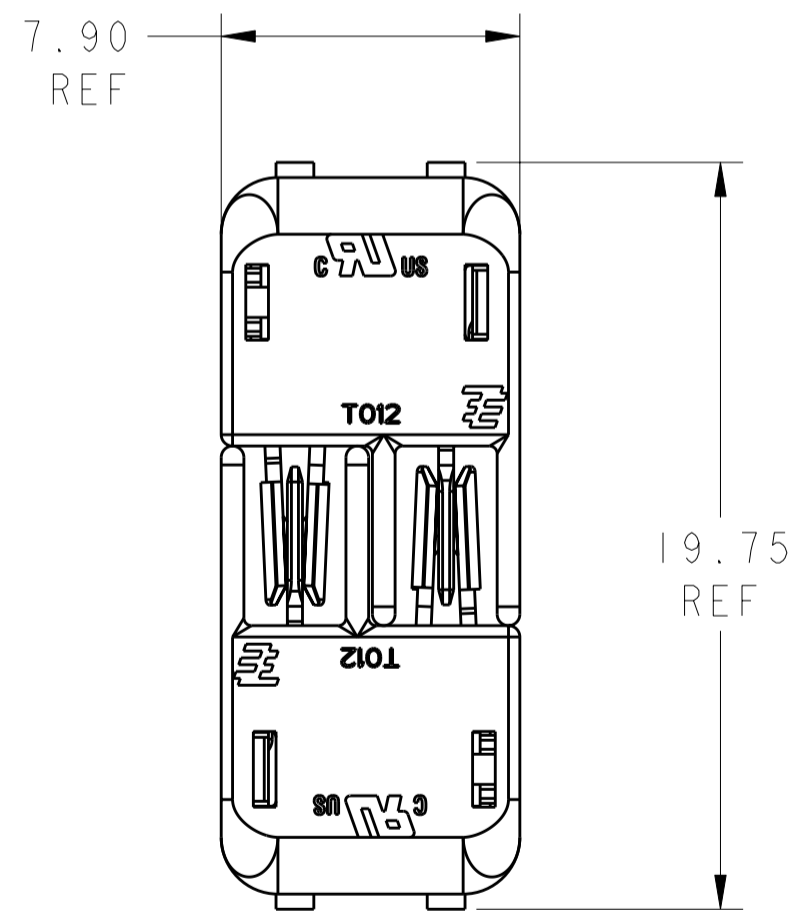
LOC		DIST		REVISIONS			
P	LTR	DESCRIPTION	DATE	DWN	APVD		
A1		REVISED PER ECR-10-015938	04AUG2010	HMR	DD		
A2		REVISED PER ECR-11-005777	23MAR2011	SK	DD		

NOTES:

- 1 MATERIALS AND FINISH
 - HOUSING: LCP
 - CONTACTS: COPPER ALLOY, FINISH: TIN
- 2 PRODUCT TO COMPLY WITH DIRECTIVE 2002/95/EC (ROHS)
- 3 PACKAGED IN TAPE AND REEL PER EIA-481 SPECIFICATION



2106212-1 SHOWN



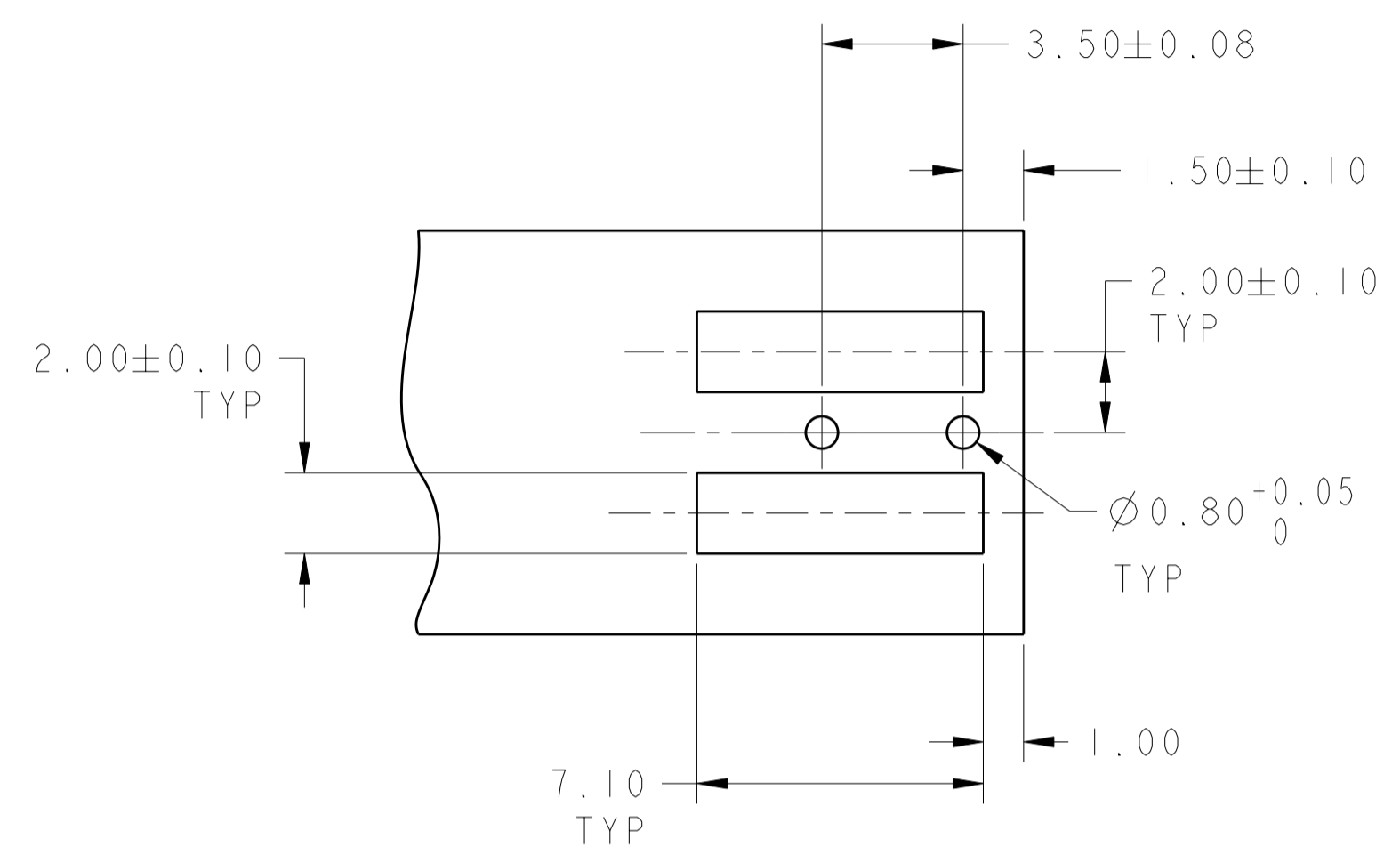
MATED PAIR SHOWN FOR REFERENCE

BLACK	2106212-2
NATURAL	2106212-1
COLOR	PART NO.

THIS DRAWING IS A CONTROLLED DOCUMENT.		DWN R. NARANG 12FEB2009	STE TE Connectivity	
		CHK R. NARANG 12FEB2009		
DIMENSIONS: mm		APVD -	NAME HERMAPHRODITIC BLADE AND RECEPTACLE CONNECTOR ASSEMBLY, WITH BOSS	
TOLERANCES UNLESS OTHERWISE SPECIFIED: 0 PLC ± 1 PLC ± 2 PLC ±0.13 3 PLC ±0.013 4 PLC ± ANGLES ±° FINISH		PRODUCT SPEC 108-2342	RESTRICTED TO	
MATERIAL		APPLICATION SPEC 114-13225	SIZE A2	CAGE CODE 00779
CUSTOMER DRAWING		WEIGHT -	DRAWING NO. 2106212	REV A2
		SCALE 2:1	SHEET 1	OF 2

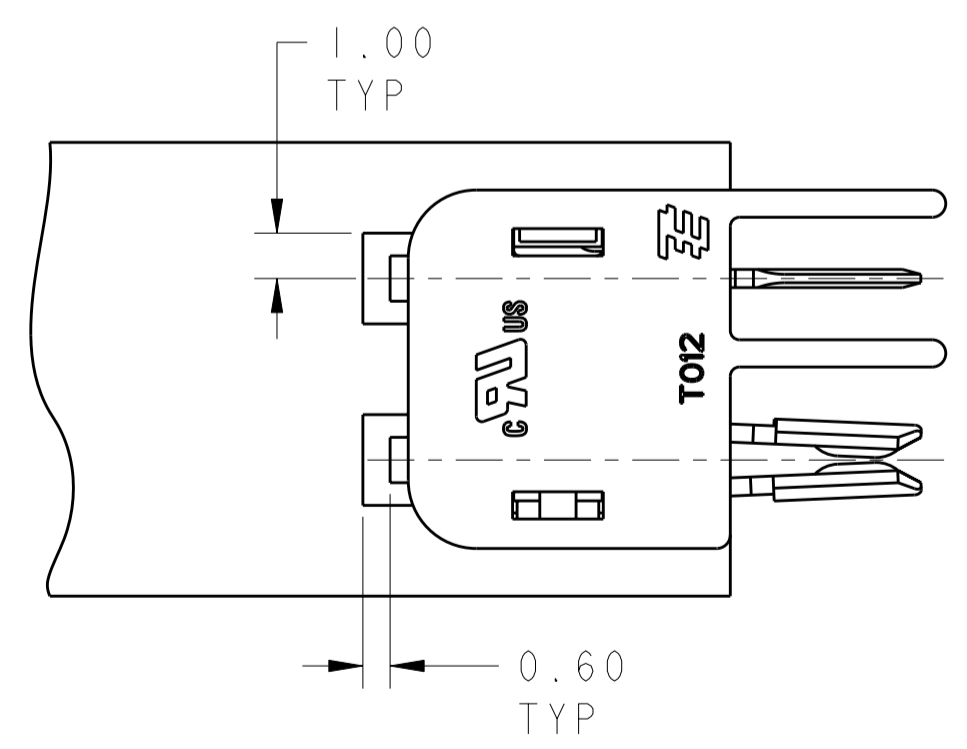
THIS DRAWING IS UNPUBLISHED. RELEASED FOR PUBLICATION 20
 © COPYRIGHT 20 ALL RIGHTS RESERVED.

LOC		DIST		REVISIONS			
P	LTR	DESCRIPTION	DATE	DWN	APVD		
-	-	SEE SHEET 1	-	-	-		

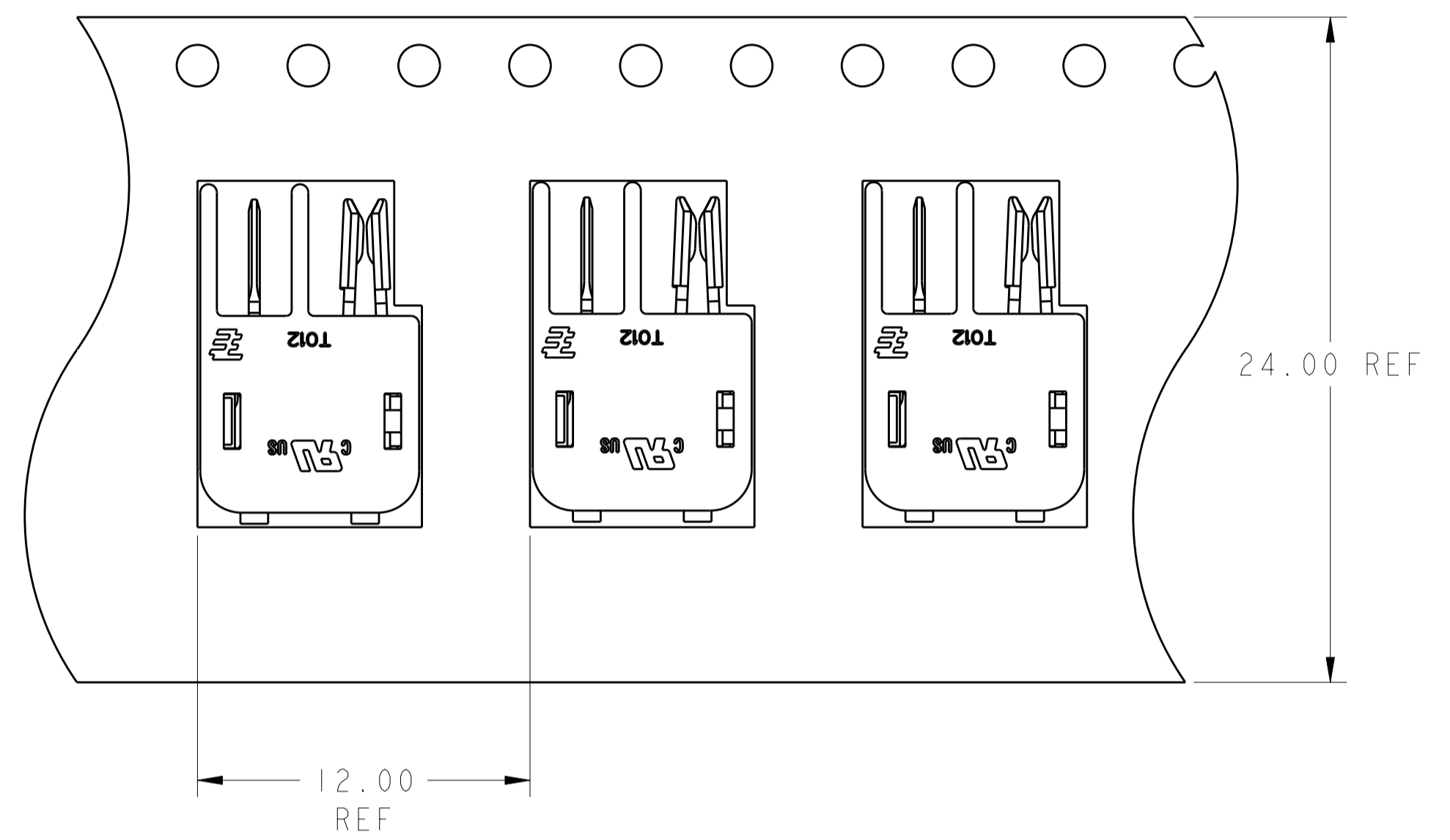


SCALE 6:1

RECOMMENDED PCB LAYOUT



SCALE 6:1



SCALE 5:1

PACKAGING OF 2106212-1

THIS DRAWING IS A CONTROLLED DOCUMENT.		DWN R. NARANG 12FEB2009	TE Connectivity	
		CHK R. NARANG 12FEB2009		
DIMENSIONS: mm		TOLERANCES UNLESS OTHERWISE SPECIFIED:		NAME HERMAPHRODITIC BLADE AND RECEPTACLE CONNECTOR ASSEMBLY, WITH BOSS
		0 PLC ±-	PRODUCT SPEC	SIZE
		1 PLC ±-	108-2342	CAGE CODE
MATERIAL		2 PLC ±0.13	APPLICATION SPEC	DRAWING NO
		3 PLC ±0.013	114-13225	RESTRICTED TO
		4 PLC ±-	WEIGHT	A200779
		ANGLES ±°	CUSTOMER DRAWING	©-2106212
		FINISH	SCALE 2:1	SHEET 2 OF 2
				REV A2

X-ON Electronics

Largest Supplier of Electrical and Electronic Components

Click to view similar products for [Lighting Connectors](#) category:

Click to view products by [TE Connectivity](#) manufacturer:

Other Similar products are found below :

[293300-7](#) [293660-5](#) [CNX_H03_NTP](#) [30-9767-BU](#) [3605](#) [3-21030-1](#) [ZCH-110-RGB-I](#) [503471-0290](#) [ZCH-110-RGB-J](#) [217-0716-200](#)
[1954563-1](#) [1-293657-2](#) [2834036-1](#) [2834037-1](#) [1-2213222-4](#) [2-2213222-4](#) [2213222-4](#) [2834122-3](#) [2834122-5](#) [2834135-2](#) [FLA-R4142-30](#)
[FLA-R4162-30](#) [FLA-R2142-30](#) [FLA-R2141-30](#) [FLA-R2162-30](#) [FLA-R2161-30](#) [FLA-R0161-30](#) [FLA-R0141-30](#) [FLA-R0142-30](#) [FLA-](#)
[R0162-30](#) [FLA-C00-00](#) [DGA00010553](#) [CNXV04NTP](#) [104128-0610](#) [503485-0000 \(Cut Strip\)](#) [503485-0000 \(Loose Piece\)](#) [503485-0000](#)
[\(MINI Reel\)](#) [1-2834074-2](#) [1-2834074-3](#) [1357-AC PLUG W2C \(CHINA\)](#) [1357-AC PLUG W2 \(USA\)](#) [104266-0110](#) [CNXV02NTP](#) [2106212-1](#)
[2-2834074-2](#) [104266-0210](#) [293470-1](#) [293651-2](#) [293651-4](#) [1-2834006-2](#)