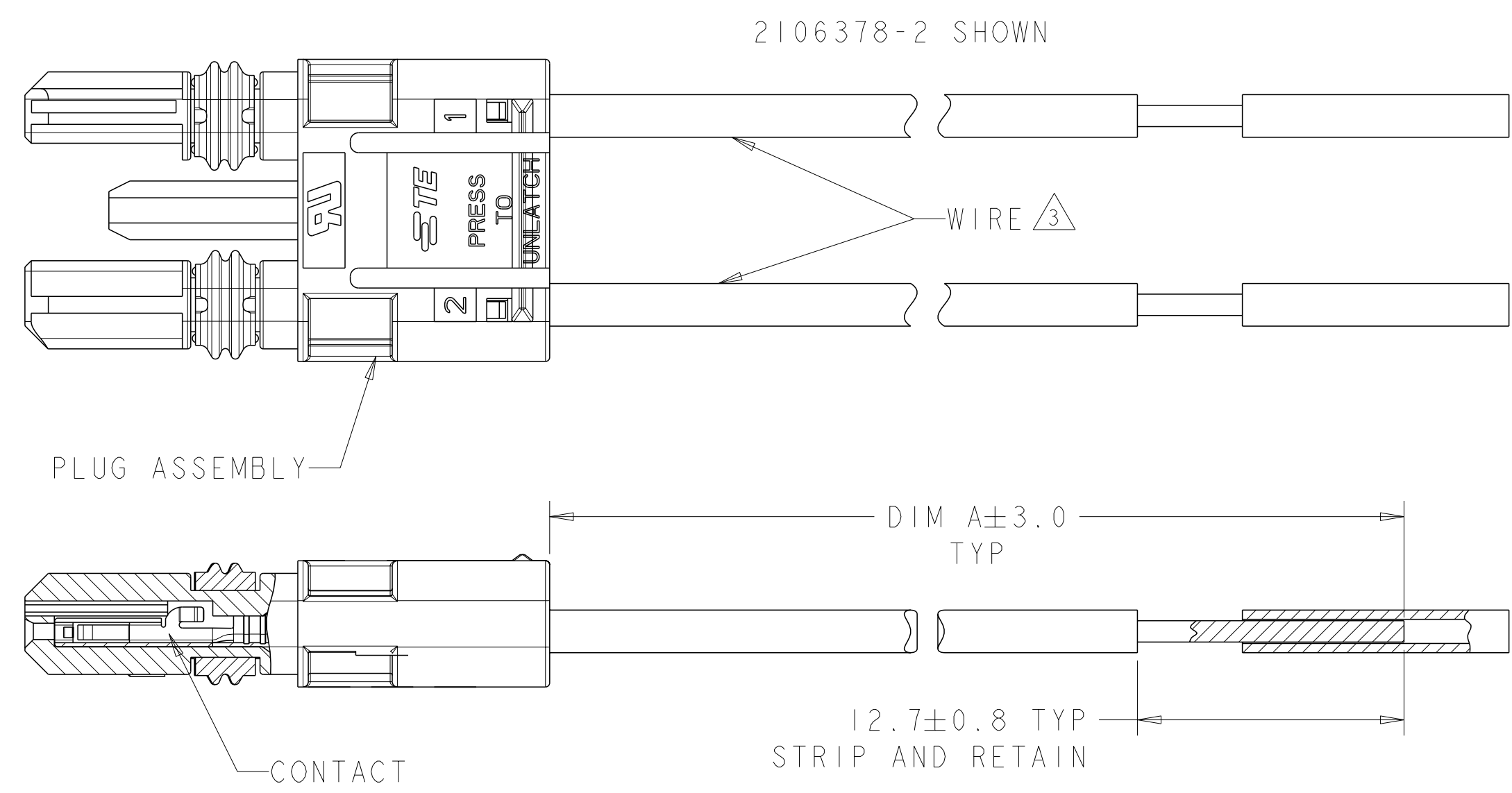
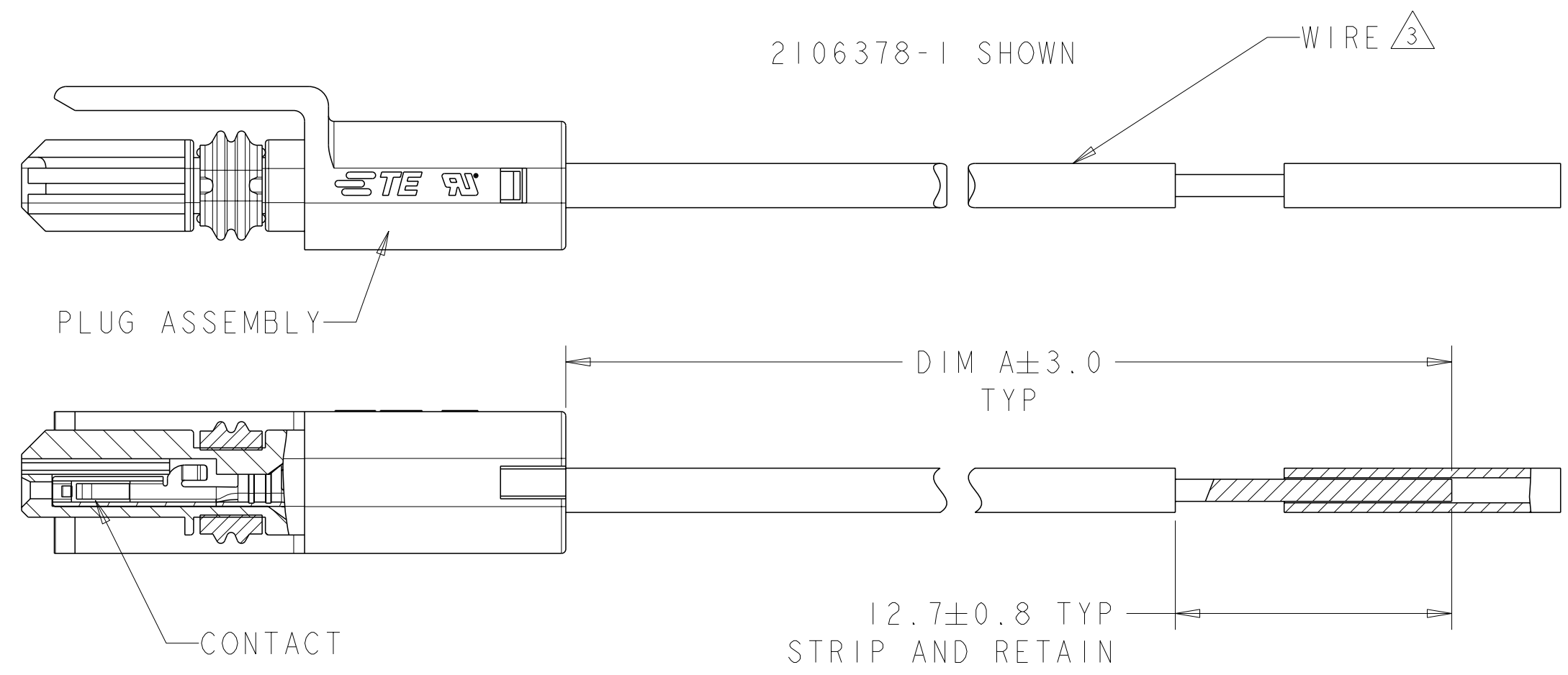


THIS DRAWING IS UNPUBLISHED. RELEASED FOR PUBLICATION 20
 © COPYRIGHT 20 BY - ALL RIGHTS RESERVED.

LOC		DIST		REVISIONS			
P	LTR	DESCRIPTION	DATE	DWN	APVD		
	H	ECR-14-017704	13NOV2013	TB	DM		
	J	ECR-14-004110	18MAR2014	JX	DM		



WIRE COLOR CHART

4	-	-	-	BLUE	-	-	BLUE	-	-	BLUE	-	-	BLUE	-	-	BLUE	-	-	BLUE	-	-	BLUE	-	-	BLUE	-
3	-	-	WHITE	WHITE	-	WHITE	WHITE	-	WHITE	WHITE	-	WHITE	WHITE	-	WHITE	WHITE	-	WHITE	WHITE	-	WHITE	WHITE	-	WHITE	WHITE	-
2	-	RED	RED	RED	RED	RED	RED	RED	RED	RED	RED	RED	RED	RED	RED	RED	RED	RED	RED	RED	RED	RED	RED	RED	RED	BLACK
1	BLACK	BLACK	BLACK	BLACK	BLACK	BLACK	BLACK	BLACK	BLACK	BLACK	BLACK	BLACK	BLACK	BLACK	BLACK	BLACK	BLACK	BLACK	BLACK	BLACK	BLACK	BLACK	BLACK	BLACK	BLACK	RED
POS	-1	-2	-3	-4	-5	-6	-7	-8	-9	-10	-11	-12	-13	-14	-15	-16	-17	-18	-19	-20	-21	-22	-23	-24	-25	-26

4	-	-	-	-	-	-	BLUE	-	-	-																
3	-	-	-	-	-	-	WHITE	-	-	BLACK																
2	-	RED	-	-	RED	-	RED	RED	RED	BLUE																
1	-	BLACK	-	-	BLACK	-	BLACK	BLACK	BLACK	RED																
POS	-27	-28	-29	-30	-31	-32	-33	-34	-35	-36																

- ⚠ MATERIALS AND FINISH:
 -CONTACTS: COPPER ALLOY
 FINISH: TIN IN CONTACT AREA OVER NICKEL UNDERPLATE
 -WIRE: 18 AWG, STRANDED, UL 1007 STYLE
- 2. MUST COMPLY WITH DIRECTIVE 2002/95/EC (ROHS)
- ⚠ REFERENCE CHART FOR SPECIFIC WIRE COLOR/POSITION.
- ⚠ CONTACTS 0.000381 THK GOLD STRIPE PRE-PLATED STOCK, REF.

45.0	20AWG	4	3-2106378-6
2000.0	20 AWG	2	3-2106378-5
5000.0	18 AWG	2	3-2106378-4
⚠ 304.8	20 AWG	4	3-2106378-3
⚠ 304.8	20 AWG	2	3-2106378-1
⚠ 101.6	20 AWG	2	2-2106378-8
381.0	18 AWG	2	2-2106378-6
304.8	24 AWG	4	2-2106378-5
304.8	24 AWG	3	2-2106378-4
304.8	24 AWG	2	2-2106378-3
101.6	24 AWG	4	2-2106378-2
101.6	24 AWG	3	2-2106378-1
101.6	24 AWG	2	2-2106378-0
304.8	22 AWG	4	1-2106378-9
304.8	22 AWG	3	1-2106378-8
304.8	22 AWG	2	1-2106378-7
101.6	22 AWG	4	1-2106378-6
101.6	22 AWG	3	1-2106378-5
101.6	22 AWG	2	1-2106378-4
304.8	20 AWG	4	1-2106378-3
304.8	20 AWG	3	1-2106378-2
304.8	20 AWG	2	1-2106378-1
101.6	20 AWG	4	1-2106378-0
101.6	20 AWG	3	2106378-9
101.6	20 AWG	2	2106378-8
304.8	18 AWG	4	2106378-7
304.8	18 AWG	3	2106378-6
304.8	18 AWG	2	2106378-5
101.6	18 AWG	4	2106378-4
101.6	18 AWG	3	2106378-3
101.6	18 AWG	2	2106378-2
101.6	18 AWG	1	2106378-1
DIM A	WIRE SIZE	POSN	PART NO.

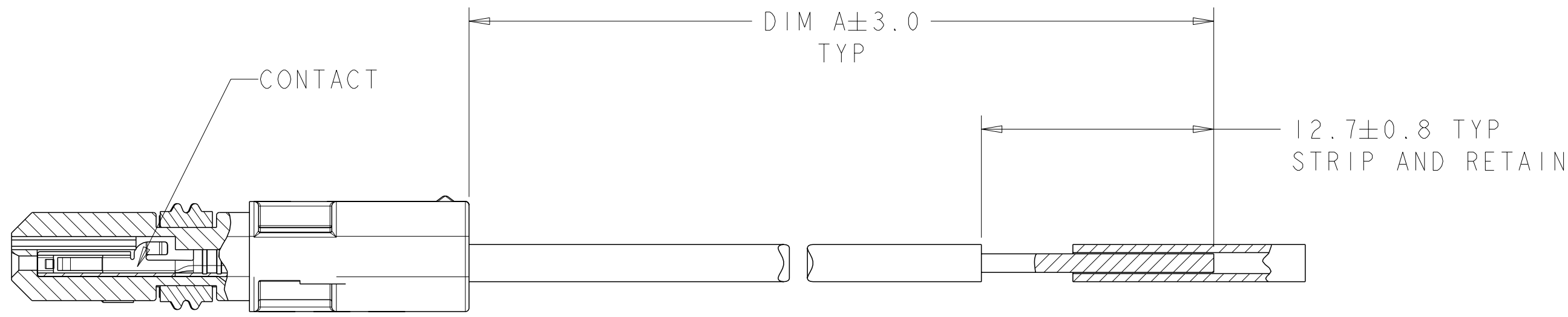
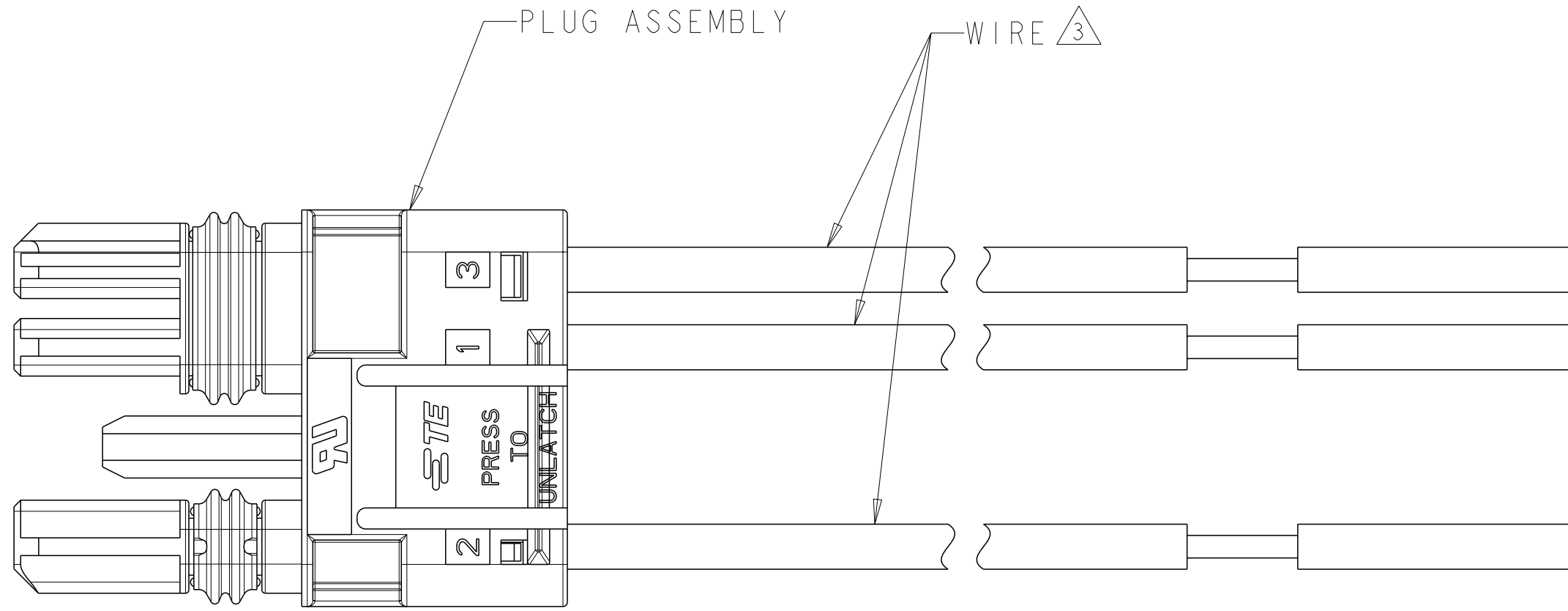
THIS DRAWING IS A CONTROLLED DOCUMENT.

DIMENSIONS: mm	TOLERANCES UNLESS OTHERWISE SPECIFIED: 0 PLC ± 1 PLC ±0.2 2 PLC ± 3 PLC ± 4 PLC ± ANGLES ± FINISH	DWN R BROWN 16APR2009 CHK M MOSTOLLER 16APR2009 APVD M MOSTOLLER 16APR2009	NAME CABLE ASSEMBLY, PLUG, SLIMSEAL SSL CONNECTOR
MATERIAL		PRODUCT SPEC	RESTRICTED TO
		APPLICATION SPEC	SIZE CAGE CODE DRAWING NO
		WEIGHT	A200779 C-2106378
		CUSTOMER DRAWING	SCALE SHEET OF 4 REV J


STE TE Connectivity

THIS DRAWING IS UNPUBLISHED. RELEASED FOR PUBLICATION 20
 © COPYRIGHT 20 BY - ALL RIGHTS RESERVED.

LOC	DIST	REVISIONS					
		P	LTR	DESCRIPTION	DATE	DWN	APVD
-	-	-	-	SEE SHEET 1	-	-	-

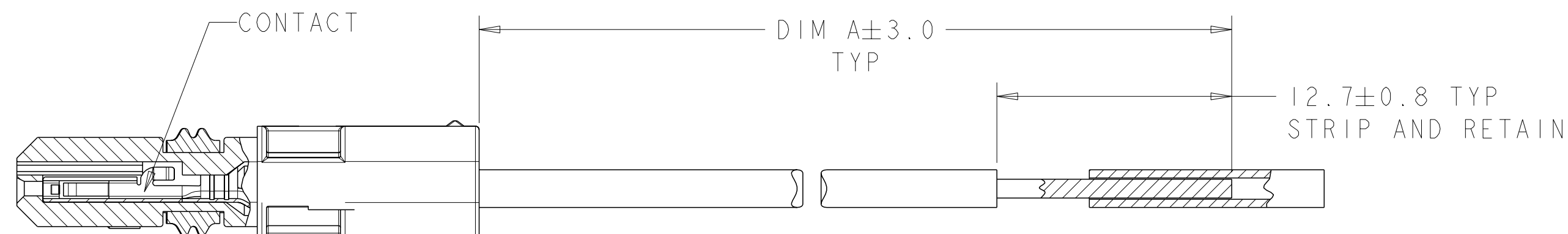
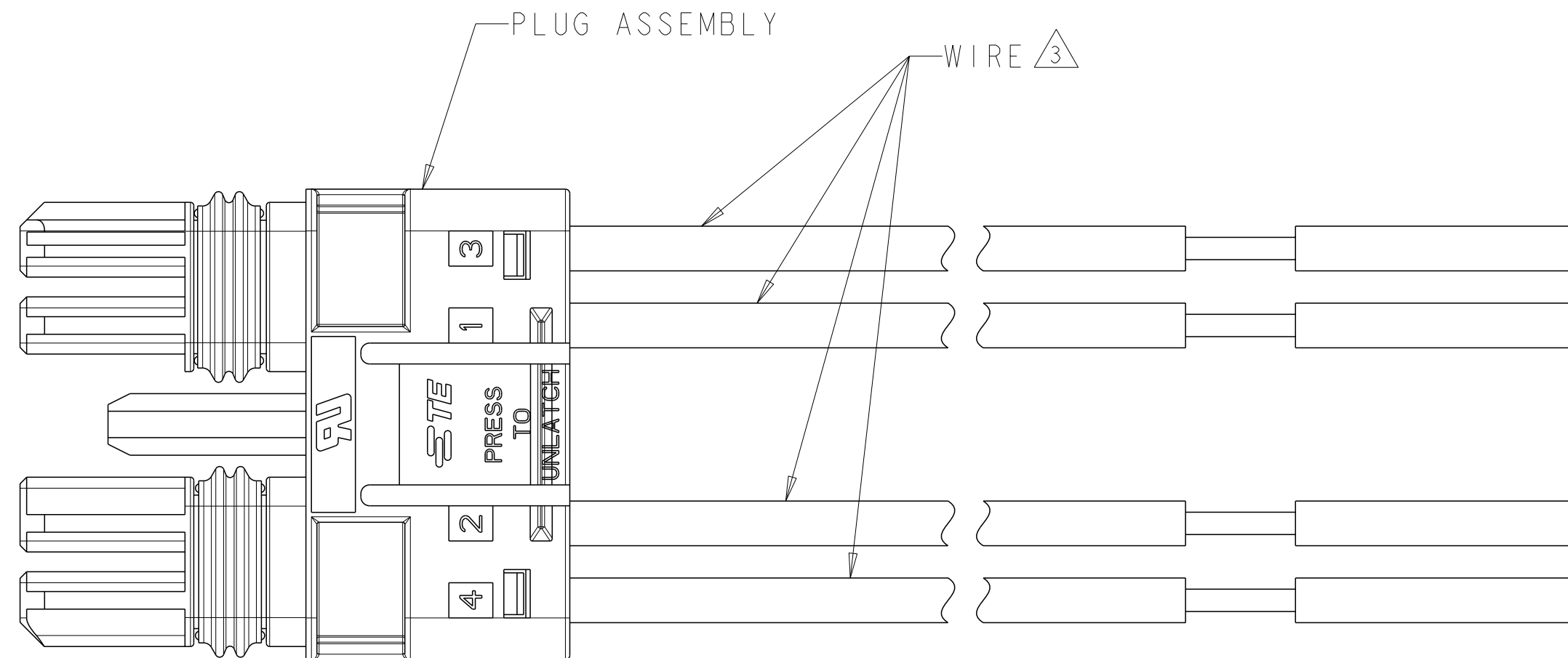


2106378-3 SHOWN


THIS DRAWING IS A CONTROLLED DOCUMENT.		DWN R BROWN 16APR2009	 TE Connectivity	
DIMENSIONS: mm		CHK M MOSTOLLER 16APR2009		
TOLERANCES UNLESS OTHERWISE SPECIFIED:		APVD M MOSTOLLER 16APR2009	NAME CABLE ASSEMBLY, PLUG, SLIMSEAL SSL CONNECTOR	
0 PLC ±- 1 PLC ±0.2 2 PLC ±- 3 PLC ±- 4 PLC ±- ANGLES ±- FINISH ±-		PRODUCT SPEC -	RESTRICTED TO -	
MATERIAL -		APPLICATION SPEC -	WEIGHT -	SCALE 1:1
		CUSTOMER DRAWING	SIZE A200779	CAGE CODE C-2106378
			DRAWING NO -	SHEET 2 OF 4
				REV J

THIS DRAWING IS UNPUBLISHED. RELEASED FOR PUBLICATION 20
 © COPYRIGHT 20 BY - ALL RIGHTS RESERVED.

LOC	DIST	REVISIONS					
GP	00	P	LTR	DESCRIPTION	DATE	DWN	APVD
		-		SEE SHEET 1	-	-	-

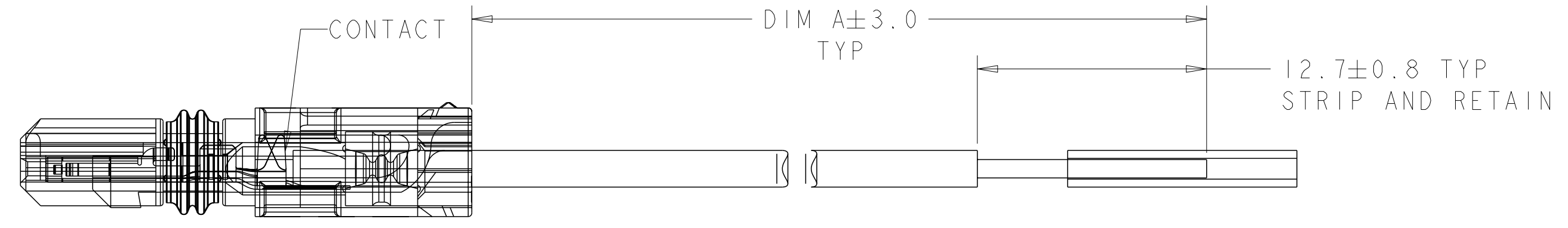
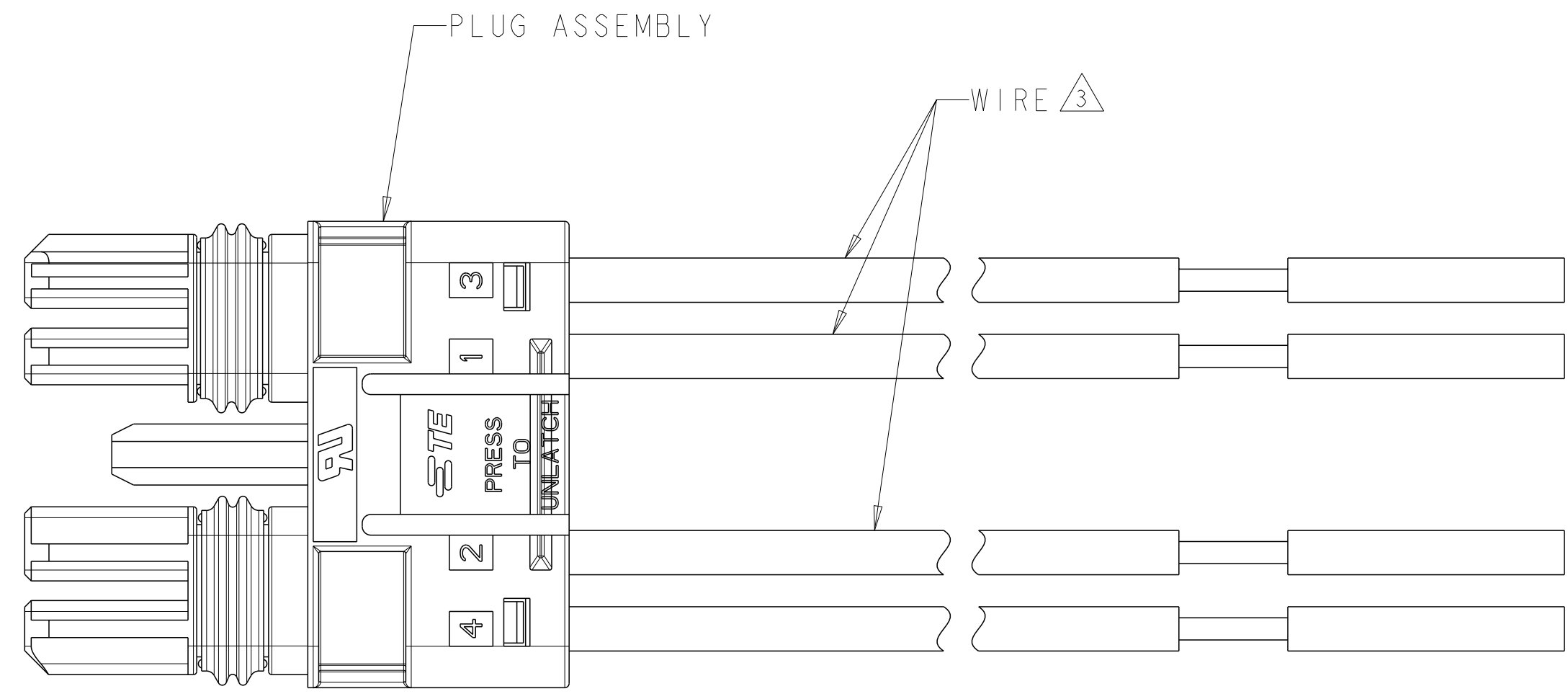


2106378-4 SHOWN

THIS DRAWING IS A CONTROLLED DOCUMENT.		DWN R BROWN 16APR2009	 TE Connectivity	
DIMENSIONS: mm		CHK M MOSTOLLER 16APR2009		
TOLERANCES UNLESS OTHERWISE SPECIFIED:		APVD M MOSTOLLER 16APR2009	NAME CABLE ASSEMBLY, PLUG, SLIMSEAL SSL CONNECTOR	
0 PLC ±- 1 PLC ±0.2 2 PLC ±- 3 PLC ±- 4 PLC ±- ANGLES ±- FINISH ±-		PRODUCT SPEC -	RESTRICTED TO -	
MATERIAL -		APPLICATION SPEC -	WEIGHT -	SIZE A200779
		CUSTOMER DRAWING	SCALE 1:1	DRAWING NO C-2106378
			SHEET 3	OF 4
			REV J	

THIS DRAWING IS UNPUBLISHED. RELEASED FOR PUBLICATION 20
 © COPYRIGHT 20 BY - ALL RIGHTS RESERVED.

LOC	DIST	REVISIONS					
GP	00	P	LTR	DESCRIPTION	DATE	DWN	APVD
		-		SEE SHEET 1	-	-	-



ALL WIRES ARE 20AWG
 3-2106378-6 SHOWN

THIS DRAWING IS A CONTROLLED DOCUMENT.		DWN R BROWN 16APR2009	TE Connectivity	
DIMENSIONS: mm		CHK M MOSTOLLER 16APR2009		
TOLERANCES UNLESS OTHERWISE SPECIFIED:		APVD M MOSTOLLER 16APR2009	NAME CABLE ASSEMBLY, PLUG, SLIMSEAL SSL CONNECTOR	
0 PLC ± 1 PLC ±0.2 2 PLC ± 3 PLC ± 4 PLC ± ANGLES ± FINISH ±		PRODUCT SPEC -	SIZE A200779	
MATERIAL -		APPLICATION SPEC -	DRAWING NO C-2106378	RESTRICTED TO -
		WEIGHT -	SCALE 1:1	SHEET 4 OF 4
		CUSTOMER DRAWING	REV J	

X-ON Electronics

Largest Supplier of Electrical and Electronic Components

Click to view similar products for [Lighting Cables](#) category:

Click to view products by [TE Connectivity](#) manufacturer:

Other Similar products are found below :

[CL2-EXTEND](#) [96CB-E0605HAA1](#) [ZWF-915-J](#) [68801-4899](#) [68801-2112](#) [68801-2123](#) [68801-4124](#) [68801-4752](#) [68801-4850](#) [ZFS-CH144-12I](#) [96CB-E0405PCA3](#) [96CB-E0405PIC3](#) [96CB-E0605HAB1](#) [SSL11-J2LJ0-022A04](#) [CNXBE4218](#) [1-2058943-7](#) [1-2058943-8](#) [1-2083075-2](#) [1-2083080-1](#) [CNX310-120-X4124](#) [CNX_C_E_4_2_08](#) [CNXBE4118](#) [CNX_310_012_E_4_1_12](#) [2702306](#) [2702307](#) [SSL12-J4FJ0-000001](#) [180888-0405](#) [SSL12-J2LJ0-020F01](#) [180887-0430](#) [1705131](#) [180887-0410](#) [180778-0405](#) [1-2083029-8](#) [SSL12-J4LJ0-020H01](#) [180778-0430](#) [SSL12-P4LP0-M20H01](#) [SSL12-P4LP0-M20F01](#) [SSL12-P2LP0-M20F01](#) [SSL12-J4LJ0-020F01](#) [SSL11-J2LJ0-B22A04](#) [68801-4037](#) [68801-4039](#) [68801-4053](#) [68801-4055](#) [68801-4057](#) [68801-4059](#) [68801-4061](#) [960026](#) [2-2083030-2](#) [4767](#)