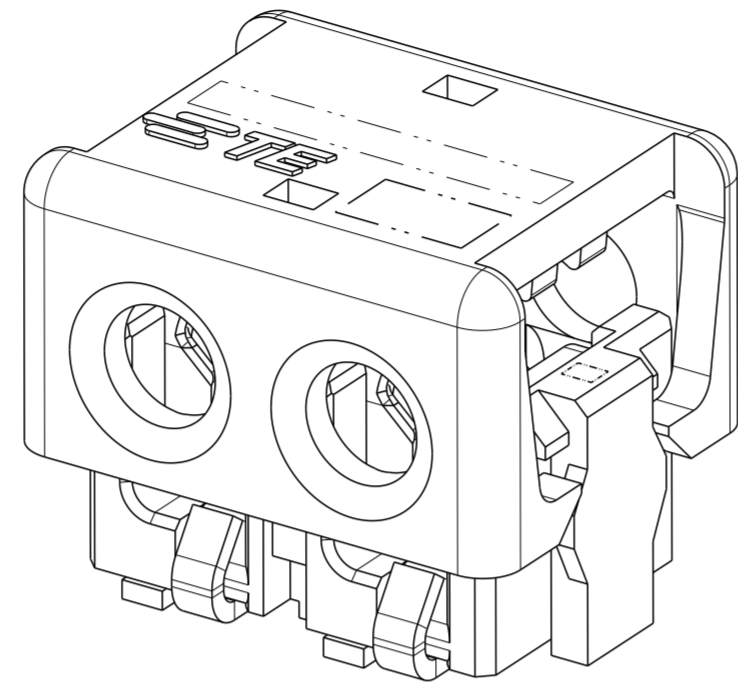
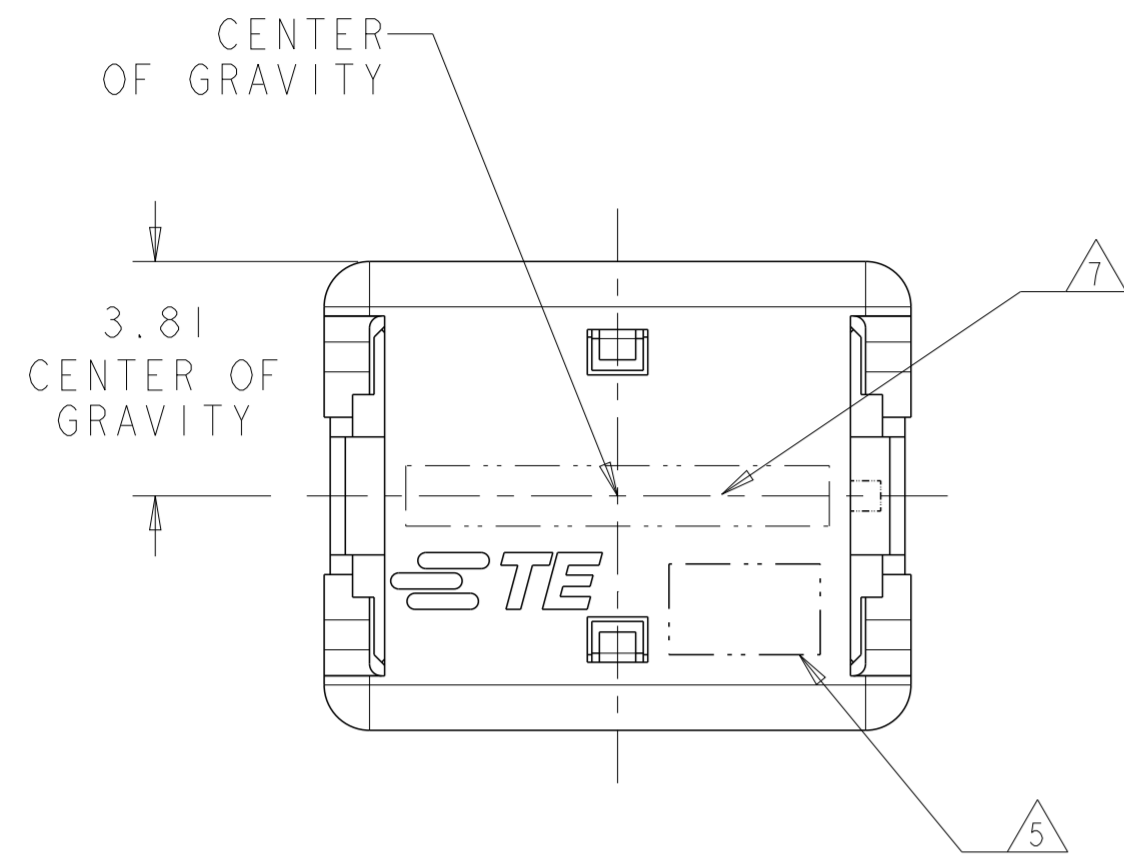


THIS DRAWING IS UNPUBLISHED. RELEASED FOR PUBLICATION 20
 © COPYRIGHT 20 BY - ALL RIGHTS RESERVED.

| LOC | DIST | REVISIONS | | | | | |
|-----|------|-----------|-----|---------------------------|-----------|-----|------|
| CM | 00 | P | LTR | DESCRIPTION | DATE | DWN | APVD |
| | | A1 | | REVISED PER ECR-12-003555 | 19APR2012 | RS | DD |
| | | A2 | | REVISED PER ECR-12-016877 | 20OCT2012 | RS | DD |
| | | B | | REVISED PER ECR-15-004054 | 28JUL2015 | RS | DD |
| | | C | | REVISED PER ECR-15-017995 | 18DEC2015 | RS | DD |



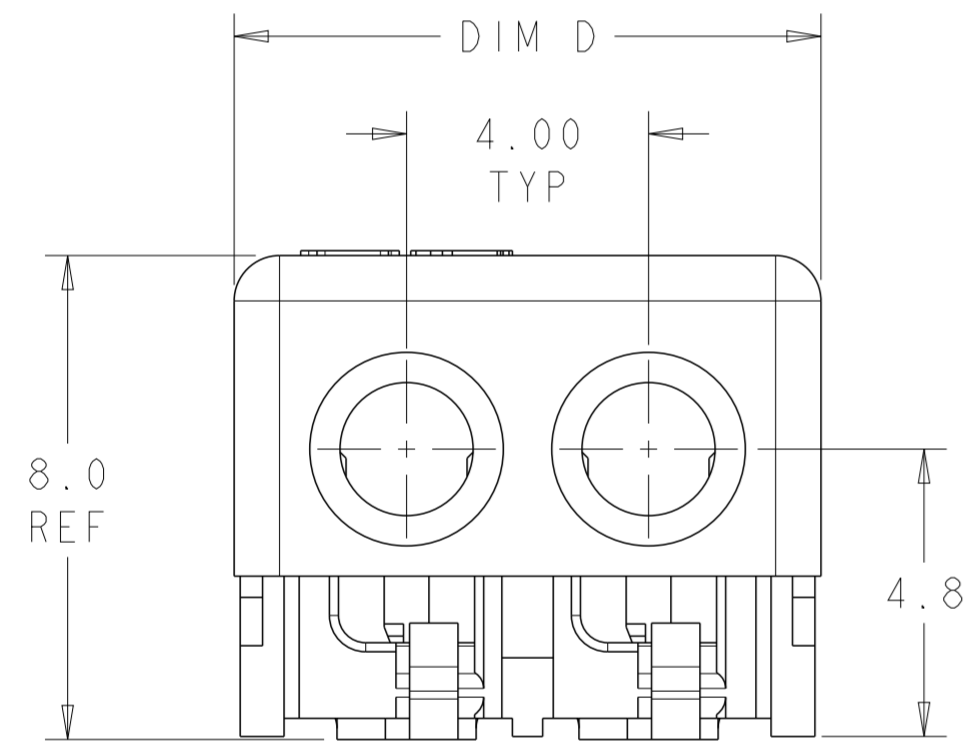
- 1. MATERIALS AND FINISH:
 - HOUSING: LCP, COLOR: NATURAL
 - CONTACTS: COPPER ALLOY, FINISH: Sn OVER Ni

2. COMPLY WITH DIRECTIVE 2002/95/EC (ROHS).

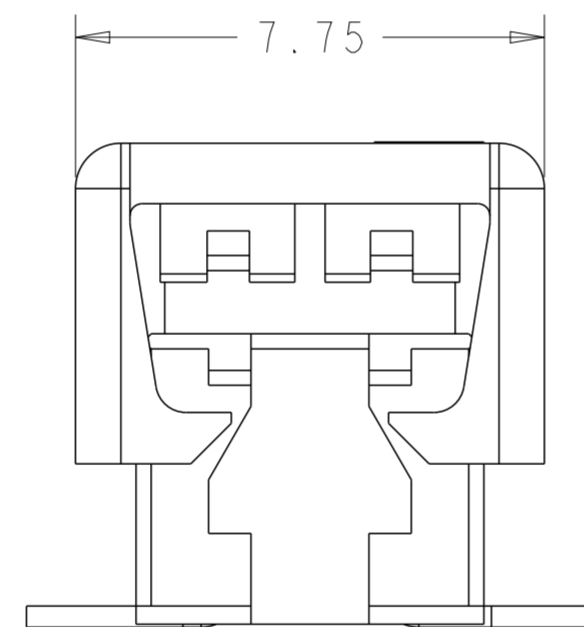
- 3. 18-24AWG SOLID OR STRANDED WIRE. PLEASE REFER TO APPLICATION SPEC 114-13266 FOR RECOMMENDED STRAND COUNT.
 18AWG MAX INSULATION OD: 2.20
 20AWG MAX INSULATION OD: 1.90
 22AWG MAX INSULATION OD: 1.70
 24AWG MAX INSULATION OD: 1.45

4. PACKAGE IN TAPE AND REEL PER EIA-481 SPECIFICATION, EXCEPT 1 POSITION CONNECTOR.

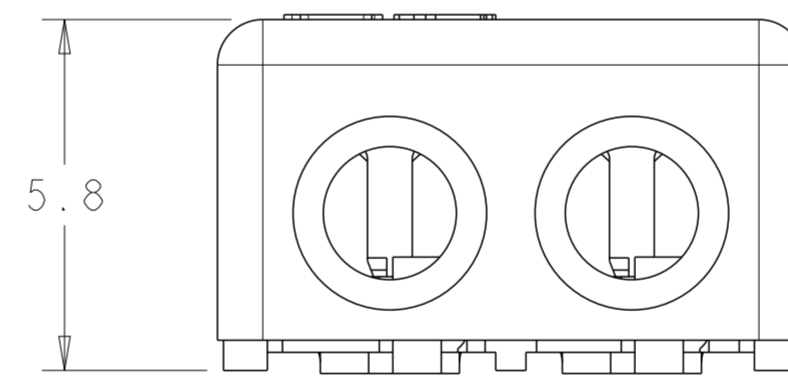
- 5. WIRE SIZE MARKING IN APPROXIMATE LOCATION SHOWN.
- 6. DATUMS AND BASIC DIMENSIONS ESTABLISHED BY CUSTOMER.
- 7. COLOR CODE MARKING, STRAIGHT LINE.
- 8. 1 POSITION ASSEMBLY DOES NOT COMPLY WITH EIA 481 SPECIFICATION.



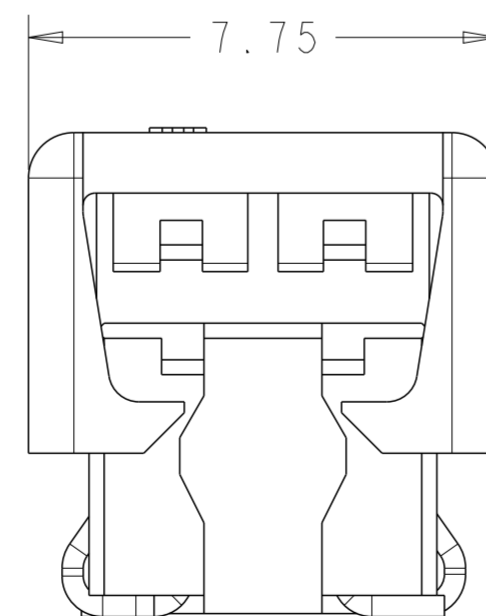
2 POSITION SHOWN AS SHIPPED



FOR 1 POSITION ONLY



2 POSITION SHOWN CLOSED SCALE 8:1



FOR 2, 3 AND 4 POSITIONS

| | | | | |
|------------|-------|-----------|------|---------------|
| RED | 17.70 | 24 AWG | 4 | 3-2106431-4 |
| | 13.70 | 24 AWG | 3 | 3-2106431-3 |
| | 9.70 | 24 AWG | 2 | 3-2106431-2 |
| | 5.70 | 24 AWG | 1 | 8 3-2106431-1 |
| GREEN | 17.70 | 22 AWG | 4 | 2-2106431-4 |
| | 13.70 | 22 AWG | 3 | 2-2106431-3 |
| | 9.70 | 22 AWG | 2 | 2-2106431-2 |
| | 5.70 | 22 AWG | 1 | 8 2-2106431-1 |
| BLUE | 17.70 | 20 AWG | 4 | 1-2106431-4 |
| | 13.70 | 20 AWG | 3 | 1-2106431-3 |
| | 9.70 | 20 AWG | 2 | 1-2106431-2 |
| | 5.70 | 20 AWG | 1 | 8 1-2106431-1 |
| YELLOW | 17.70 | 18 AWG | 4 | 2106431-4 |
| | 13.70 | 18 AWG | 3 | 2106431-3 |
| | 9.70 | 18 AWG | 2 | 2106431-2 |
| | 5.70 | 18 AWG | 1 | 8 2106431-1 |
| COLOR CODE | DIM D | WIRE SIZE | POSN | PART NUMBER |

THIS DRAWING IS A CONTROLLED DOCUMENT. DWN C DAILY 09DEC2008
 CHK J DYER 09DEC2008

STE TE Connectivity

ASSEMBLY, IDC SSL CONNECTOR, SMT, PASS THRU

| | | | | | | |
|----------------|--|----------------------------|------------------|-----------------|----------------------|---------------|
| DIMENSIONS: mm | TOLERANCES UNLESS OTHERWISE SPECIFIED: | PRODUCT SPEC 108-2404 | SIZE A2 | CAGE CODE 00779 | DRAWING NO C-2106431 | RESTRICTED TO |
| 0 PLC ± | 1 PLC ±0.5 | APPLICATION SPEC 114-13266 | WEIGHT | SCALE 8:1 | SHEET 1 OF 3 | REV C |
| 2 PLC ±0.13 | 3 PLC ± | MATERIAL | Customer Drawing | | | |
| 4 PLC ± | ANGLES ± | FINISH | | | | |

THIS DRAWING IS UNPUBLISHED. RELEASED FOR PUBLICATION 20
 © COPYRIGHT 20 BY - ALL RIGHTS RESERVED.

| LOC | | DIST | | REVISIONS | | | | |
|-----|-----|-------------|--|-----------|------|-----|------|--|
| P | LTR | DESCRIPTION | | | DATE | DWN | APVD | |
| - | - | SEE SHEET 1 | | | - | - | - | |
| | | | | | | | | |
| | | | | | | | | |



1 POSITION
RECOMMENDED PAD LAYOUT
SCALE 8:1



3 POSITION
RECOMMENDED PAD LAYOUT
SCALE 8:1



2 POSITION
RECOMMENDED PAD LAYOUT
SCALE 8:1



4 POSITION
RECOMMENDED PAD LAYOUT
SCALE 8:1

| | | | | | |
|--|--|--|-----------|---|--|
| THIS DRAWING IS A CONTROLLED DOCUMENT. | | DWN C DAILY | 09DEC2008 | STE TE Connectivity | |
| | | CHK J DYER | 09DEC2008 | | |
| DIMENSIONS: mm | | TOLERANCES UNLESS OTHERWISE SPECIFIED: | | NAME ASSEMBLY, IDC SSL CONNECTOR, SMT, PASS THRU | |
| <ul style="list-style-type: none"> 0 PLC ± 1 PLC ±0.5 2 PLC ±0.13 3 PLC ± 4 PLC ± ANGLES ± FINISH ± | | APVD - | | PRODUCT SPEC 108-2404 | |
| MATERIAL material_2 | | FINISH finish_spec_2 | | APPLICATION SPEC 114-13266 | |
| | | WEIGHT - | | SIZE A200779 | |
| | | Customer Drawing | | DRAWING NO C-2106431 | |
| | | SCALE 8:1 | | RESTRICTED TO - | |
| | | SHEET 1 OF 3 | | REV C | |

THIS DRAWING IS UNPUBLISHED. RELEASED FOR PUBLICATION 20
 © COPYRIGHT 20 BY - ALL RIGHTS RESERVED.

| LOC | DIST | REVISIONS | | | | |
|-----|------|-------------|------|-----|------|--|
| P | LTR | DESCRIPTION | DATE | DWN | APVD | |
| - | - | SEE SHEET 1 | - | - | - | |
| | | | | | | |
| | | | | | | |



SECTION X-X

2106431-2 SHOWN IN POCKET TAPE

| | | | | |
|--|--|-------------------------------|-----------------|---|
| THIS DRAWING IS A CONTROLLED DOCUMENT. | | DWN C DAILY 09DEC2008 | TE Connectivity | |
| | | CHK J DYER 09DEC2008 | | |
| DIMENSIONS: mm | | APVD - | | NAME ASSEMBLY, IDC SSL CONNECTOR, SMT, PASS THRU |
| TOLERANCES UNLESS OTHERWISE SPECIFIED: | | PRODUCT SPEC 108-2404 | | SIZE A2 |
| 0 PLC ± | | APPLICATION SPEC 114-13266 | | CAGE CODE C-2106431 |
| 1 PLC ±0.5 | | WEIGHT - | | DRAWING NO - |
| 2 PLC ±0.13 | | MATERIAL material_2 | | RESTRICTED TO - |
| 3 PLC ± | | FINISH finish_spec_2 | | SCALE 8:1 |
| 4 PLC ± | | Customer Drawing | | SHEET 1 OF 3 |
| ANGLES ± | | | | REV C |
| FINISH ± | | | | |

X-ON Electronics

Largest Supplier of Electrical and Electronic Components

Click to view similar products for [Lighting Connectors](#) category:

Click to view products by [TE Connectivity](#) manufacturer:

Other Similar products are found below :

[293300-7](#) [293660-5](#) [CNX_H03_NTP](#) [30-9767-BU](#) [3605](#) [3-21030-1](#) [ZCH-110-RGB-I](#) [503471-0290](#) [ZCH-110-RGB-J](#) [217-0716-200](#)
[1954563-1](#) [1-293657-2](#) [2834036-1](#) [2834037-1](#) [1-2213222-4](#) [2-2213222-4](#) [2213222-4](#) [2834122-3](#) [2834122-5](#) [2834135-2](#) [FLA-R4142-30](#)
[FLA-R4162-30](#) [FLA-R2142-30](#) [FLA-R2141-30](#) [FLA-R2162-30](#) [FLA-R2161-30](#) [FLA-R0161-30](#) [FLA-R0141-30](#) [FLA-R0162-30](#) [FLA-C00-](#)
[00](#) [DGA00010553](#) [CNXV04NTP](#) [104128-0610](#) [503485-0000 \(Cut Strip\)](#) [503485-0000 \(Loose Piece\)](#) [503485-0000 \(MINI Reel\)](#) [1-2834074-2](#)
[1-2834074-3](#) [1357-AC PLUG W2C \(CHINA\)](#) [1357-AC PLUG W2 \(USA\)](#) [104266-0110](#) [2106212-1](#) [2-2834074-2](#) [104266-0210](#) [293470-1](#)
[293651-2](#) [293651-4](#) [1-2834006-2](#) [293651-1](#) [2213142-3](#)