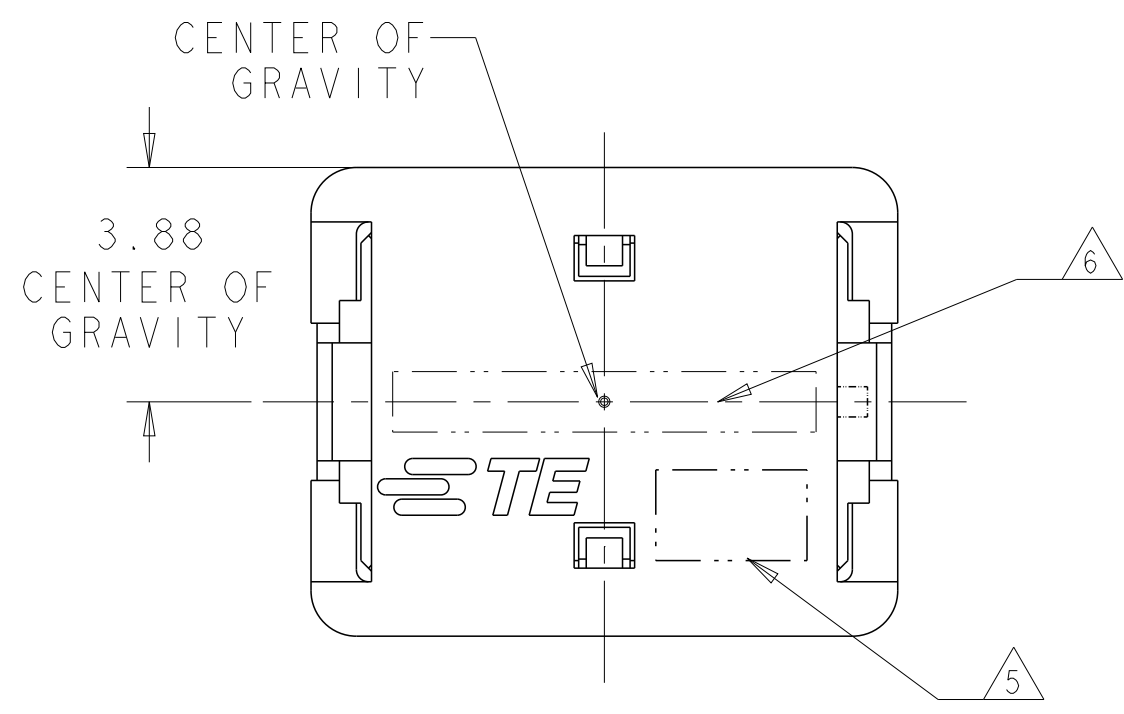
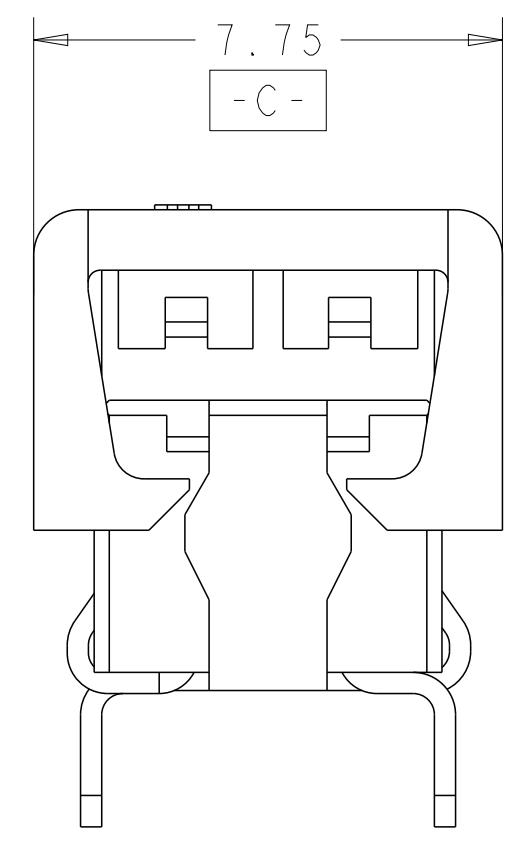


THIS DRAWING IS UNPUBLISHED. RELEASED FOR PUBLICATION 20
 © COPYRIGHT 20 BY - ALL RIGHTS RESERVED.

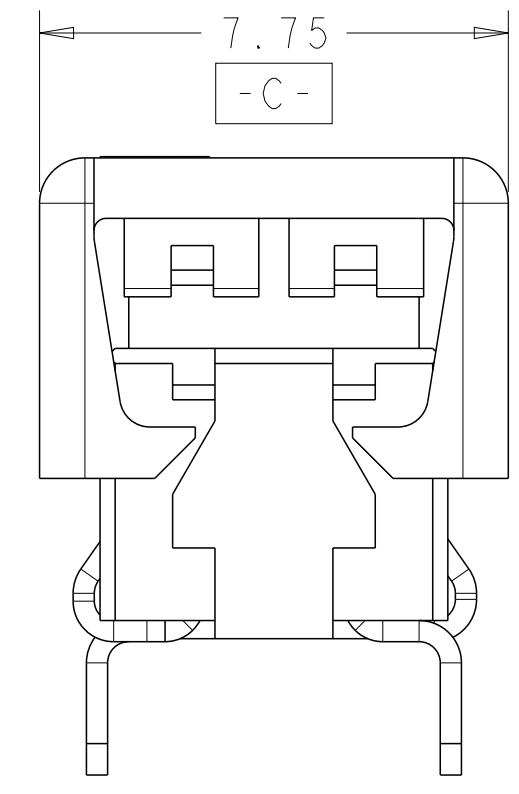
LOC		DIST		REVISIONS			
P	LTR	DESCRIPTION		DATE	DWN	APVD	
		A1		REVISED PER ECR-12-003555	19APR2012	RS	DD
		A2		REVISED PER ECR-12-016877	20OCT2012	RS	DD
		B		REVISED PER ECR-15-004054	28JUL2015	RS	DD
		C		REVISED PER ECR-15-017995	18DEC2015	RS	DD



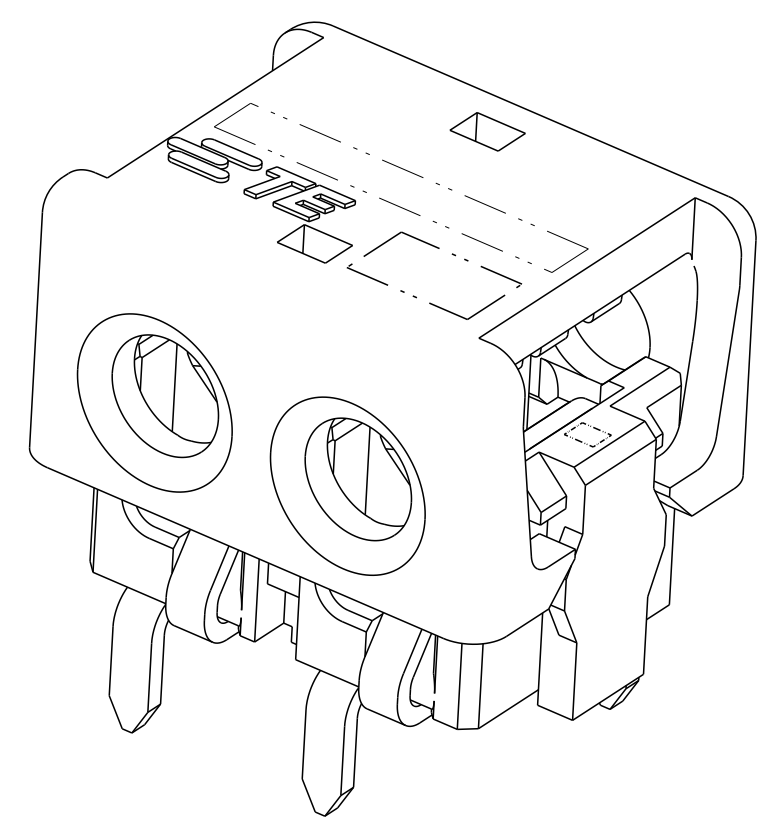
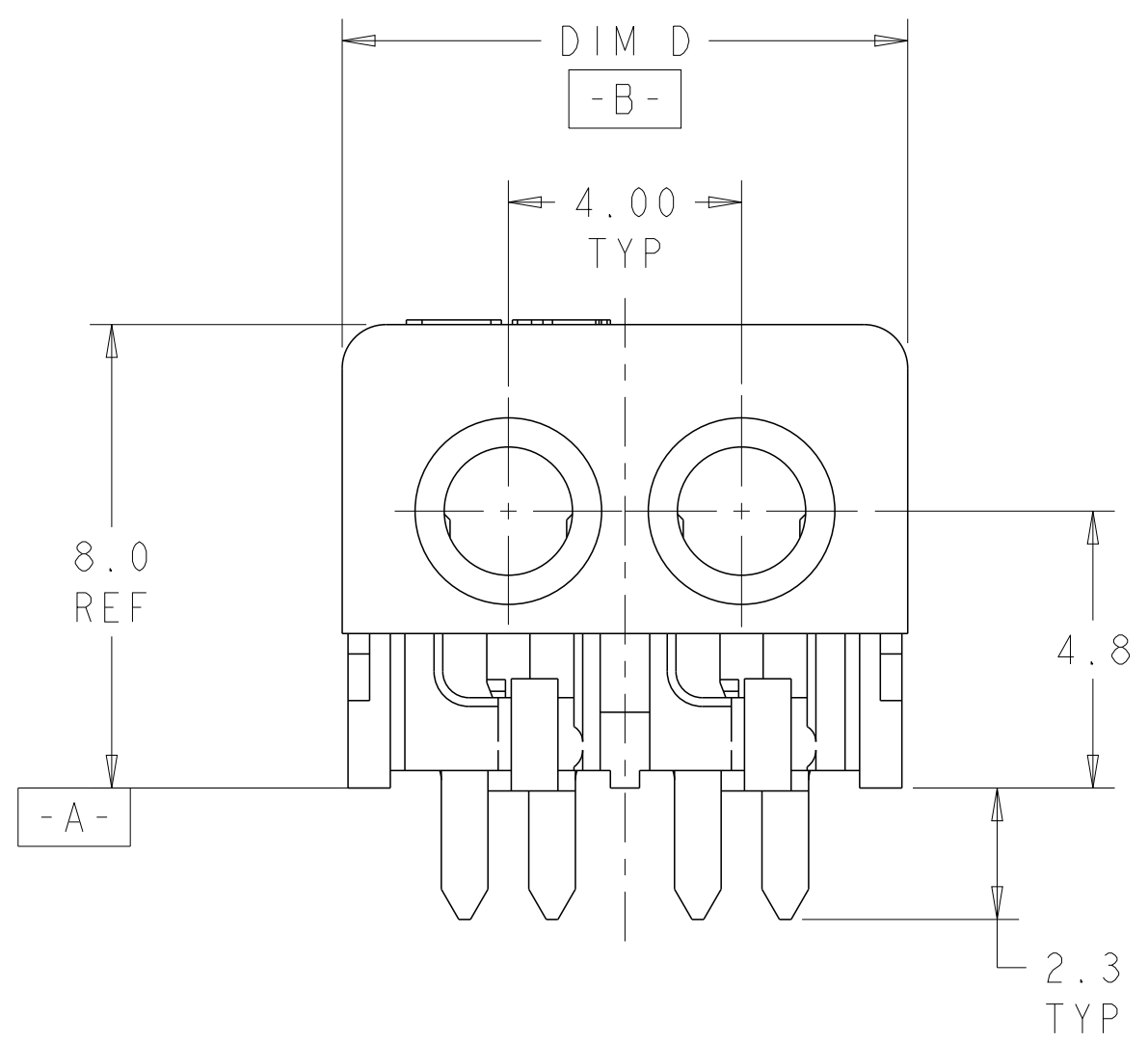
2 POSITION SHOWN AS SHIPPED



FOR 2, 3 AND 4 POSITIONS



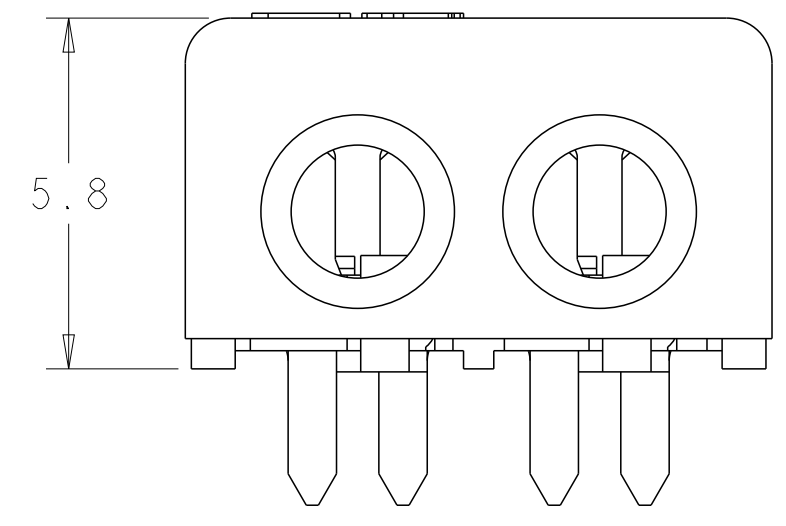
FOR 1 POSITION ONLY



- 1. MATERIALS AND FINISH:
 - HOUSING: LCP, COLOR: NATURAL
 - CONTACTS: COPPER ALLOY, FINISH: Sn OVER Ni

- 2. COMPLY WITH DIRECTIVE 2002/95/EC (ROHS)
- 3. 18-24AWG SOLID OR STRANDED WIRE. PLEASE REFER TO APPLICATION SPEC 114-13266 FOR RECOMMENDED STRAND COUNT.
 - 18 AWG MAX INSULATION OD 2.20
 - 20 AWG MAX INSULATION OD 1.90
 - 22 AWG MAX INSULATION OD 1.70
 - 24 AWG MAX INSULATION OD 1.45
- 4. PACKAGE IN TAPE AND REEL PER EIA-481 SPECIFICATION

- 5. WIRE SIZE MARKING IN APPROXIMATE LOCATION SHOWN.
- 6. COLOR CODE MARKING, STRAIGHT LINE.
- 7. ONE POSITION ASSEMBLY DOES NOT COMPLY WITH EIA 481 SPECIFICATION.



2 POSITION SHOWN CLOSED SCALE 8:1

COLOR CODE	DIM D	WIRE SIZE	POSN	PART NUMBER
RED	17.70	24 AWG	4	3-2106751-4
	13.70	24 AWG	3	3-2106751-3
	9.70	24 AWG	2	3-2106751-2
	5.70	24 AWG	1	3-2106751-1
GREEN	17.70	22 AWG	4	2-2106751-4
	13.70	22 AWG	3	2-2106751-3
	9.70	22 AWG	2	2-2106751-2
	5.70	22 AWG	1	2-2106751-1
BLUE	17.70	20 AWG	4	1-2106751-4
	13.70	20 AWG	3	1-2106751-3
	9.70	20 AWG	2	1-2106751-2
	5.70	20 AWG	1	1-2106751-1
YELLOW	17.70	18 AWG	4	2106751-4
	13.70	18 AWG	3	2106751-3
	9.70	18 AWG	2	2106751-2
	5.70	18 AWG	1	2106751-1

THIS DRAWING IS A CONTROLLED DOCUMENT. DWN: WM VAN SCYOC 26AUG2009, CHK: O. OSAGIE 26AUG2009, APVD: -

STE TE Connectivity

ASSEMBLY, IDC SSL CONNECTOR, THROUGH HOLE, PASS THRU

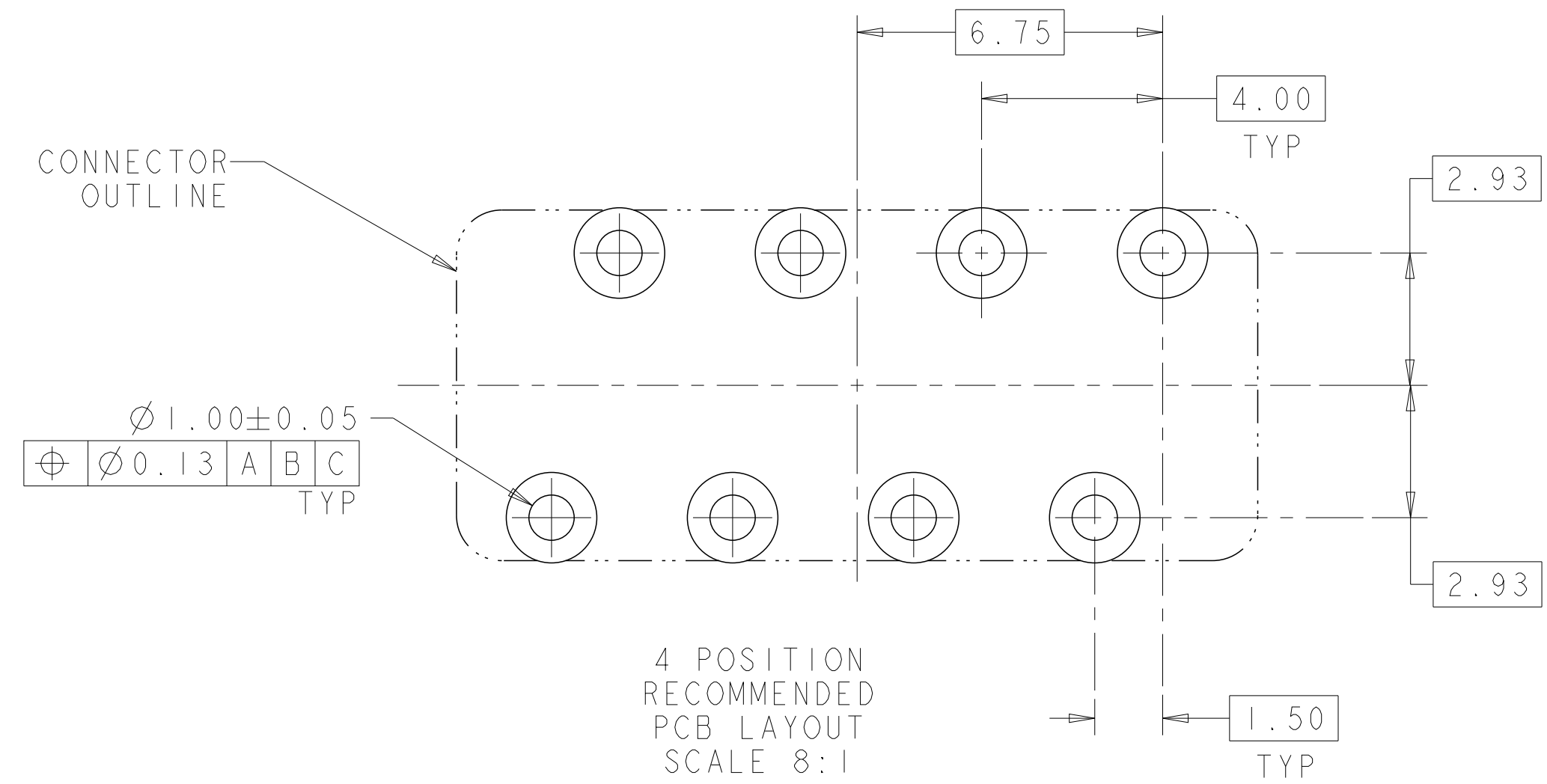
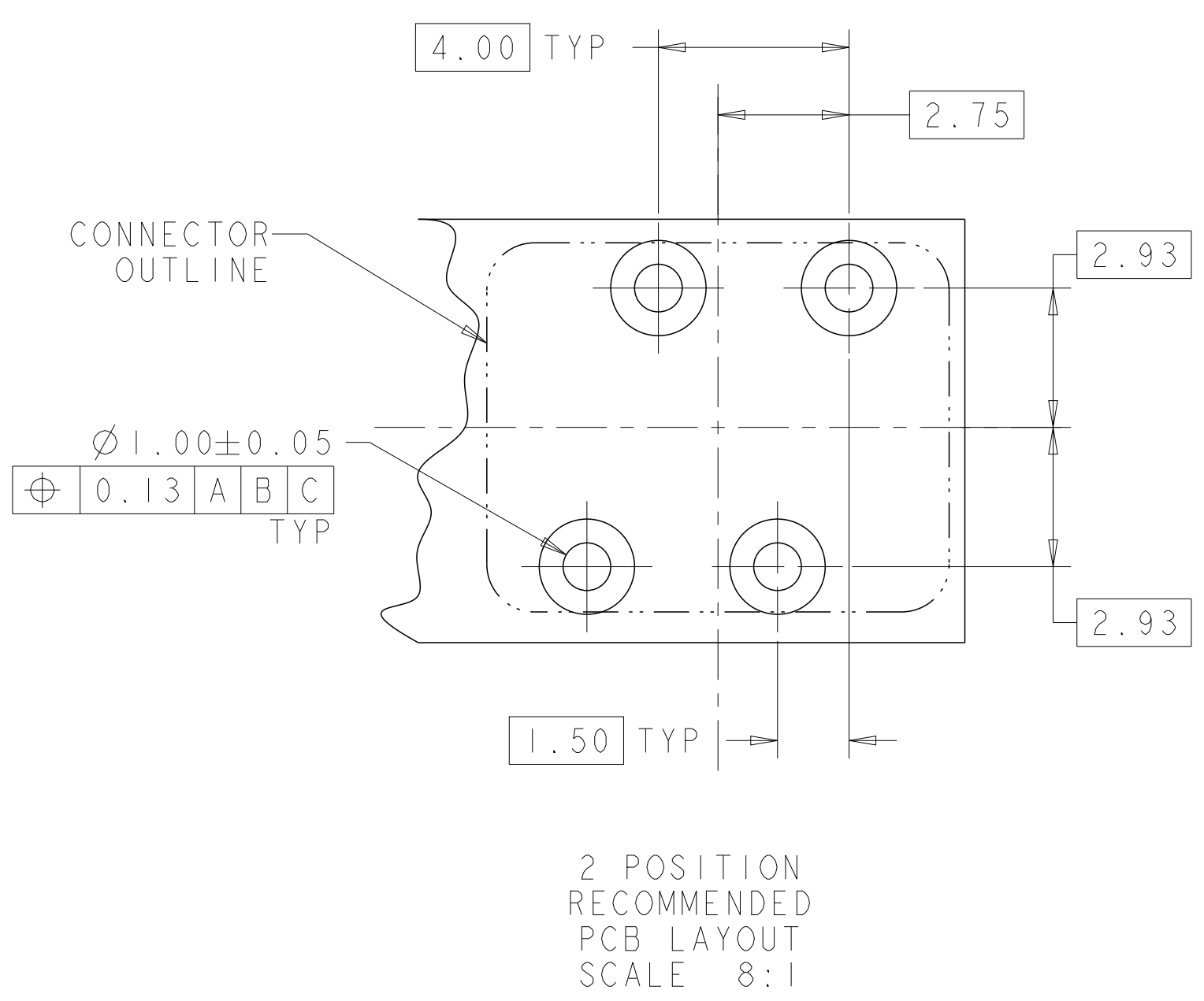
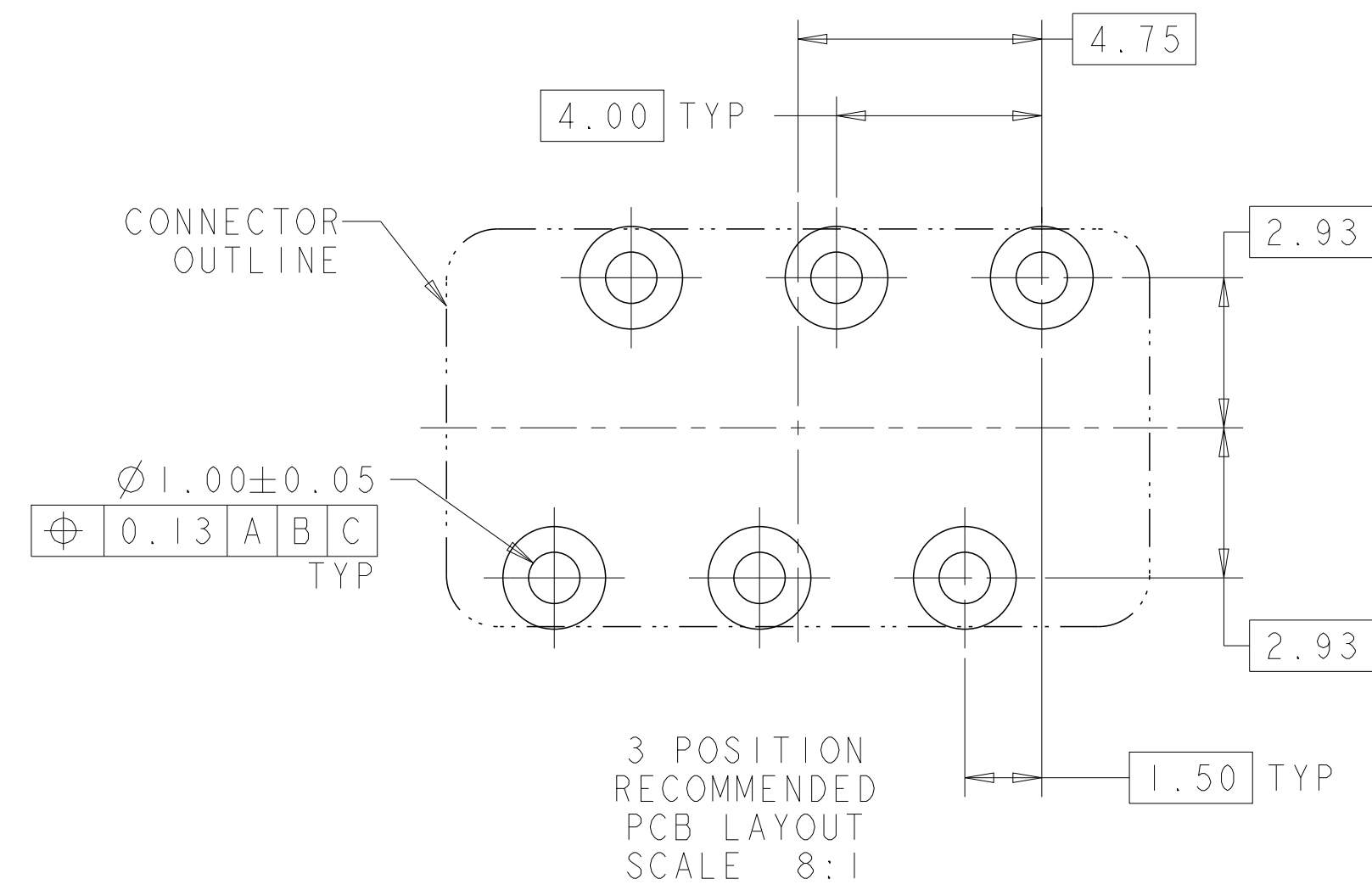
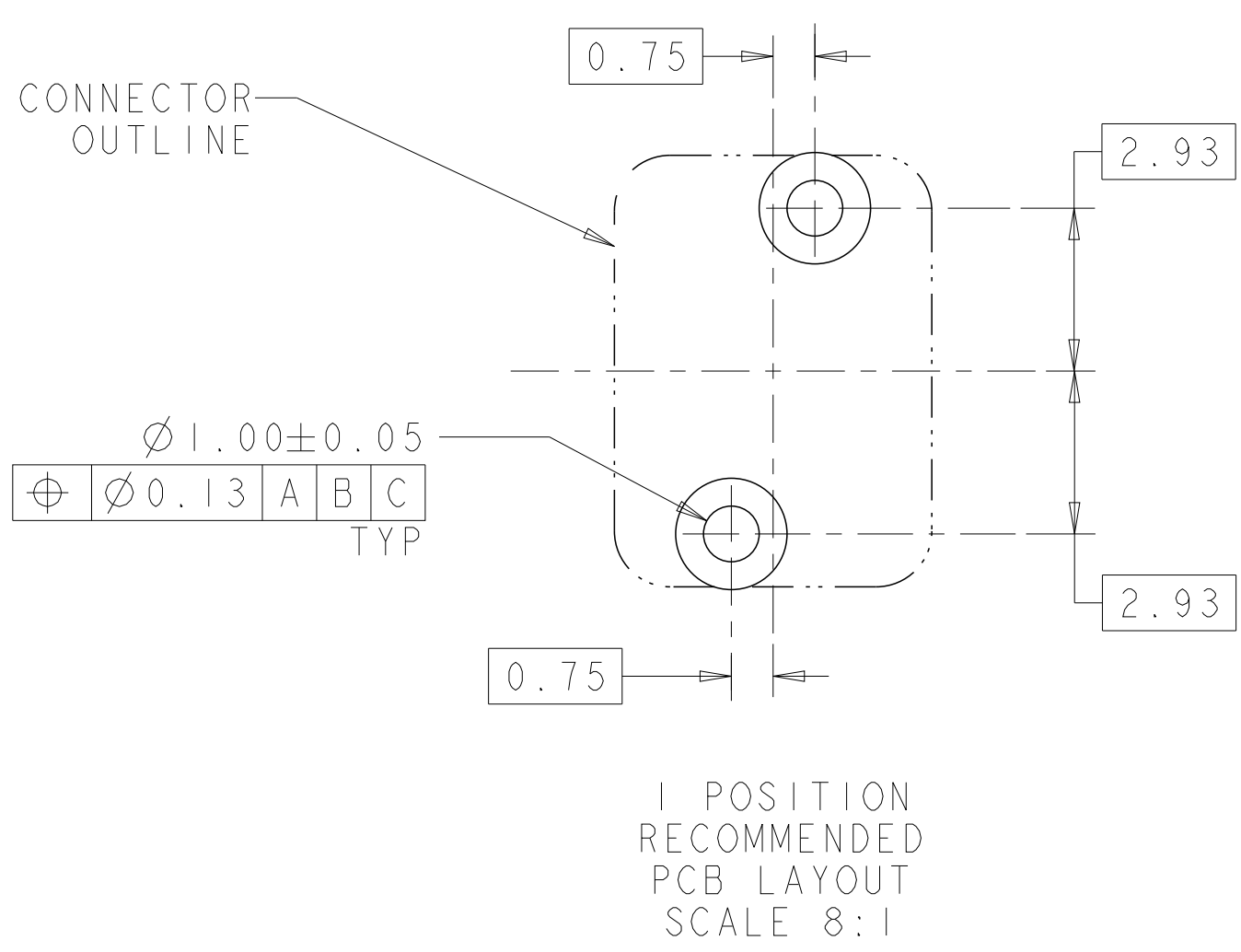
PRODUCT SPEC: 108-2404, APPLICATION SPEC: 114-13266, WEIGHT: -

SIZE: A2, CAGE CODE: 00779, DRAWING NO: C-2106751, RESTRICTED TO: -

Customer Drawing, SCALE: 8:1, SHEET: 1 OF 3, REV: C

THIS DRAWING IS UNPUBLISHED. RELEASED FOR PUBLICATION 20
 © COPYRIGHT 20 BY - ALL RIGHTS RESERVED.

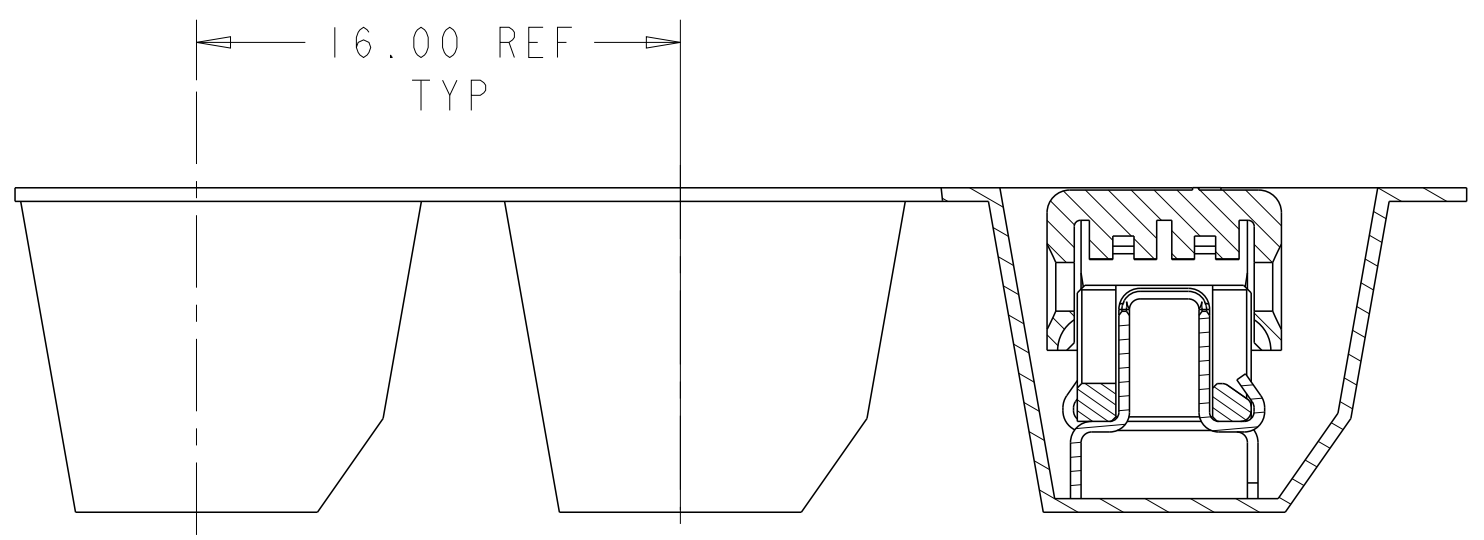
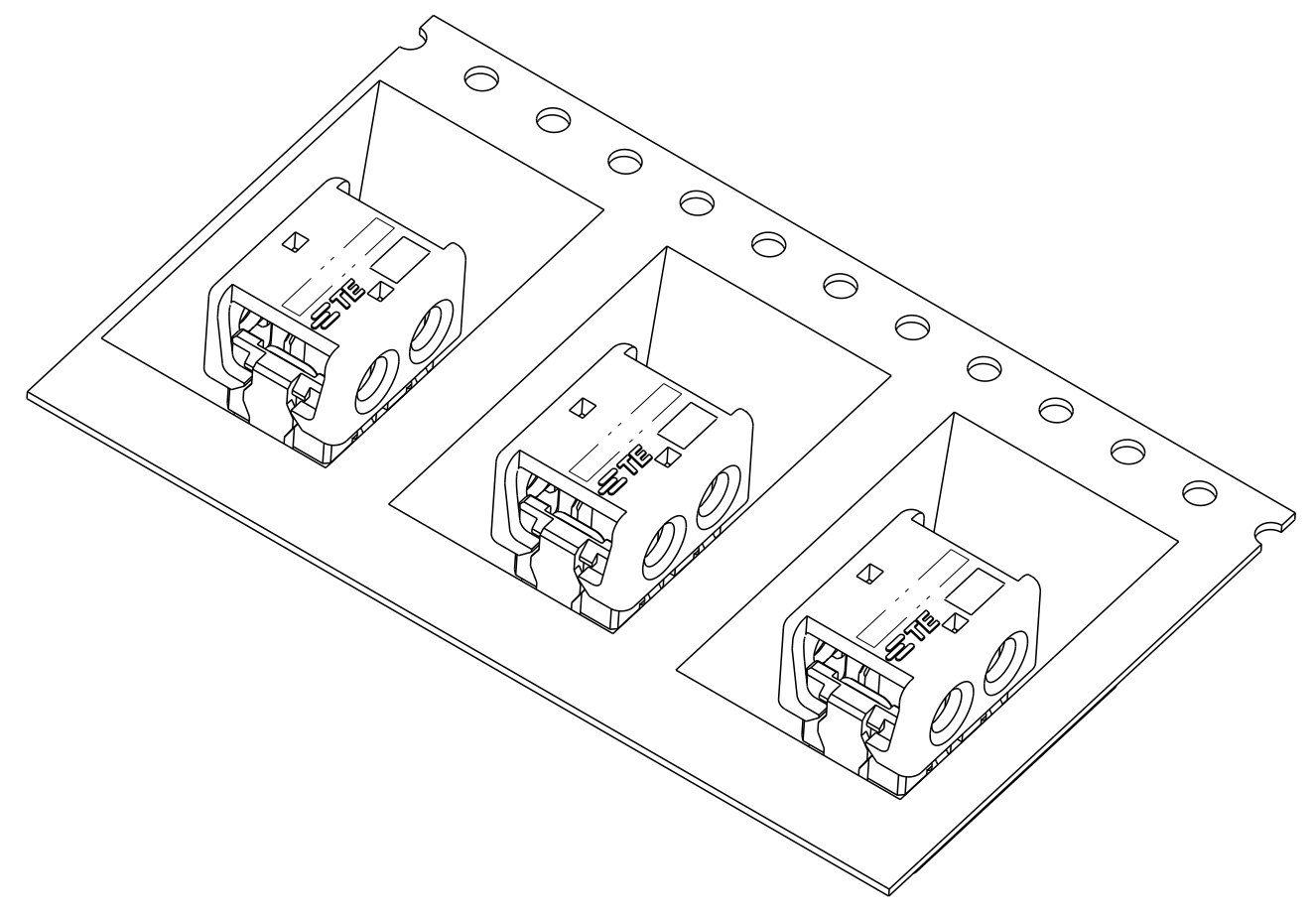
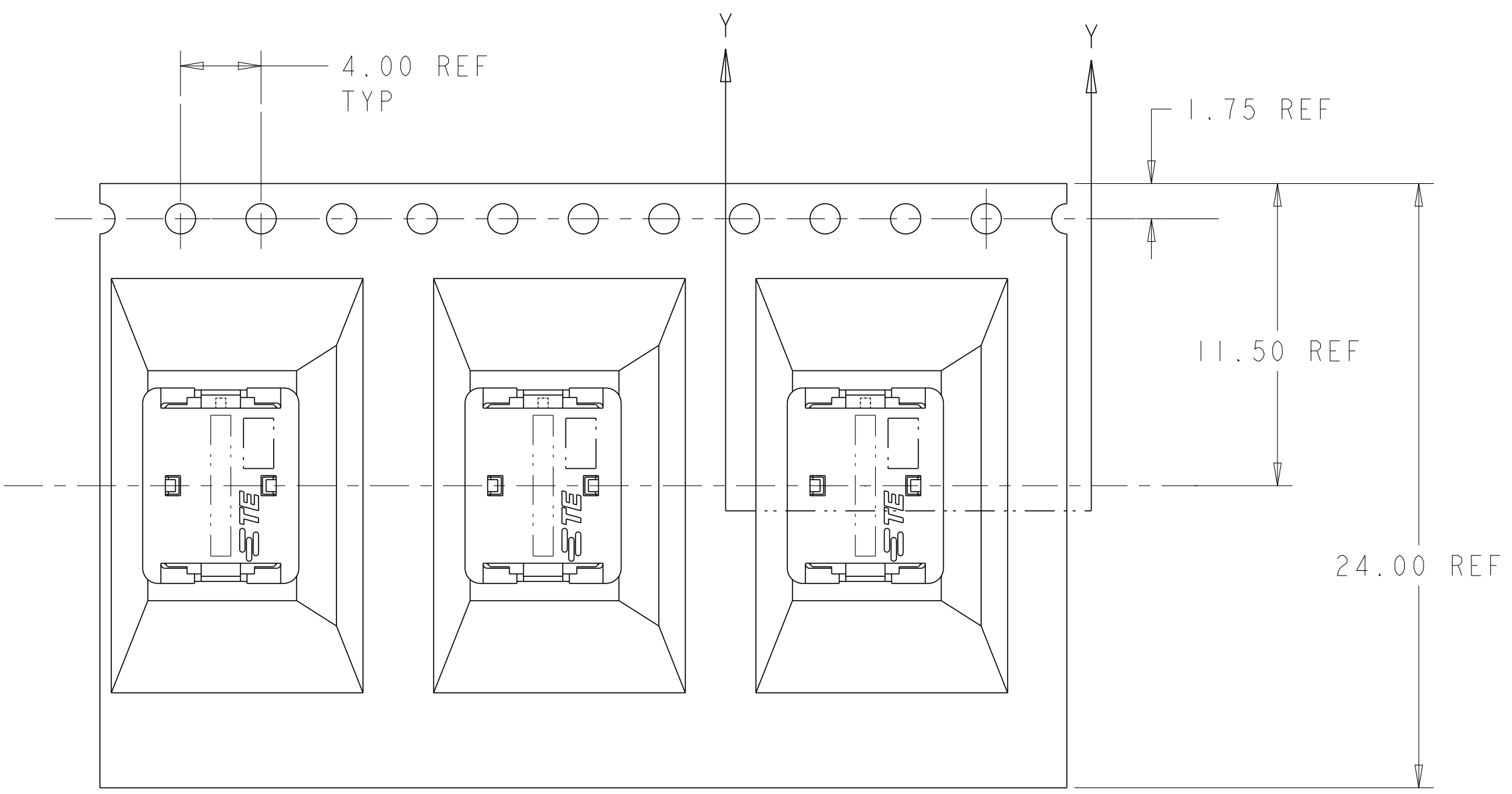
LOC		DIST		REVISIONS			
P	LTR	DESCRIPTION		DATE	DWN	APVD	
-	-	SEE SHEET 1		-	-	-	



THIS DRAWING IS A CONTROLLED DOCUMENT.		DWN 26AUG2009 WM VAN SCYOC	STE TE Connectivity	
		CHK 26AUG2009 O OSAGIE		
DIMENSIONS:	TOLERANCES UNLESS OTHERWISE SPECIFIED:	APVD -	NAME ASSEMBLY, IDC SSL CONNECTOR, THROUGH HOLE, PASS THRU	
mm	0 PLC ± 1 PLC ±0.5 2 PLC ±0.13 3 PLC ± 4 PLC ±	PRODUCT SPEC 108-2404	SIZE CAGE CODE DRAWING NO	
	ANGLES ±	APPLICATION SPEC 114-13266	A200779 C-2106751	
MATERIAL	FINISH	WEIGHT -	RESTRICTED TO	
material_2	finish_spec_2	Customer Drawing	SCALE 8:1	SHEET 1 OF 3 REV C


THIS DRAWING IS UNPUBLISHED. RELEASED FOR PUBLICATION 20
 © COPYRIGHT 20 BY - ALL RIGHTS RESERVED.

LOC		DIST		REVISIONS				
P	LTR	DESCRIPTION			DATE	DWN	APVD	
-	-	SEE SHEET 1			-	-	-	



SECTION Y-Y

2106751-2 SHOWN IN POCKET TAPE

THIS DRAWING IS A CONTROLLED DOCUMENT.		DWN 26AUG2009 WM VAN SCYOC	 TE Connectivity	
DIMENSIONS: mm		CHK 26AUG2009 O. QSAGIE		
TOLERANCES UNLESS OTHERWISE SPECIFIED:		PRODUCT SPEC		NAME
0 PLC ±	1 PLC ±0.5	108-2404		ASSEMBLY, IDC SSL CONNECTOR, THROUGH HOLE, PASS THRU
2 PLC ±0.13	3 PLC ±	APPLICATION SPEC		SIZE CAGE CODE DRAWING NO
4 PLC ±	ANGLES ±	114-13266		A200779 C-2106751
MATERIAL -	FINISH -	WEIGHT -	Customer Drawing	RESTRICTED TO -
material_2		finish_spec_2		SCALE 8:1 SHEET 1 OF 3 REV C

X-ON Electronics

Largest Supplier of Electrical and Electronic Components

Click to view similar products for [Lighting Connectors](#) category:

Click to view products by [TE Connectivity](#) manufacturer:

Other Similar products are found below :

[293300-7](#) [293660-5](#) [CNX_H03_NTP](#) [30-9767-BU](#) [3605](#) [3-21030-1](#) [ZCH-110-RGB-I](#) [503471-0290](#) [ZCH-110-RGB-J](#) [217-0716-200](#)
[1954563-1](#) [1-293657-2](#) [2834036-1](#) [2834037-1](#) [1-2213222-4](#) [2-2213222-4](#) [2213222-4](#) [2834122-3](#) [2834122-5](#) [2834135-2](#) [FLA-R4142-30](#)
[FLA-R4162-30](#) [FLA-R2142-30](#) [FLA-R2141-30](#) [FLA-R2162-30](#) [FLA-R2161-30](#) [FLA-R0161-30](#) [FLA-R0141-30](#) [FLA-R0142-30](#) [FLA-](#)
[R0162-30](#) [FLA-C00-00](#) [DGA00010553](#) [CNXV04NTP](#) [104128-0610](#) [503485-0000 \(Cut Strip\)](#) [503485-0000 \(Loose Piece\)](#) [503485-0000](#)
[\(MINI Reel\)](#) [1-2834074-2](#) [1-2834074-3](#) [1357-AC PLUG W2C \(CHINA\)](#) [1357-AC PLUG W2 \(USA\)](#) [104266-0110](#) [2106212-1](#) [2-2834074-2](#)
[104266-0210](#) [293470-1](#) [293651-2](#) [293651-4](#) [1-2834006-2](#) [293651-1](#)