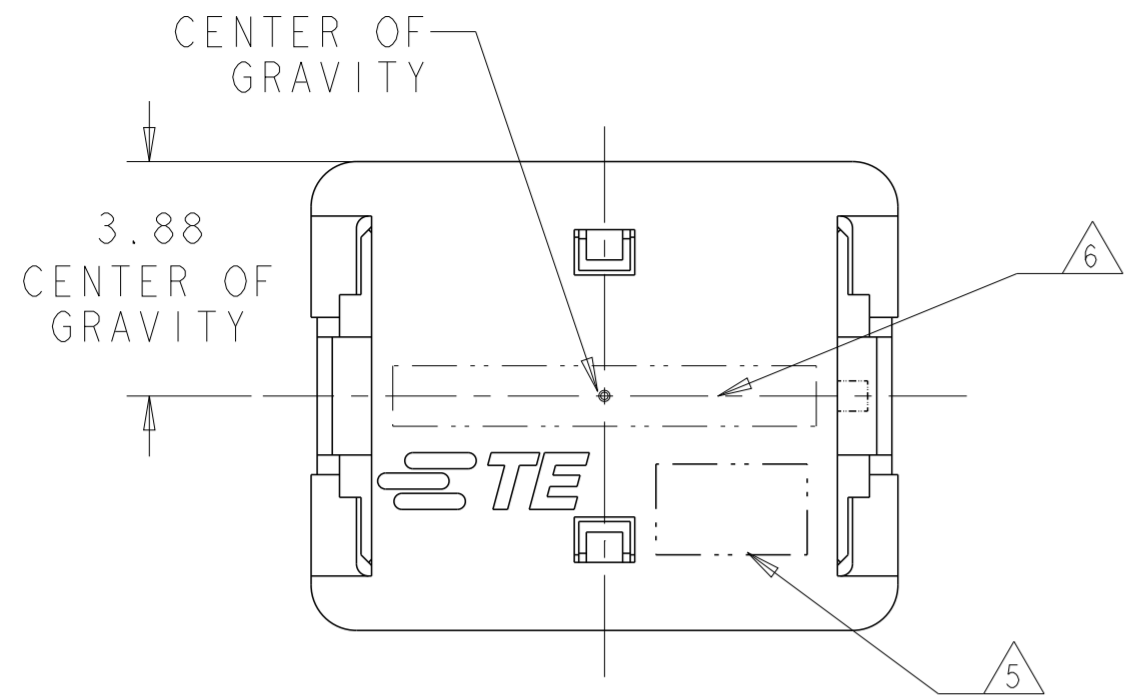
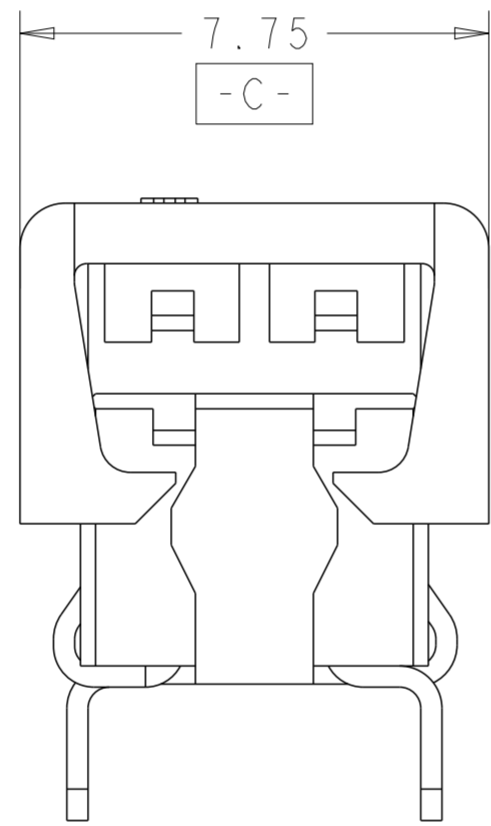


THIS DRAWING IS UNPUBLISHED. RELEASED FOR PUBLICATION 20
 © COPYRIGHT 20 BY - ALL RIGHTS RESERVED.

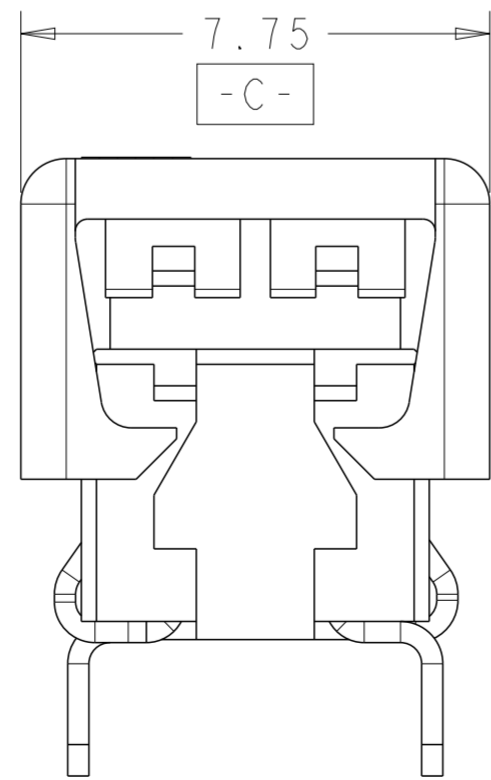
LOC		DIST		REVISIONS			
P	LTR	DESCRIPTION		DATE	DWN	APVD	
	AI	REVISED PER ECR-12-003555		19APR2012	RS	DD	
	A2	REVISED PER ECR-12-016877		20OCT2012	RS	DD	
	B	REVISED PER ECR-15-004054		28JUL2015	RS	DD	
	C	REVISED PER ECR-15-017995		18DEC2015	RS	DD	



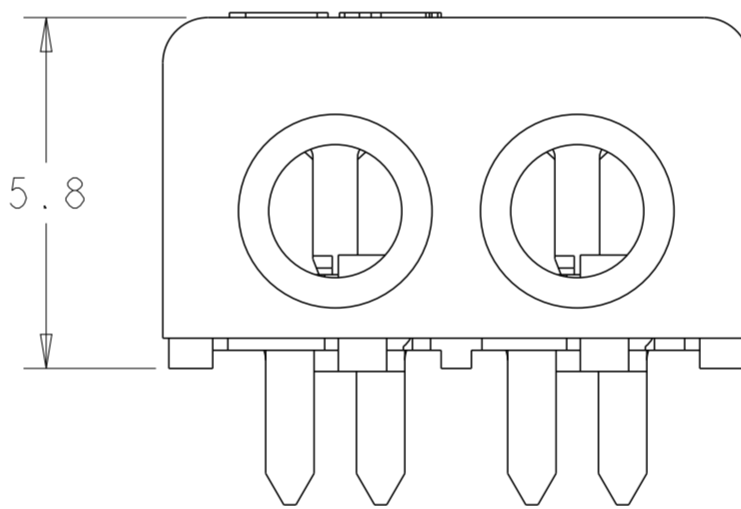
2 POSITION SHOWN AS SHIPPED



FOR 2, 3 AND 4 POSITIONS

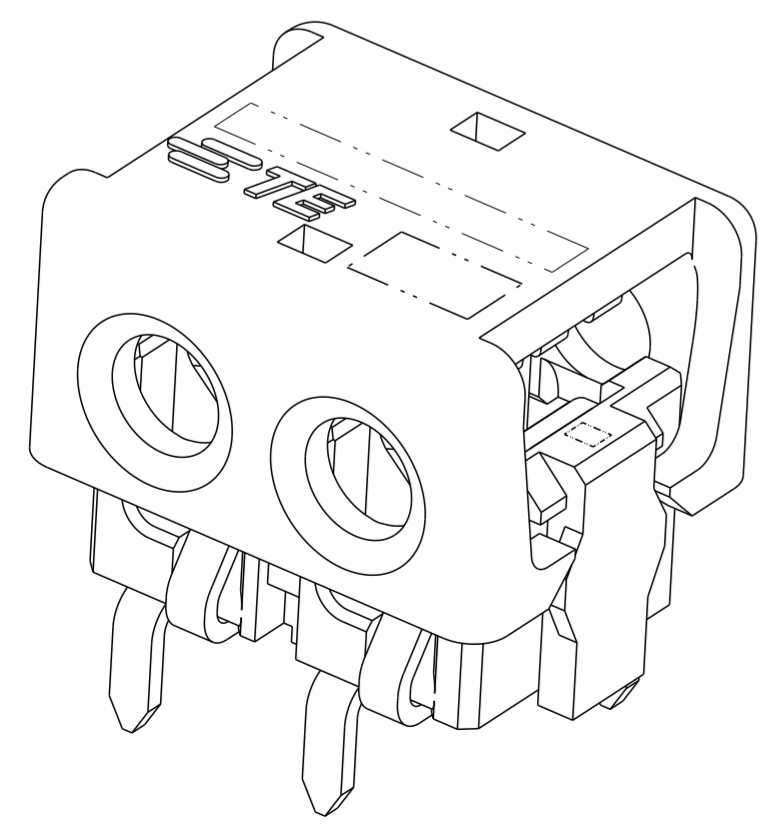
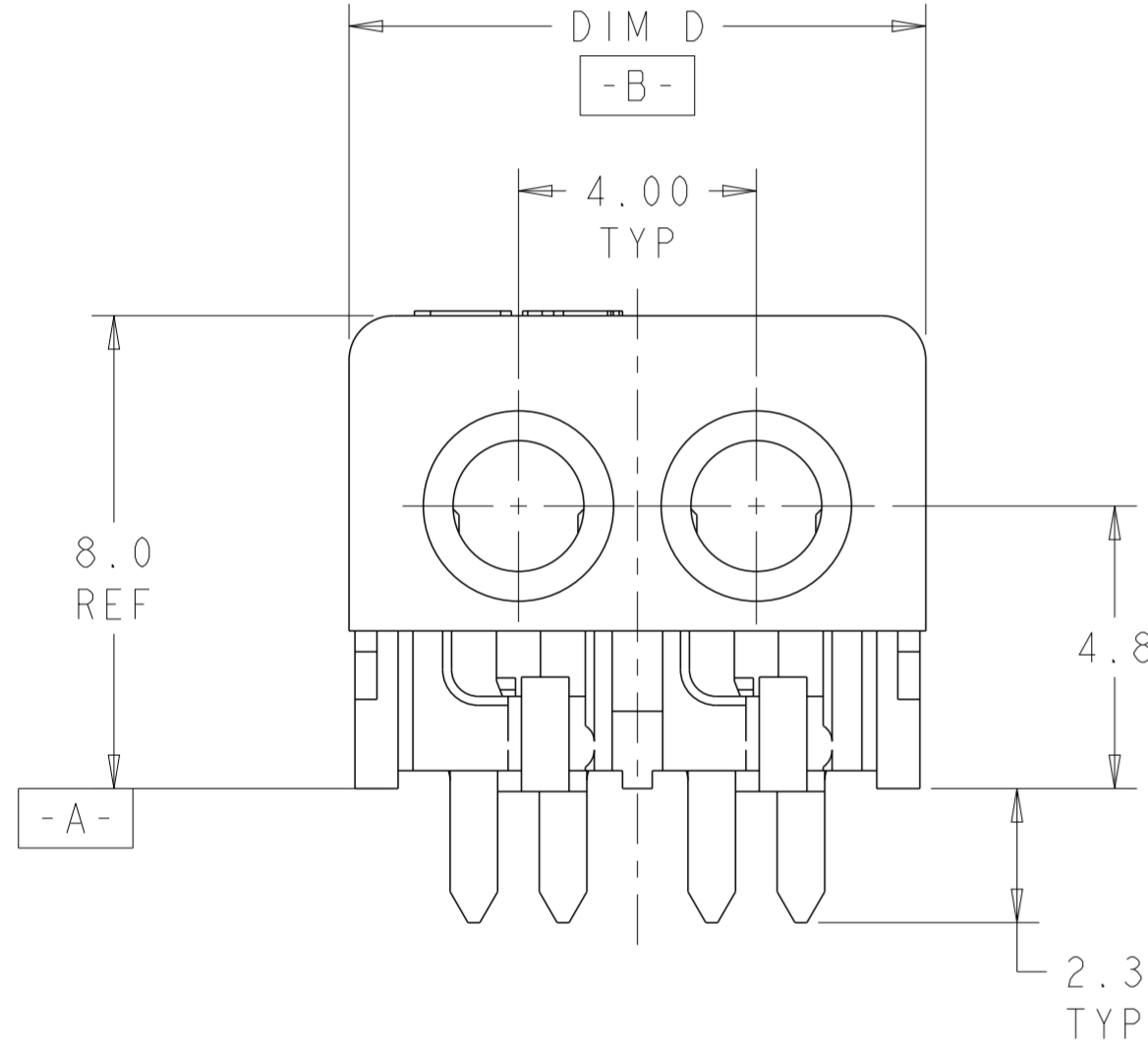


FOR 1 POSITION ONLY



2 POSITION SHOWN CLOSED SCALE 8:1

- 1. MATERIALS AND FINISH:
 - HOUSING: LCP, COLOR: NATURAL
 - CONTACTS: COPPER ALLOY, FINISH: Sn OVER Ni
- 2. COMPLY WITH DIRECTIVE 2002/95/EC (ROHS)
- 3. 18-24AWG SOLID OR STRANDED WIRE. PLEASE REFER TO APPLICATION SPEC 114-13266 FOR RECOMMENDED STRAND COUNT.
 - 18 AWG MAX INSULATION OD 2.20
 - 20 AWG MAX INSULATION OD 1.90
 - 22 AWG MAX INSULATION OD 1.70
 - 24 AWG MAX INSULATION OD 1.45
- 4. PACKAGE IN TAPE AND REEL PER EIA-481 SPECIFICATION
- 5. WIRE SIZE MARKING IN APPROXIMATE LOCATION SHOWN.
- 6. COLOR CODE MARKING, STRAIGHT LINE.
- 7. ONE POSITION ASSEMBLY DOES NOT COMPLY WITH EIA 481 SPECIFICATION.



COLOR CODE	DIM D	WIRE SIZE	POSN	PART NUMBER
RED	17.70	24 AWG	4	3-2106751-4
	13.70	24 AWG	3	3-2106751-3
	9.70	24 AWG	2	3-2106751-2
	5.70	24 AWG	1	7 3-2106751-1
GREEN	17.70	22 AWG	4	2-2106751-4
	13.70	22 AWG	3	2-2106751-3
	9.70	22 AWG	2	2-2106751-2
	5.70	22 AWG	1	7 2-2106751-1
BLUE	17.70	20 AWG	4	1-2106751-4
	13.70	20 AWG	3	1-2106751-3
	9.70	20 AWG	2	1-2106751-2
	5.70	20 AWG	1	7 1-2106751-1
YELLOW	17.70	18 AWG	4	2106751-4
	13.70	18 AWG	3	2106751-3
	9.70	18 AWG	2	2106751-2
	5.70	18 AWG	1	7 2106751-1

THIS DRAWING IS A CONTROLLED DOCUMENT. DWN 26AUG2009 WM VAN SCYOC
 CHK 26AUG2009 O. OSAGIE

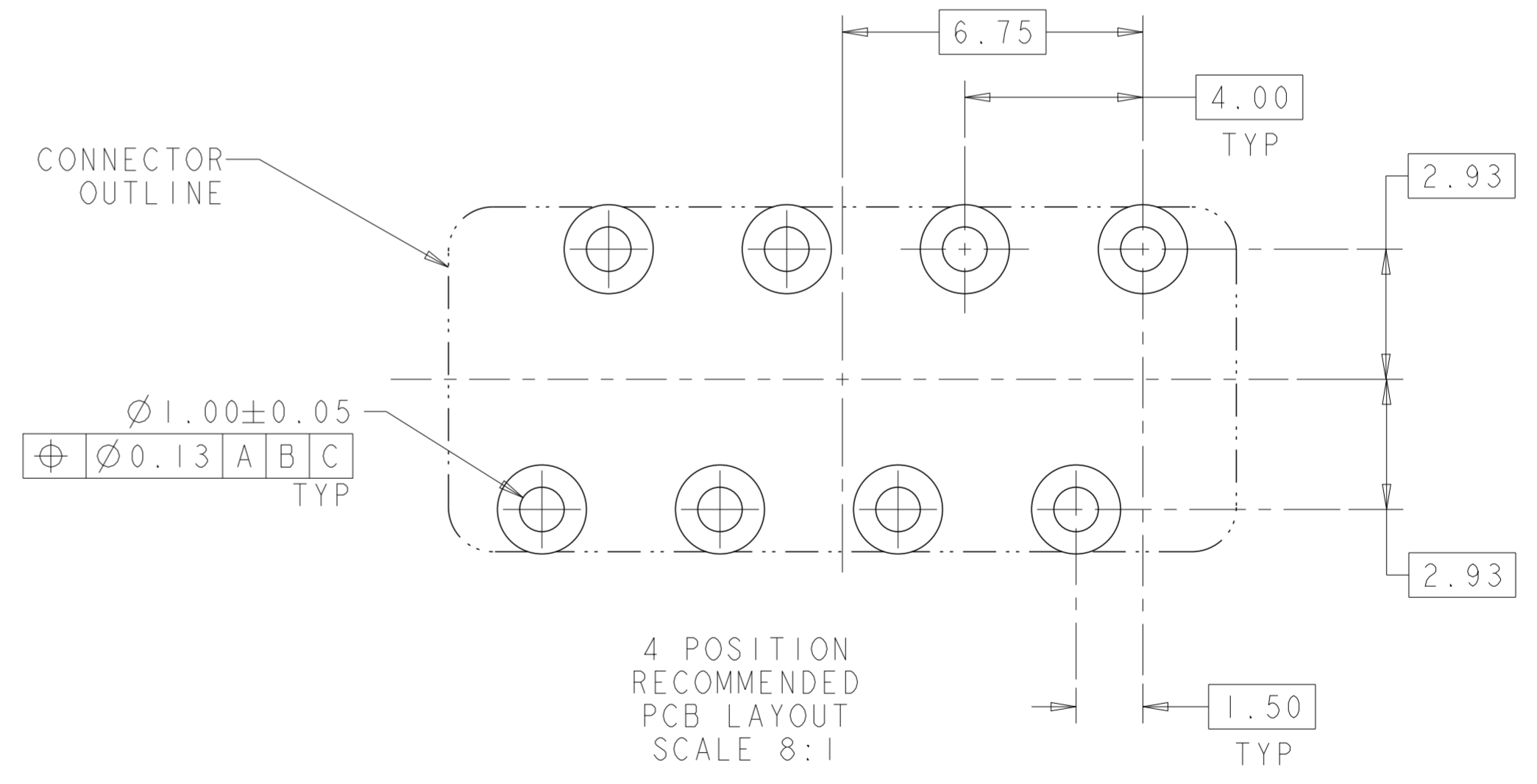
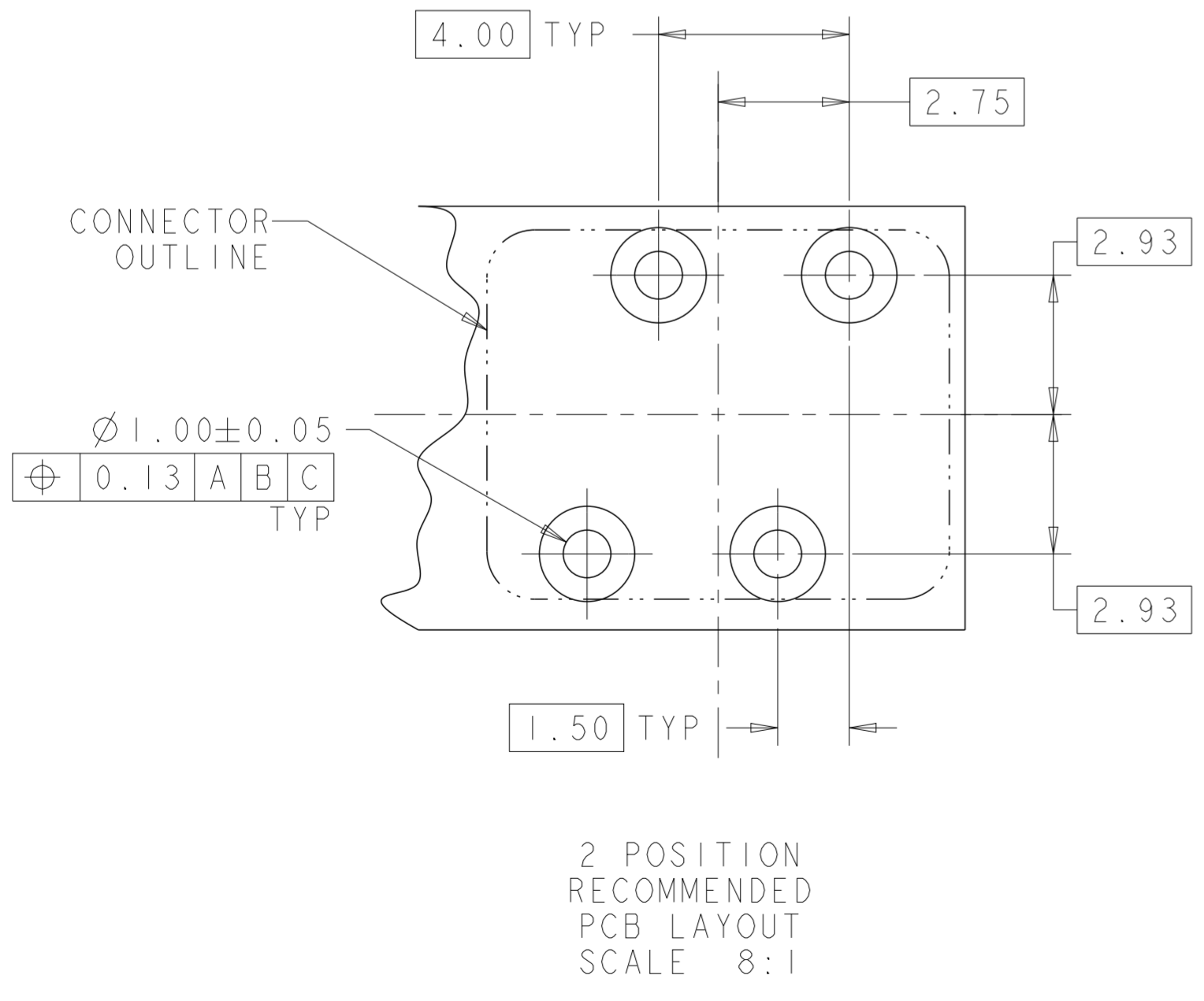
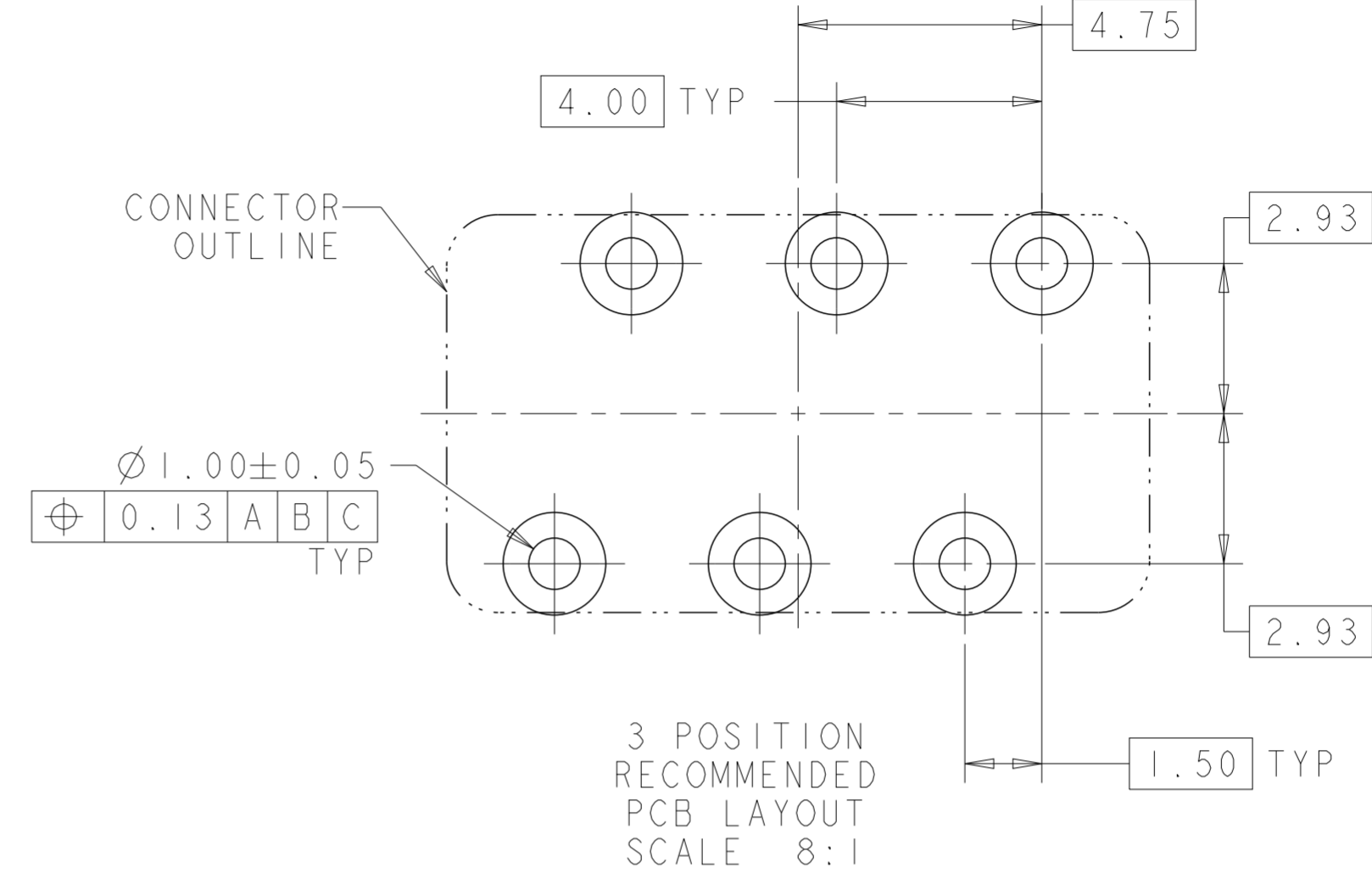
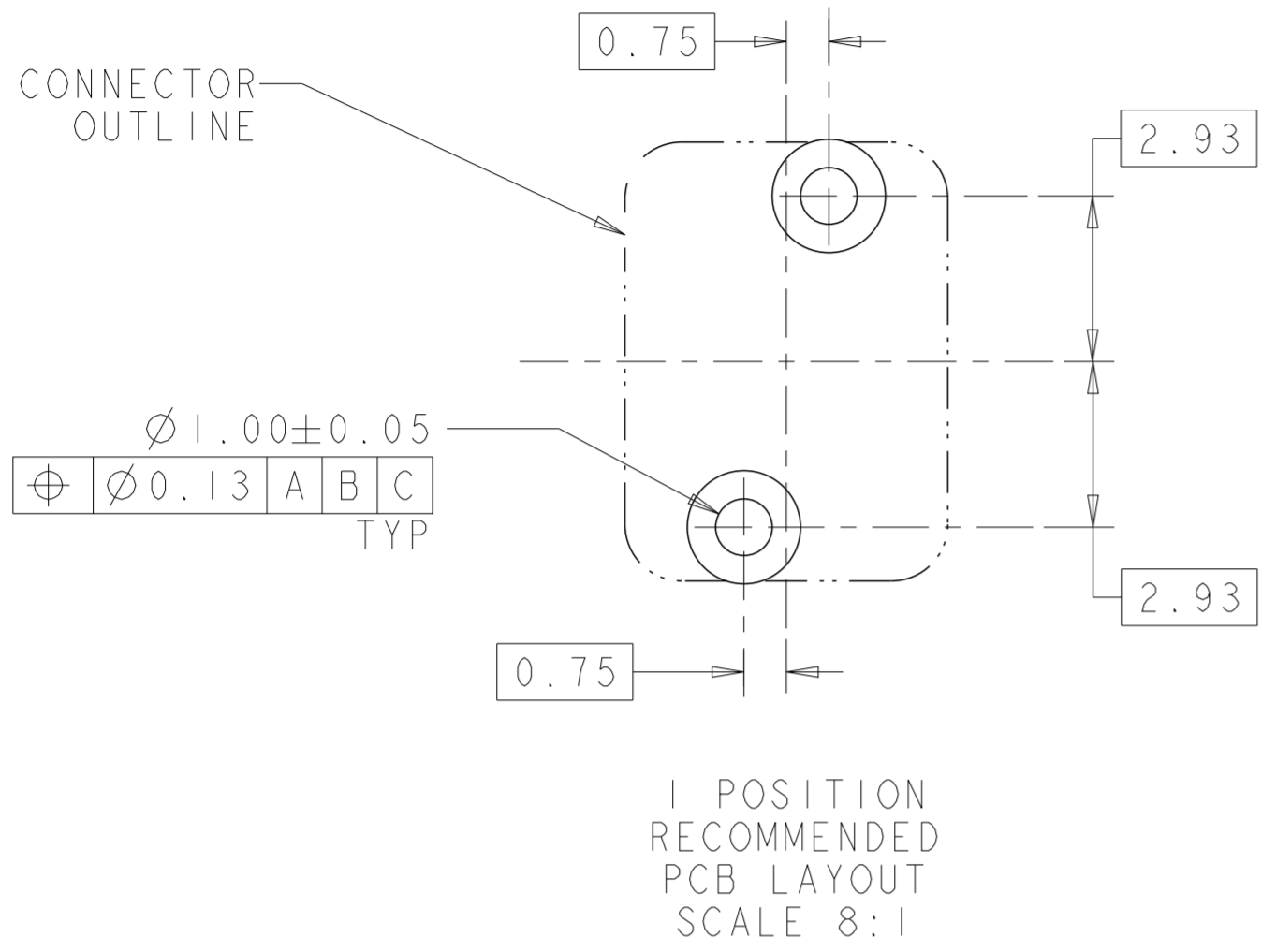
STE TE Connectivity

ASSEMBLY, IDC SSL CONNECTOR, THROUGH HOLE, PASS THRU

DIMENSIONS: mm	TOLERANCES UNLESS OTHERWISE SPECIFIED:	PRODUCT SPEC 108-2404	SIZE A2	CAGE CODE 00779	DRAWING NO C-2106751	RESTRICTED TO
0 PLC ±	1 PLC ±0.5	APPLICATION SPEC 114-13266	WEIGHT	SCALE 8:1	SHEET 1 OF 3	REV C
2 PLC ±0.13	3 PLC ±	MATERIAL	Customer Drawing			
4 PLC ±	ANGLES ±	FINISH				

THIS DRAWING IS UNPUBLISHED. RELEASED FOR PUBLICATION 20
 © COPYRIGHT 20 BY - ALL RIGHTS RESERVED.

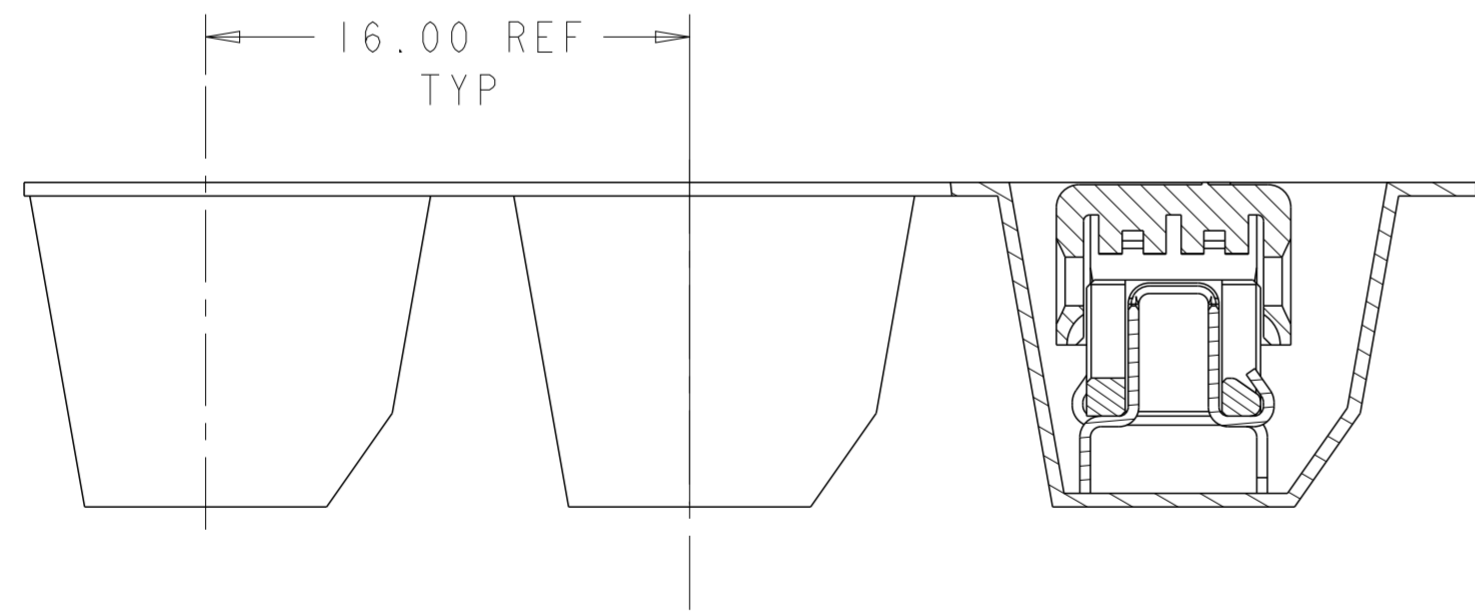
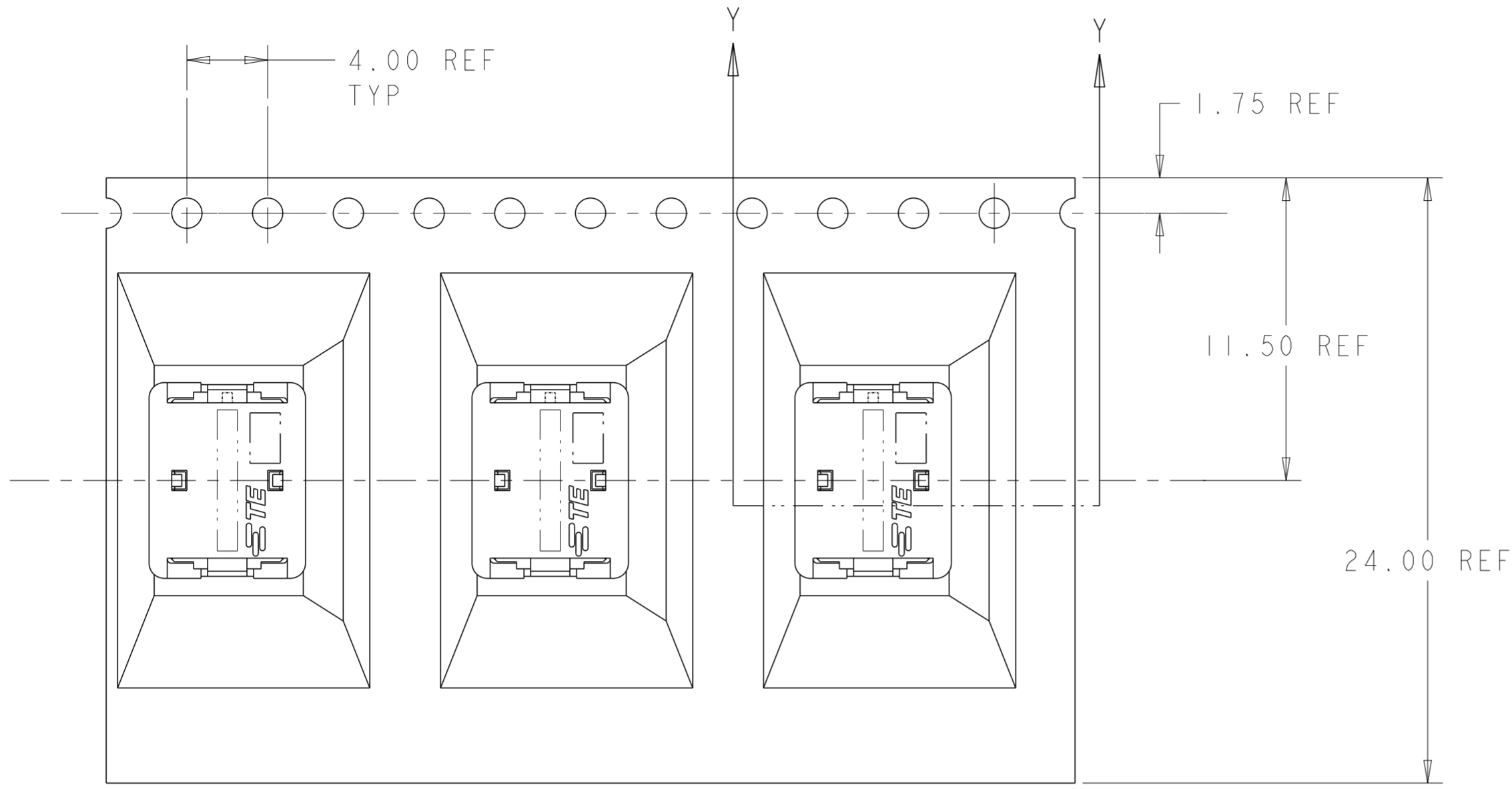
LOC		DIST		REVISIONS			
P	LTR	DESCRIPTION		DATE	DWN	APVD	
-	-	SEE SHEET 1		-	-	-	



THIS DRAWING IS A CONTROLLED DOCUMENT.		DWN 26AUG2009 WM VAN SCYOC	STE TE Connectivity	
		CHK 26AUG2009 O OSAGIE		
DIMENSIONS:	TOLERANCES UNLESS OTHERWISE SPECIFIED:	APVD -	NAME ASSEMBLY, IDC SSL CONNECTOR, THROUGH HOLE, PASS THRU	
mm	0 PLC ± 1 PLC ±0.5 2 PLC ±0.13 3 PLC ± 4 PLC ±	PRODUCT SPEC 108-2404	SIZE CAGE CODE DRAWING NO	
	ANGLES ±	APPLICATION SPEC 114-13266	A200779 C-2106751	
MATERIAL	FINISH	WEIGHT -	RESTRICTED TO	
material_2	finish_spec_2	Customer Drawing	SCALE 8:1	SHEET 1 OF 3 REV C


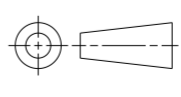
THIS DRAWING IS UNPUBLISHED. RELEASED FOR PUBLICATION 20
 © COPYRIGHT 20 BY - ALL RIGHTS RESERVED.

LOC		DIST		REVISIONS				
P	LTR	DESCRIPTION			DATE	DWN	APVD	
-	-	SEE SHEET 1			-	-	-	



SECTION Y-Y

2106751-2 SHOWN IN POCKET TAPE

THIS DRAWING IS A CONTROLLED DOCUMENT.		DWN 26AUG2009 WM VAN SCYOC	 TE Connectivity	
		CHK 26AUG2009 O. OSAGIE		
DIMENSIONS:		TOLERANCES UNLESS OTHERWISE SPECIFIED:		NAME
mm	0 PLC ±	1 PLC ±0.5	2 PLC ±0.13	ASSEMBLY, IDC SSL CONNECTOR, THROUGH HOLE, PASS THRU
	3 PLC ±	4 PLC ±	ANGLES ±	SIZE CAGE CODE DRAWING NO
MATERIAL	FINISH	WEIGHT		A200779 C-2106751
material_2	finish_spec_2	Customer Drawing		RESTRICTED TO
SCALE 8:1				SHEET 1 OF 3
				REV C

X-ON Electronics

Largest Supplier of Electrical and Electronic Components

Click to view similar products for [Lighting Connectors](#) category:

Click to view products by [TE Connectivity](#) manufacturer:

Other Similar products are found below :

[293300-7](#) [293660-5](#) [CNX_H03_NTP](#) [30-9767-BU](#) [3605](#) [3-21030-1](#) [ZCH-110-RGB-I](#) [503471-0290](#) [ZCH-110-RGB-J](#) [217-0716-200](#)
[1954563-1](#) [1-293657-2](#) [2834036-1](#) [2834037-1](#) [1-2213222-4](#) [2-2213222-4](#) [2213222-4](#) [2834122-3](#) [2834122-5](#) [2834135-2](#) [FLA-R4142-30](#)
[FLA-R4162-30](#) [FLA-R2142-30](#) [FLA-R2141-30](#) [FLA-R2162-30](#) [FLA-R2161-30](#) [FLA-R0161-30](#) [FLA-R0141-30](#) [FLA-R0142-30](#) [FLA-](#)
[R0162-30](#) [FLA-C00-00](#) [DGA00010553](#) [CNXV04NTP](#) [104128-0610](#) [503485-0000 \(Cut Strip\)](#) [503485-0000 \(Loose Piece\)](#) [503485-0000](#)
[\(MINI Reel\)](#) [1-2834074-2](#) [1-2834074-3](#) [1357-AC PLUG W2C \(CHINA\)](#) [1357-AC PLUG W2 \(USA\)](#) [104266-0110](#) [2106212-1](#) [2-2834074-2](#)
[104266-0210](#) [293470-1](#) [293651-2](#) [293651-4](#) [1-2834006-2](#) [293651-1](#)