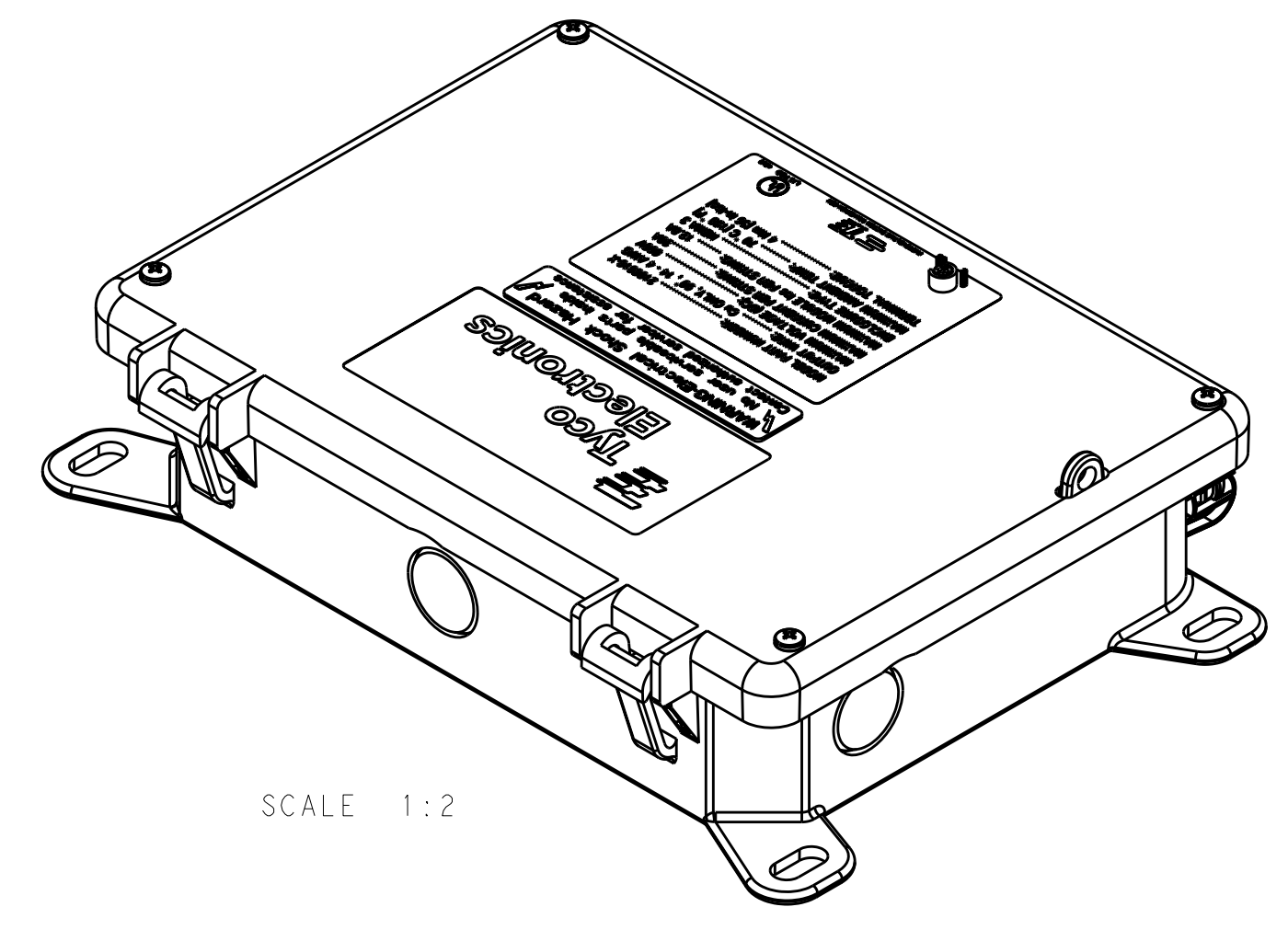
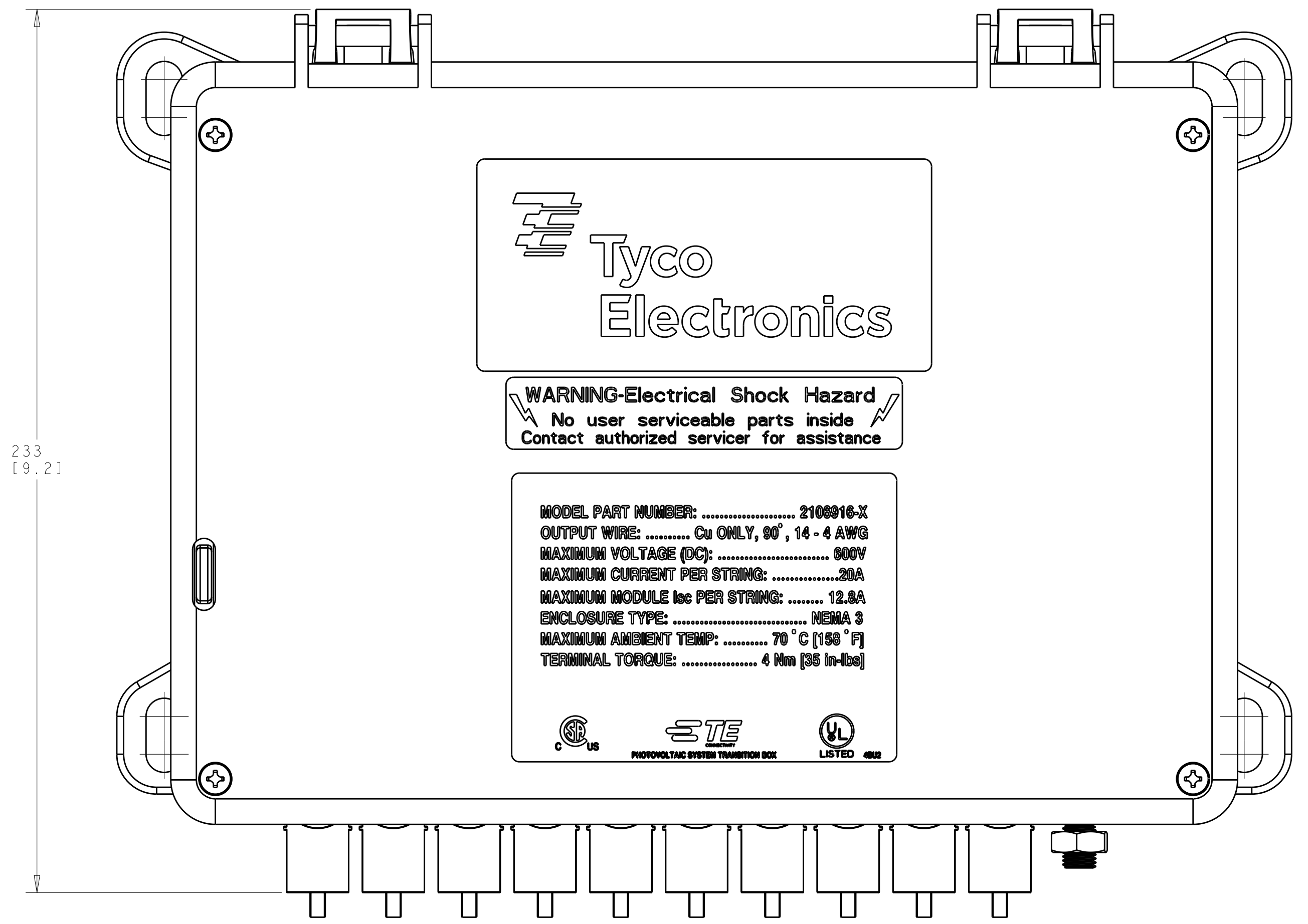
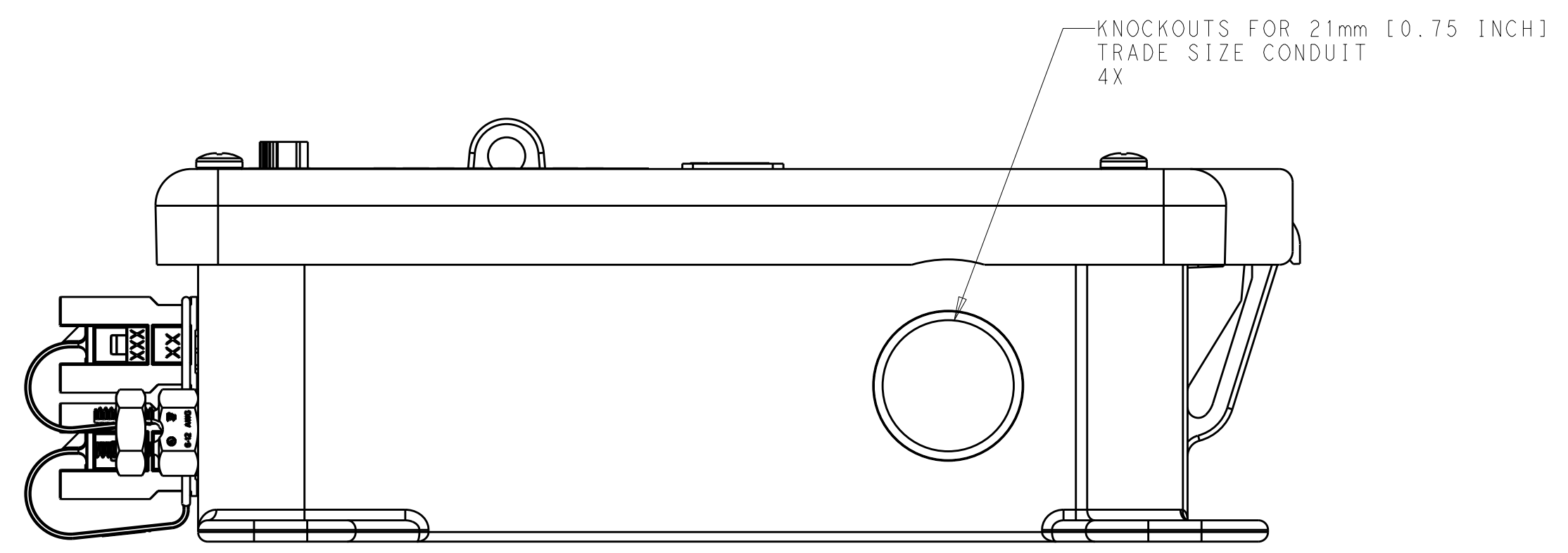
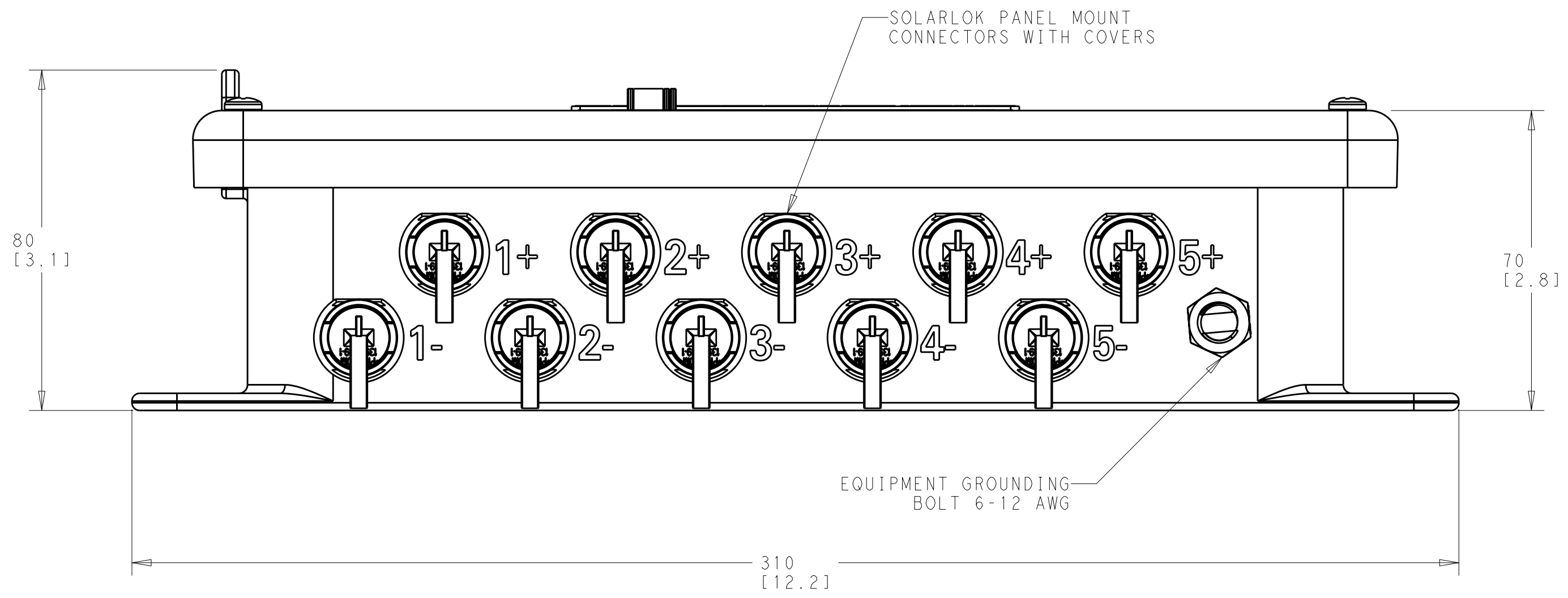


LOC	DIST	REV	DATE	BY	APP'D
-	-	C1	15JUL2011	DW	JE



- SEE INSTRUCTION SHEET 408-10360 FOR INSTALLATION REQUIREMENTS AND RATINGS FOR THE TRANSITION BOX.
- MOUNTING HARDWARE NOT SUPPLIED.
- THIS PRODUCT HAS NOT COMPLETED VALIDATION TESTING. IT HAS COMPLETED VERIFICATION TESTING AND UL LISTING (FILE E321923).
- THE INSIDE OF THE TRANSITION BOX IS NOT TO BE MODIFIED IN ANY WAY OR HAVE ADDITIONAL COMPONENTS INSTALLED (OTHER THAN THAT DESCRIBED BY THE INSTRUCTION SHEET 408-10360) AS THIS MAY VOID UL APPROVALS FOR THE TRANSITION BOX.

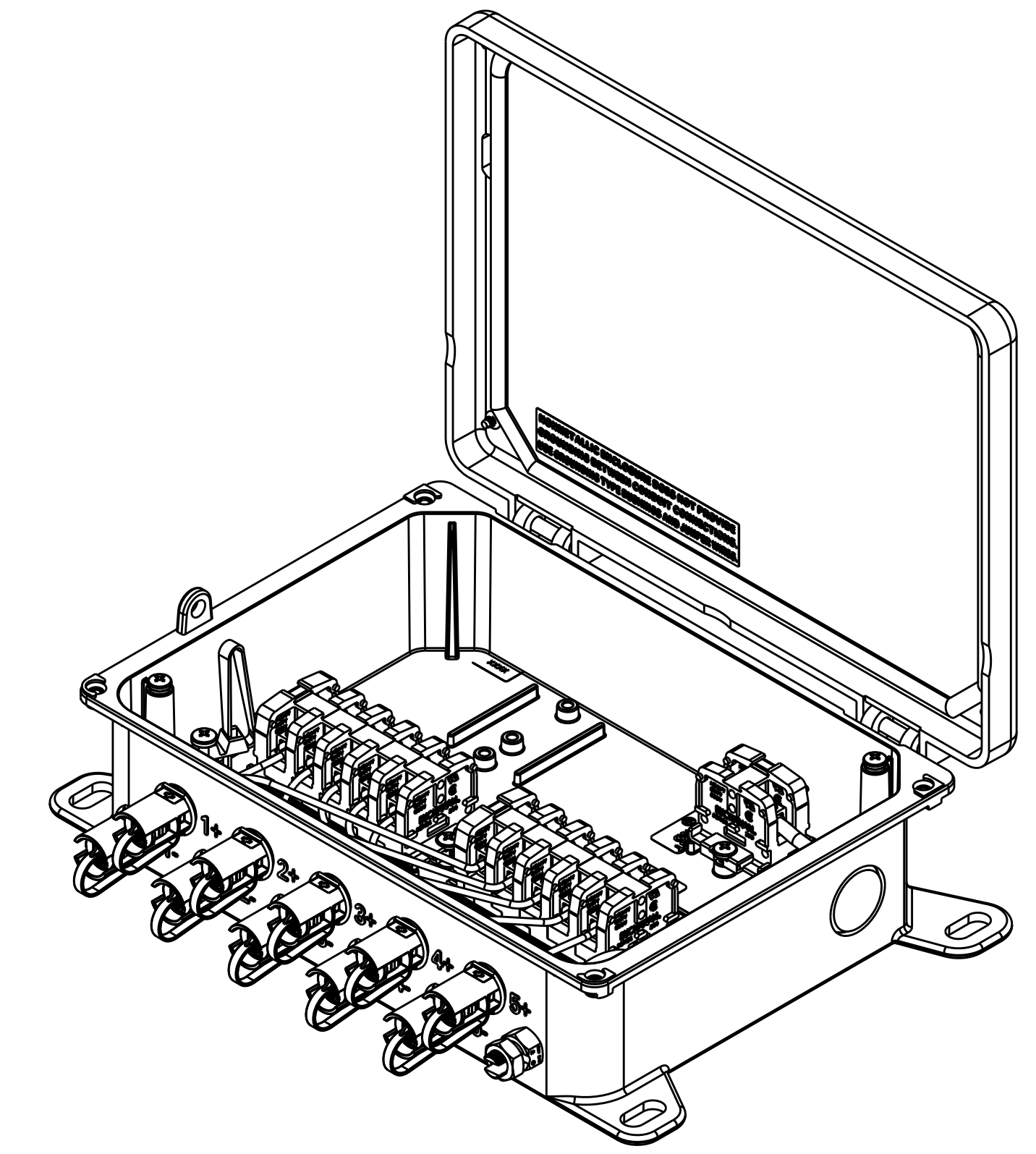
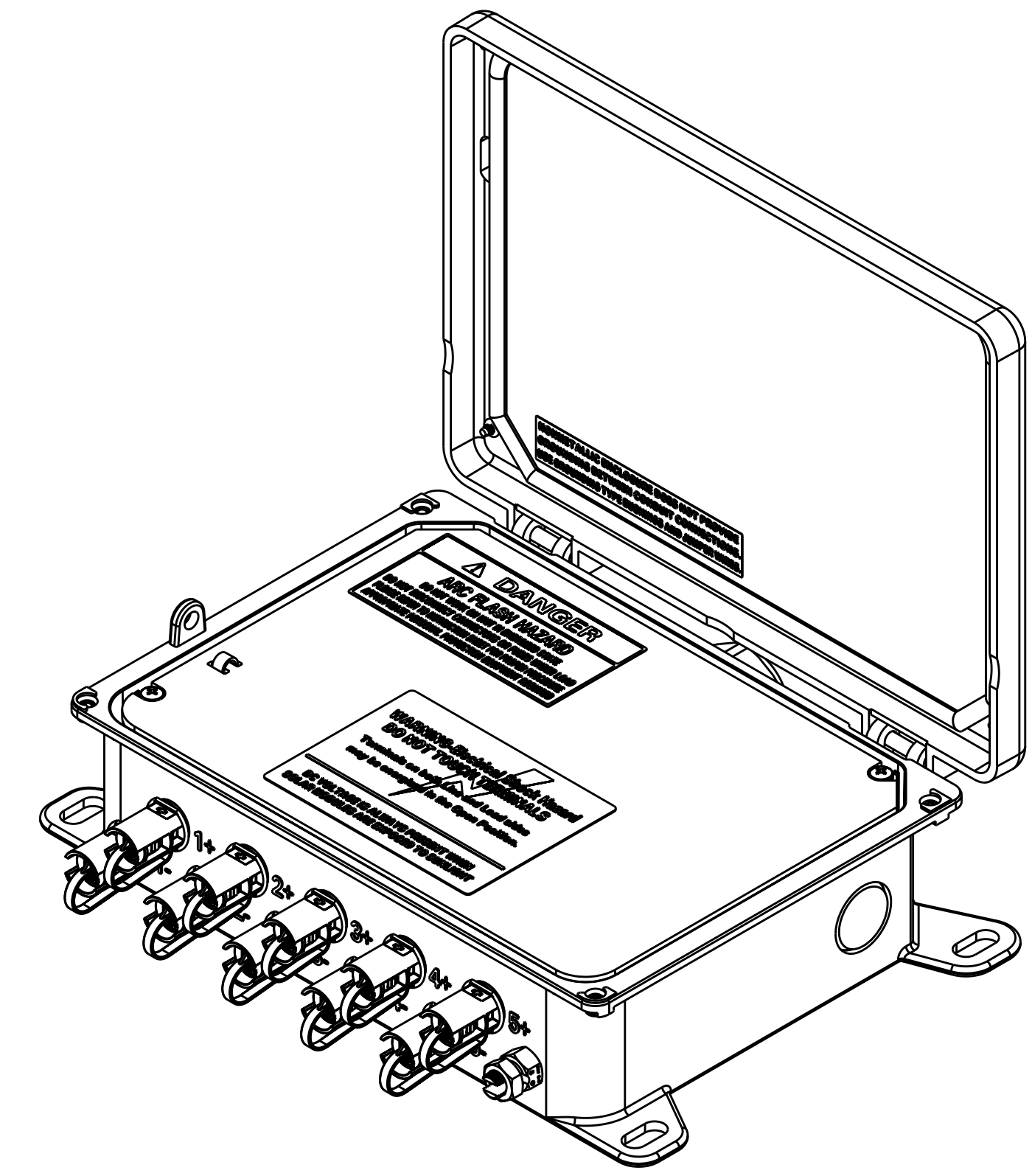
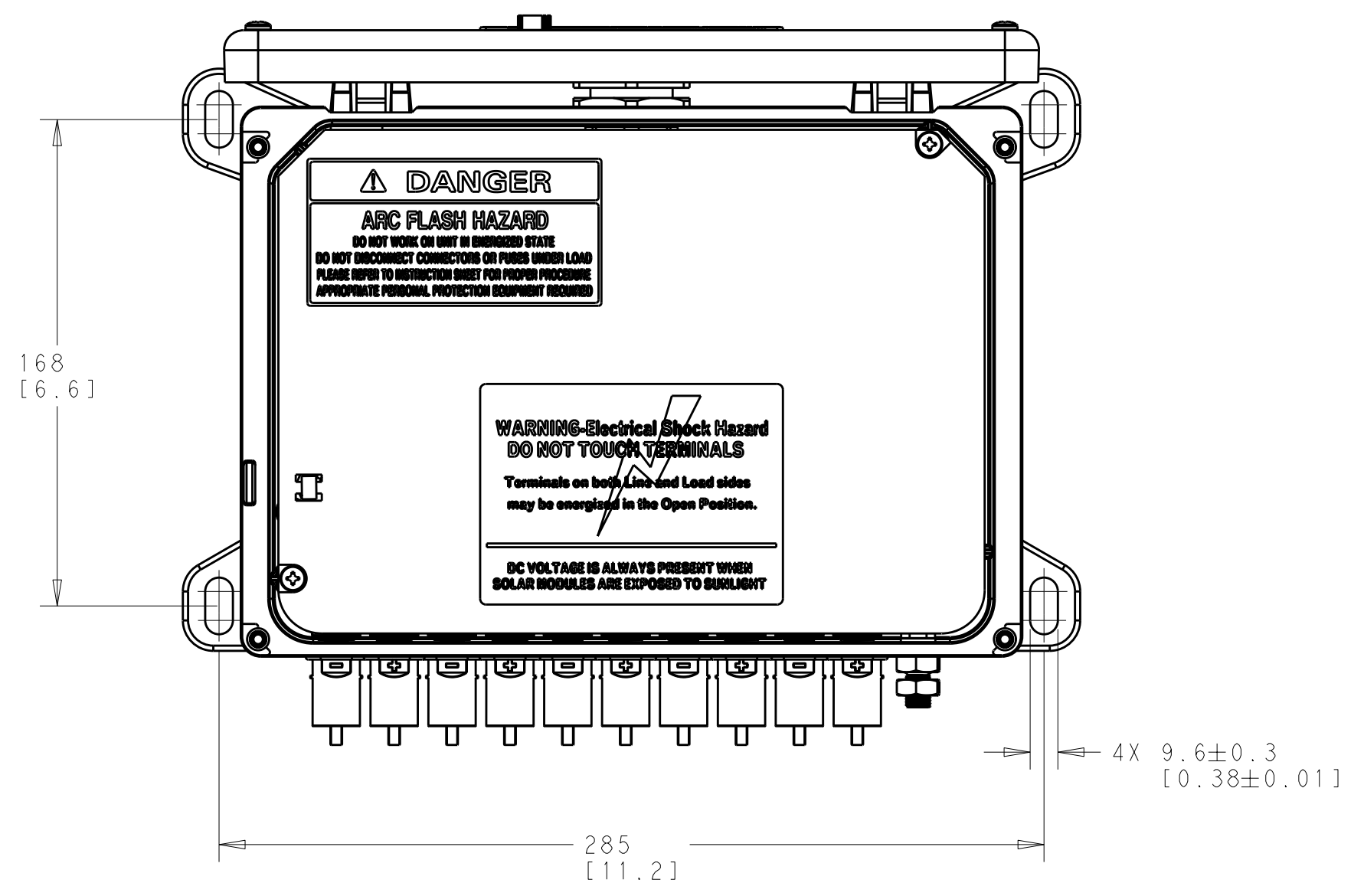


BLACK	2106916-1
ENCLOSURE COLOR	PART NUMBER

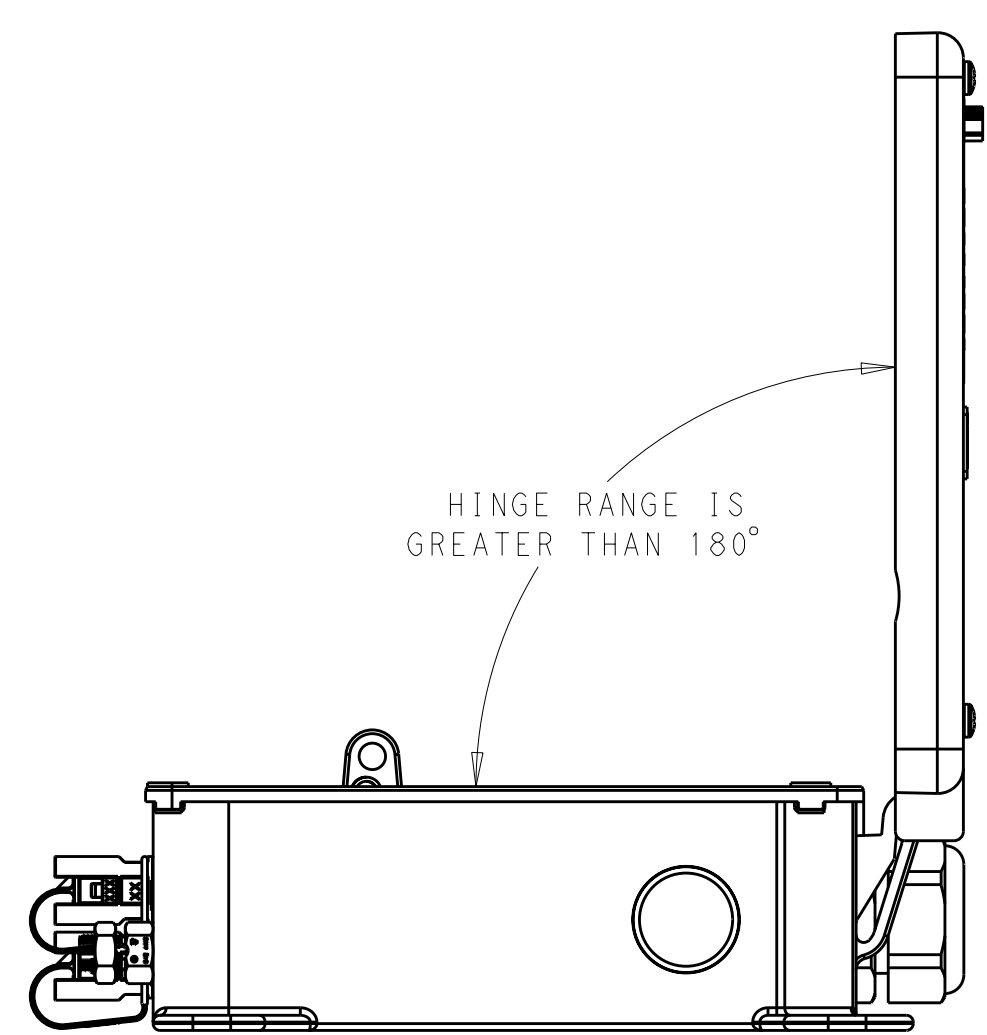
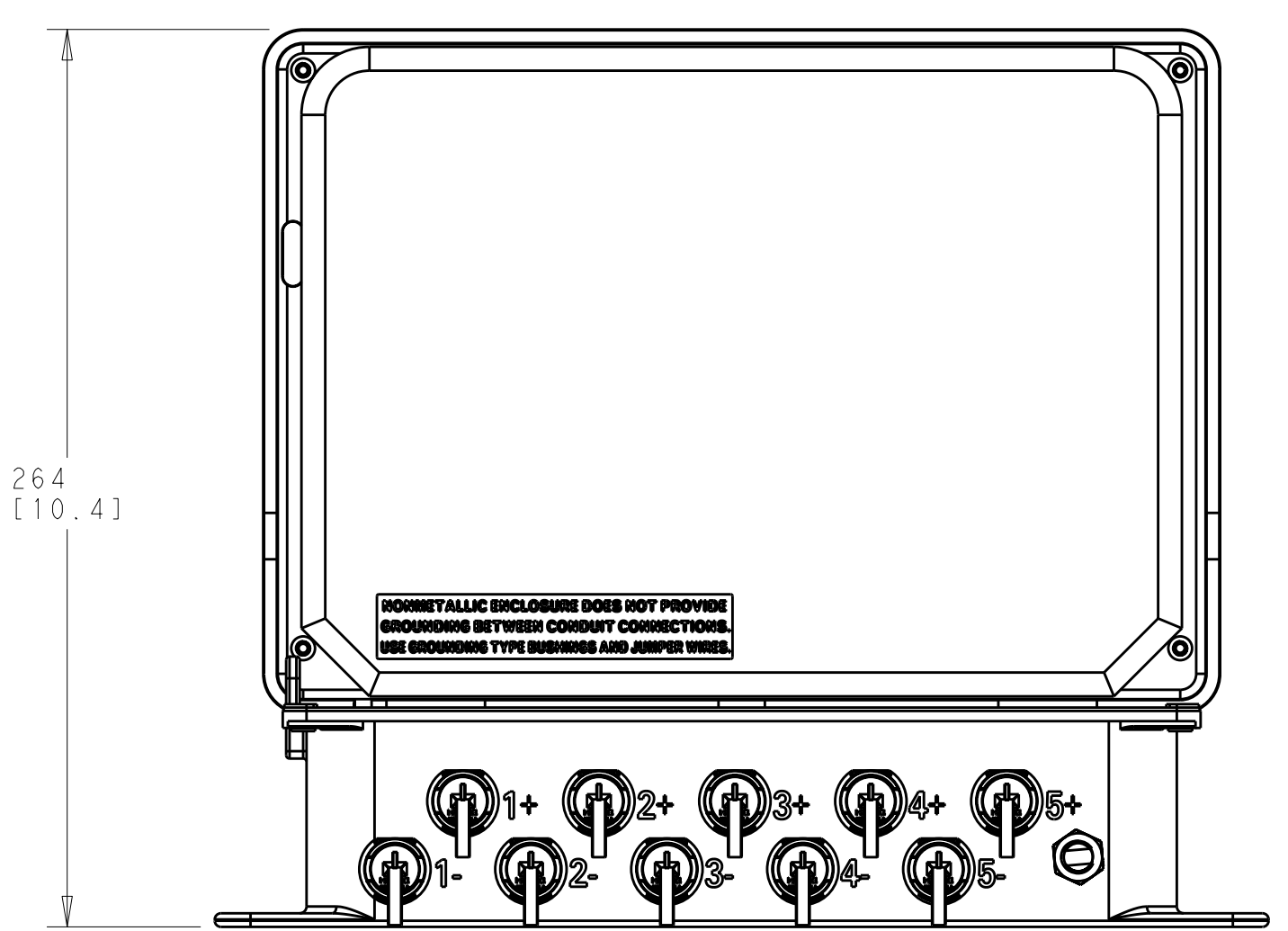
DIMENSIONS: mm TOLERANCES UNLESS OTHERWISE SPECIFIED: 0 PLC ±.5 1 PLC ±0.13 2 PLC ±0.13 3 PLC ±0.013 4 PLC ±0.0000 ANGLES ±.1 FINISH -		DWN S. WELDON 11JAN2011 CHK M. LAUEMANN 11JAN2011 APVD M. LAUEMANN 11JAN2011 PRODUCT SPEC - APPLICATION SPEC - WEIGHT 1.43kg [3.2 lbs] CUSTOMER DRAWING	Tyco Electronics Corporation Harrisburg, PA 17105-3608 NAME TRANSITION BOX, 5 STRING SIZE CAGE CODE DRAWING NO. A100779C=2106916 RESTRICTED TO - SCALE 1:3 SHEET 1 OF 2 REV C1
----------------------------------------------------------------------------------------------------------------------------------------------------------------	--	---------------------------------------------------------------------------------------------------------------------------------------------------------------------------	-----------------------------------------------------------------------------------------------------------------------------------------------------------------------------------------------

LOC	DIST	REV	DATE	BY	APPD
-	-	1	-	-	-
-	-	2	-	-	-

REVISIONS			
NO.	DESCRIPTION	DATE	BY
1	SEE SHEET 1	-	-



SHOWN OPEN WITH INNER COVER REMOVED



DIMENSIONS:		TOLERANCES UNLESS OTHERWISE SPECIFIED:		DWN S. WELDON 11 JAN 2011		Tyco Electronics Corporation Harrisburg, PA 17105-3608	
mm	0 PLC ±0.5	1 PLC ±0.13	2 PLC ±0.013	3 PLC ±0.0000	4 PLC ±0.0000	5 ANGLE ±0.0000	FINISH
MATERIAL		FINISH		WEIGHT 1.43kg (3.2 lbs)		SCALE 1:2 SHEET 2 OF 2	
CUSTOMER DRAWING		APPROVED M. LAUERMANN 11 JAN 2011		NAME TRANSITION BOX, 5 STRING		RESTRICTED TO	
CUSTOMER DRAWING		APPROVED M. LAUERMANN 11 JAN 2011		NAME TRANSITION BOX, 5 STRING		RESTRICTED TO	
CUSTOMER DRAWING		APPROVED M. LAUERMANN 11 JAN 2011		NAME TRANSITION BOX, 5 STRING		RESTRICTED TO	

X-ON Electronics

Largest Supplier of Electrical and Electronic Components

Click to view similar products for [TE Connectivity](#) manufacturer:

Other Similar products are found below :

[D38999/24FJ4AN](#) [570416-000](#) [CLTEQ-M81CE-SSRELAY-4-20V](#) [4-1195131-0](#) [650069-000](#) [SMD100-2](#) [358838-000](#) [CB-1022B-78](#)
[RM707012](#) [RP410012](#) [MMS42](#) [1-640426-8](#) [2EDL4CM](#) [DTS20W19-11PD-3028-LC](#) [RM202615](#) [NC6-P104-06](#) [MSPS103B](#) [DTS26F21-](#)
[41HE-LC](#) [DTS26F21-41AE](#) [DTS26F21-41PE-LC](#) [DTS26F21-11SE-3028-LC](#) [30DCB6](#) [1932144-1](#) [293545-4](#) [LVR125S](#) [MS27466T25F4PB](#)
[CKB-38-78010](#) [TR04AI-TINELLOCKRING](#) [1206SFF150F/63-2](#) [D38999/20JB35HA](#) [TE1500A2R2J](#) [D38999/20WC8BB](#) [DTS24F19-11SC-](#)
[3028-LC](#) [D38999/24WG11HA](#) [D38999/24WG11HN](#) [MS27467T21F11H](#) [DJT16E21-11HA](#) [MS27467T21F35J](#) [MS27467T21F11J](#)
[MS27467T21F16H-LC](#) [MS27467T21F35H](#) [MS27467T21F41H-LC](#) [1206SFH150F/24-2](#) [RP330024](#) [DJT16E21-11PA-LC](#) [DJT16E21-11HA-](#)
[LC](#) [DJT16E21-11AA](#) [MS27467T21B11JA](#) [DJT16E21-11JA](#) [MS27467T21B11JA-LC](#)