

THIS DRAWING IS UNPUBLISHED.

RELEASED FOR PUBLICATION

20

© COPYRIGHT 20 BY -

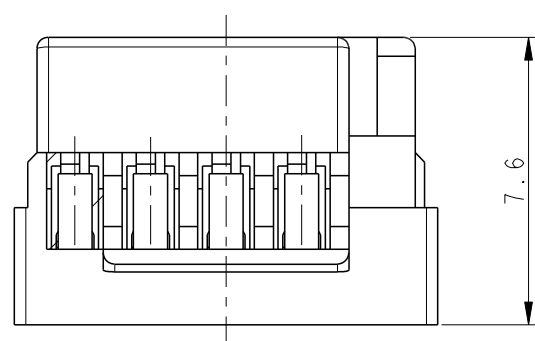
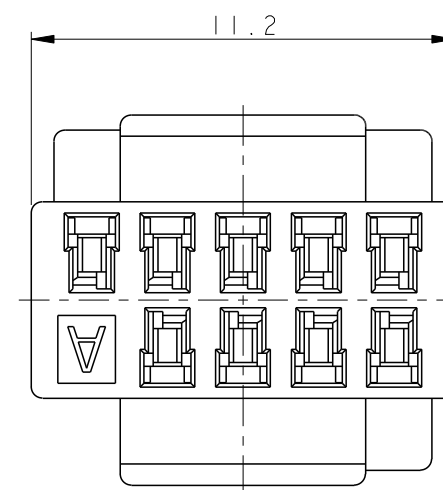
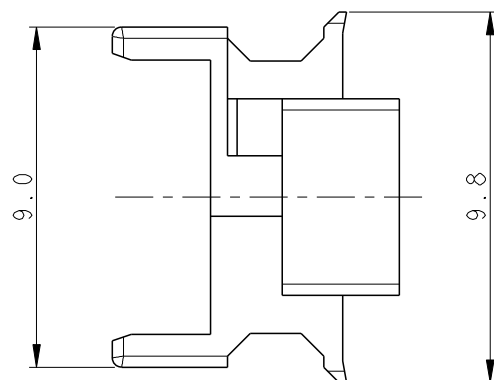
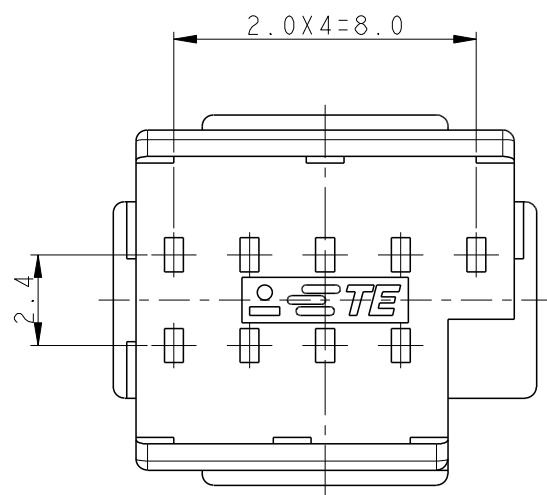
ALL RIGHTS RESERVED.

LOC
DS

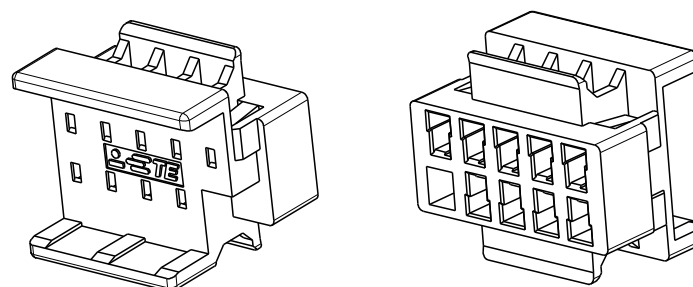
DIST
-

REVISIONS

| P | LTR | DESCRIPTION | DATE | DWN | APVD |
|---|-----|---------------------------|----------|-----|------|
| | AI | REVISED PER ECR-12-018350 | 26OCT'12 | SC | JK |




NOTE:
 1. APPLICABLE POST CONTACT P/N: 2069391-2
 2. MOUNTING FLANGE (BASE ASSY) P/N: 2108418-1
 3. COUNTER P/Ns
 - CABLE I/O KIT P/N: 2201825-1
 - REC. CONTACT P/N: 2174065-4



SCALE 3:1

| | |
|-----------|-------|
| 2108422-1 | BLACK |
| P/N | COLOR |

| | | | | | |
|---|--|------------------------------|---|--------------------|-------------------------|
| THIS DRAWING IS A CONTROLLED DOCUMENT. | | DWN SC KIM 24AUG2012 |  TE Connectivity | | |
| DIMENSIONS: mm | | CHK BW KANG 24AUG2012 | | | |
| TOLERANCES UNLESS OTHERWISE SPECIFIED: | | APVD JK SONG 24AUG2012 | NAME ENCODER 9P BASE ENTRY HSG | | |
| 0 PLC ± 1 PLC ± ±0.3 2 PLC ± ±0.3 3 PLC ± ±0.3 4 PLC ± ±0.3 ANGLES ± ± FINISH - | | PRODUCT SPEC 108-61148 | RESTRICTED TO | | |
| MATERIAL PA66 UL94V-0 | | APPLICATION SPEC 114-5446 | SIZE A3 | CAGE CODE 00779 | DRAWING NO C-2108422 |
| | | WEIGHT 0.283g | SCALE 5:1 | | |
| | | CUSTOMER DRAWING | SHEET 1 OF 1 REV AI | | |

X-ON Electronics

Largest Supplier of Electrical and Electronic Components

Click to view similar products for [Heavy Duty Power Connectors](#) category:

Click to view products by [TE Connectivity](#) manufacturer:

Other Similar products are found below :

[6646058-2](#) [6646137-1](#) [6646138-1](#) [6646940-1](#) [6651091-1](#) [6651525-1](#) [6651529-1](#) [696475-1](#) [702-32-01109](#) [73080255059](#) [73080965046](#)
[7310205040001](#) [765-16-0080B](#) [765-18-0080D](#) [902-77-02113](#) [PS00/A0620/6300](#) [AN0024023](#) [154-42B7WM250](#) [MS3117-14AC](#) [1643543-1](#)
[1766966-1](#) [1791340000](#) [NLDFT-3-BL-L-S120-M40A](#) [NLDFT-N-W-L-C240-M40B](#) [1926015-1](#) [NLS-3-BL-C240-M40B](#) [NLS-N-W-C240-](#)
[M40B](#) [NPS-3-BL-T6](#) [2-1589900-8](#) [9300480317](#) [294-0091-01100](#) [296-0040-01100](#) [1-6609148-0](#) [A32595-0049](#) [1766249-1](#) [19000005132](#)
[1926016-1](#) [1-966831-8](#) [AN0024202](#) [AN0264023](#) [279-0841-10100A](#) [281-0334-00100A](#) [RMSB4](#) [419-2083-301](#) [LCDX4/0-14B-X](#) [075-8519-](#)
[001](#) [078238-1613](#) [07.470.3256.0](#) [09000005288](#) [09140240311](#)