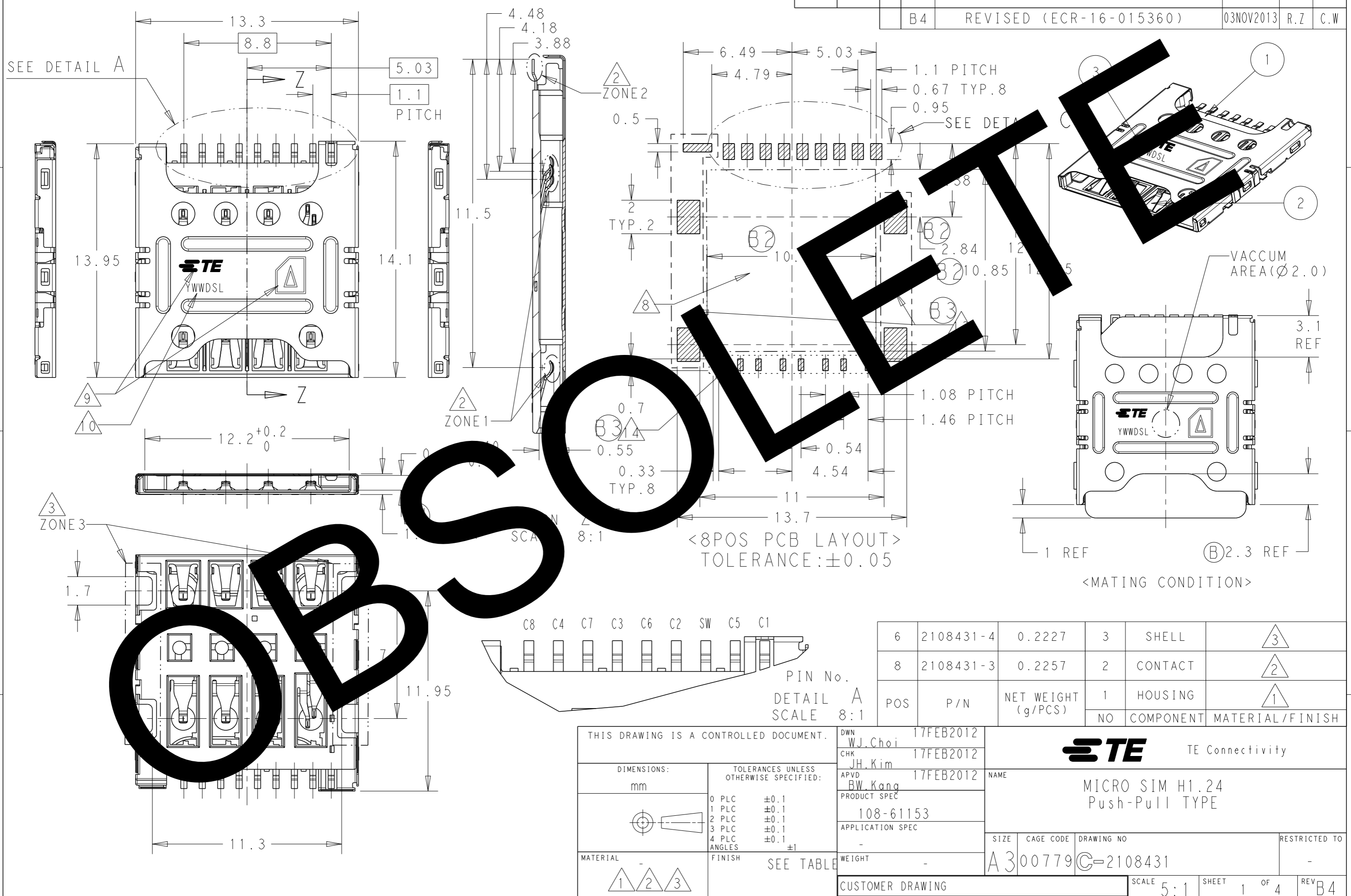


THIS DRAWING IS UNPUBLISHED. RELEASED FOR PUBLICATION 20
 © COPYRIGHT 20 BY - ALL RIGHTS RESERVED.

LOC	DIST	REVISIONS				
P	LTR	DESCRIPTION	DATE	DWN	APVD	
-	-	B4	REVISED (ECR-16-015360)	03NOV2013	R.Z	C.W



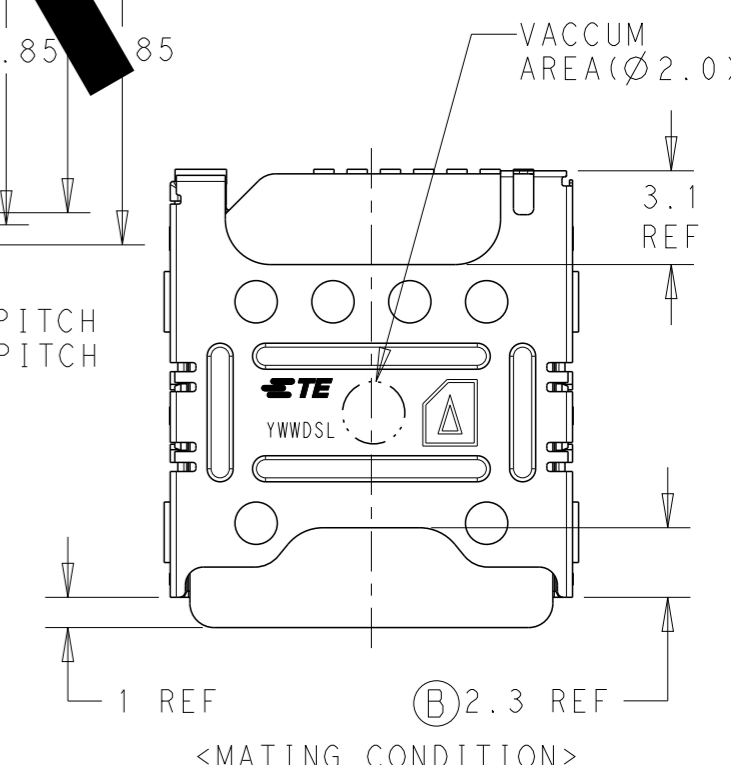
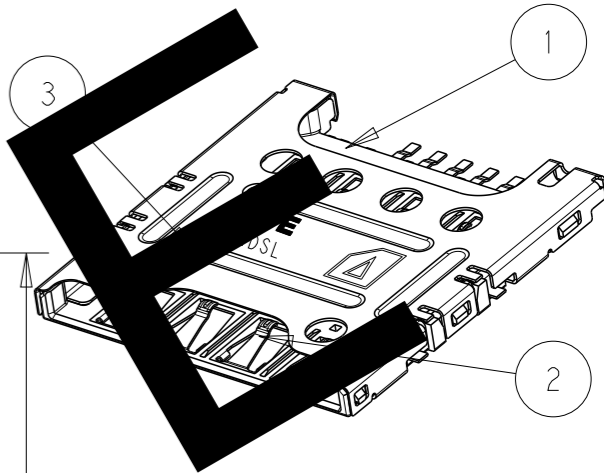
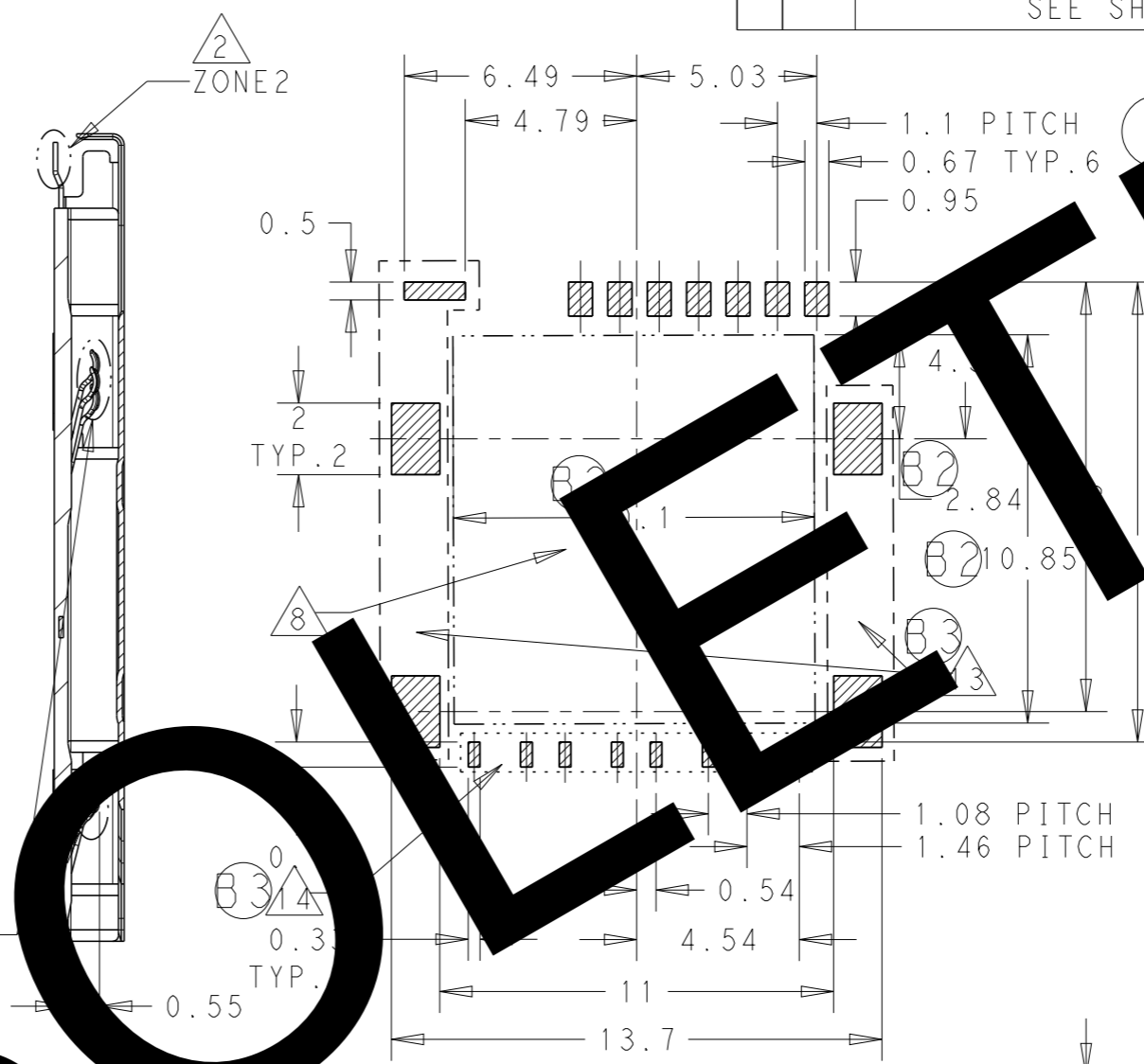
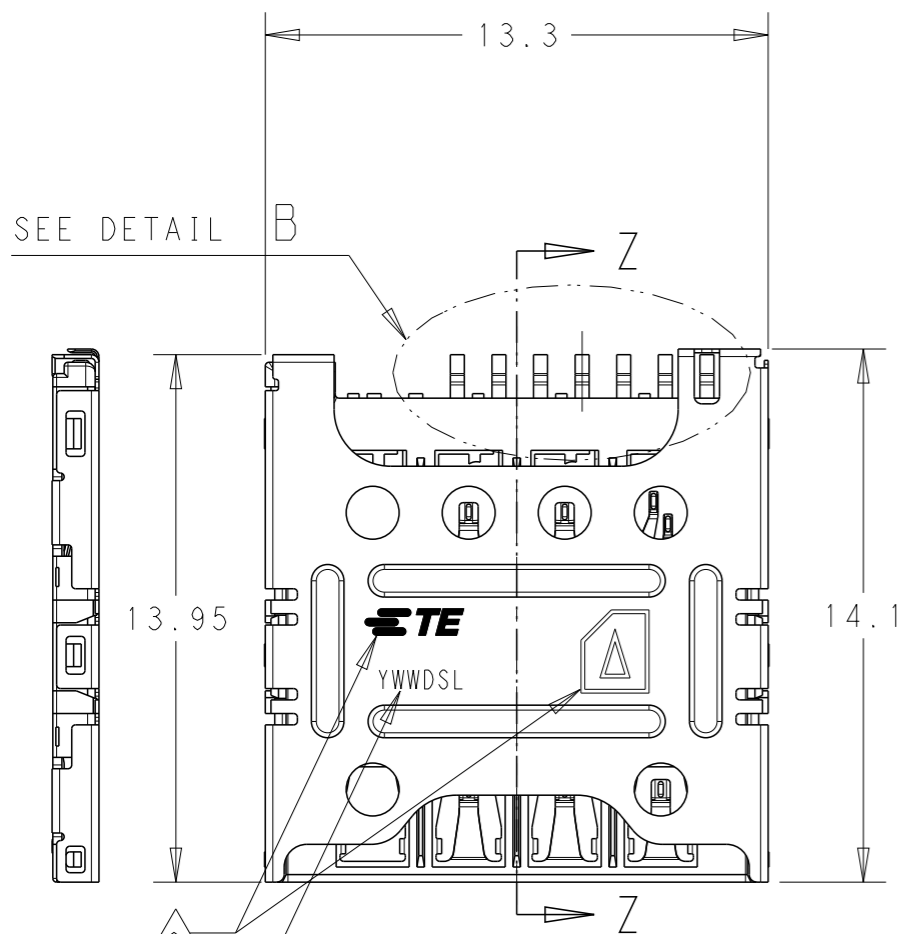
FOR SALE

POS	P/N	NET WEIGHT (g/PCS)	NO	COMPONENT	MATERIAL/FINISH
6	2108431-4	0.2227	3	SHELL	△3
8	2108431-3	0.2257	2	CONTACT	△2
1			1	HOUSING	△1

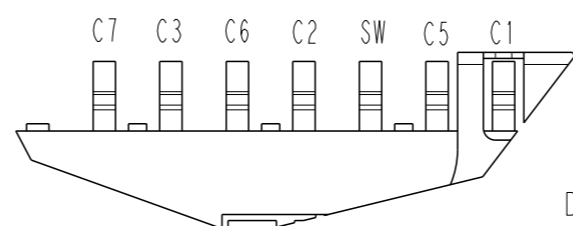
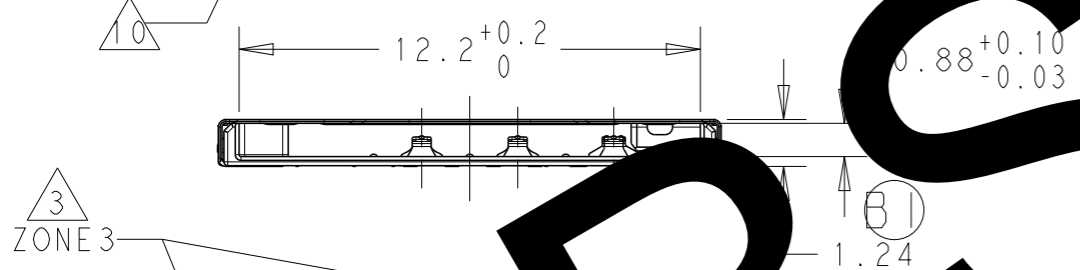
THIS DRAWING IS A CONTROLLED DOCUMENT.		DWN	17FEB2012
DIMENSIONS: mm		CHK	17FEB2012
TOLERANCES UNLESS OTHERWISE SPECIFIED:		APVD	17FEB2012
0 PLC	±0.1	PRODUCT SPEC	108-61153
1 PLC	±0.1	APPLICATION SPEC	-
2 PLC	±0.1	WEIGHT	-
3 PLC	±0.1	CUSTOMER DRAWING	
4 PLC	±0.1		
ANGLES	±1		
FINISH	SEE TABLE		

STE TE Connectivity			
NAME MICRO SIM H1.24 Push-Pull TYPE			
SIZE	CAGE CODE	DRAWING NO	RESTRICTED TO
A3	00779	C-2108431	-
SCALE 5:1		SHEET 1 OF 4	REV B4

P	LTR	DESCRIPTION	DATE	DWN	APVD
		SEE SHEET 1			



SOLE LETTER



PIN No.
DETAIL B
SCALE 8:1

NO	COMPONENT	MATERIAL/FINISH
3	SHELL	△3
2	CONTACT	△2
1	HOUSING	△1

THIS DRAWING IS A CONTROLLED DOCUMENT.

DWN	WJ.Choi	17FEB2012
CHK	JH.Kim	17FEB2012
APVD	BW.Kang	17FEB2012
PRODUCT SPEC	108-61153	
APPLICATION SPEC	-	
WEIGHT	-	
CUSTOMER DRAWING		

TE Connectivity

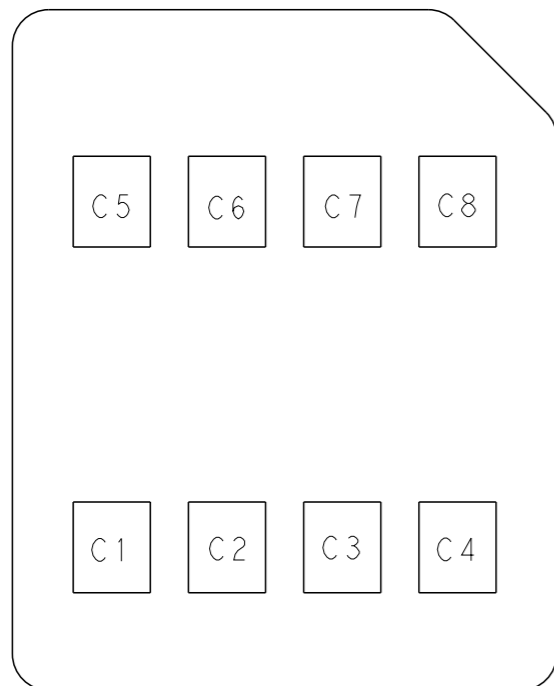
MICRO SIM 1.24
Push-Pull TYPE

SIZE	CAGE CODE	DRAWING NO	RESTRICTED TO
A3	00779	C-2108431	-

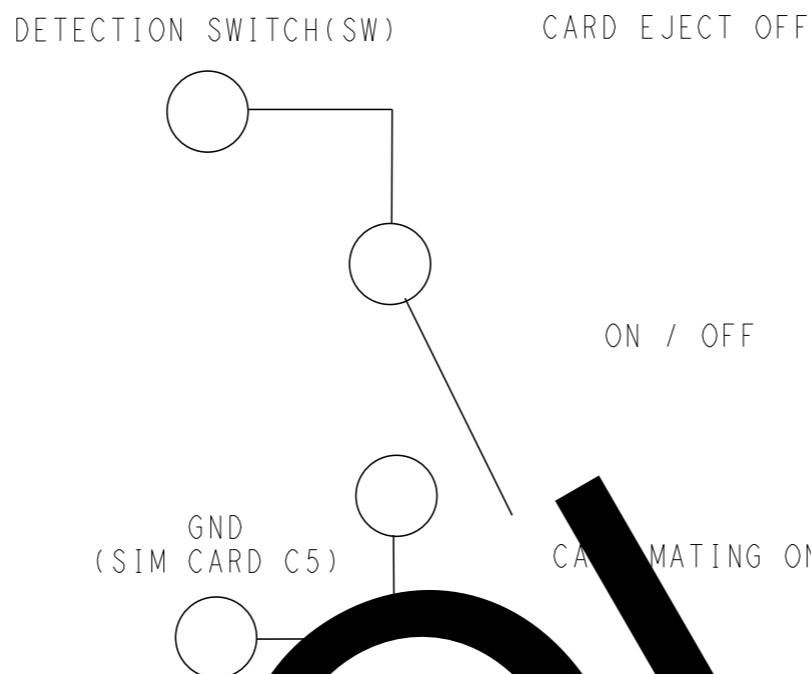
SCALE 5:1 SHEET 2 OF 4 REV B4

P	LTR	DESCRIPTION	DATE	DWN	APVD
		SEE SHEET 1			

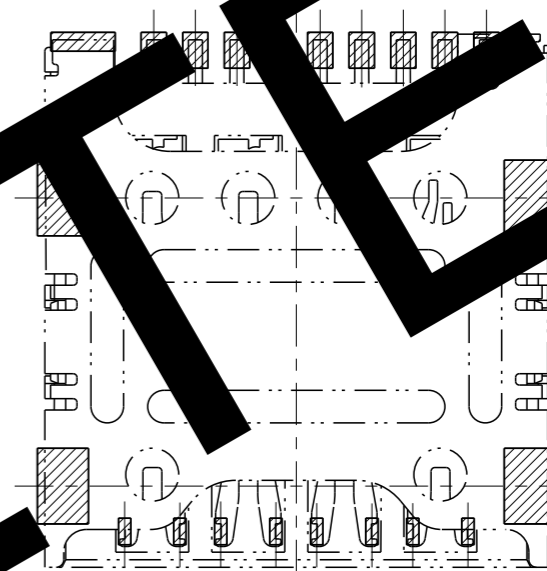
0.76±0.08



SIM CARD PAD LAYOUT



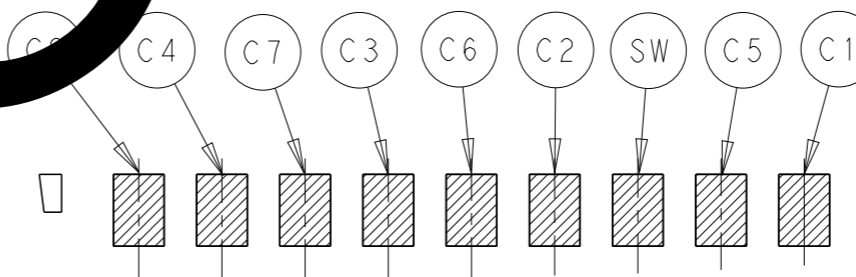
CIRCUIT DRAWING OF SWITCH



MATCH WITH PCB LAYOUT
SCALE <5:1>


PIN No.	PIN NAME
SW	DETECTION SWITCH
	RESERVED
C7	I/O
C6	PP
	D
	RESERVED
C3	CLK
C2	RST
C1	VCC

SIM CARD PIN ASSIGNMENT



PCB LAYOUT (REFERENCE)
(VIEW FROM CONNECTOR MOUNT SIDE)

DETAIL C
SCALE 10:1

THIS DRAWING IS A CONTROLLED DOCUMENT.		DWN WJ.Choi 17FEB2012	 TE Connectivity	
DIMENSIONS: mm		CHK JH.Kim 17FEB2012		
TOLERANCES UNLESS OTHERWISE SPECIFIED:		APVD BW.Kang 17FEB2012	NAME MICRO SIM 1.24 Push-Pull TYPE	
0 PLC ±0.1		PRODUCT SPEC 108-61153	SIZE A3	
1 PLC ±0.1		APPLICATION SPEC -	CAGE CODE 00779	DRAWING NO C-2108431
2 PLC ±0.1		WEIGHT -	RESTRICTED TO -	
3 PLC ±0.1		MATERIAL -	SCALE 6:1	
4 PLC ±0.1			SHEET 3 OF 4	
ANGLES ±1		CUSTOMER DRAWING		REV B4
FINISH SEE TABLE				

THIS DRAWING IS UNPUBLISHED.

RELEASED FOR PUBLICATION

20

© COPYRIGHT 20 BY -

ALL RIGHTS RESERVED.

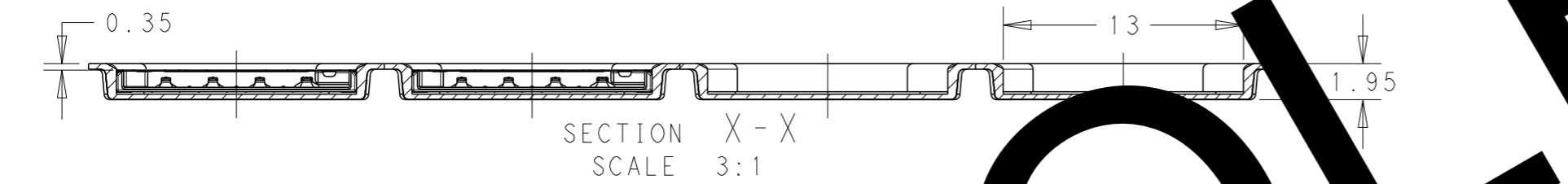
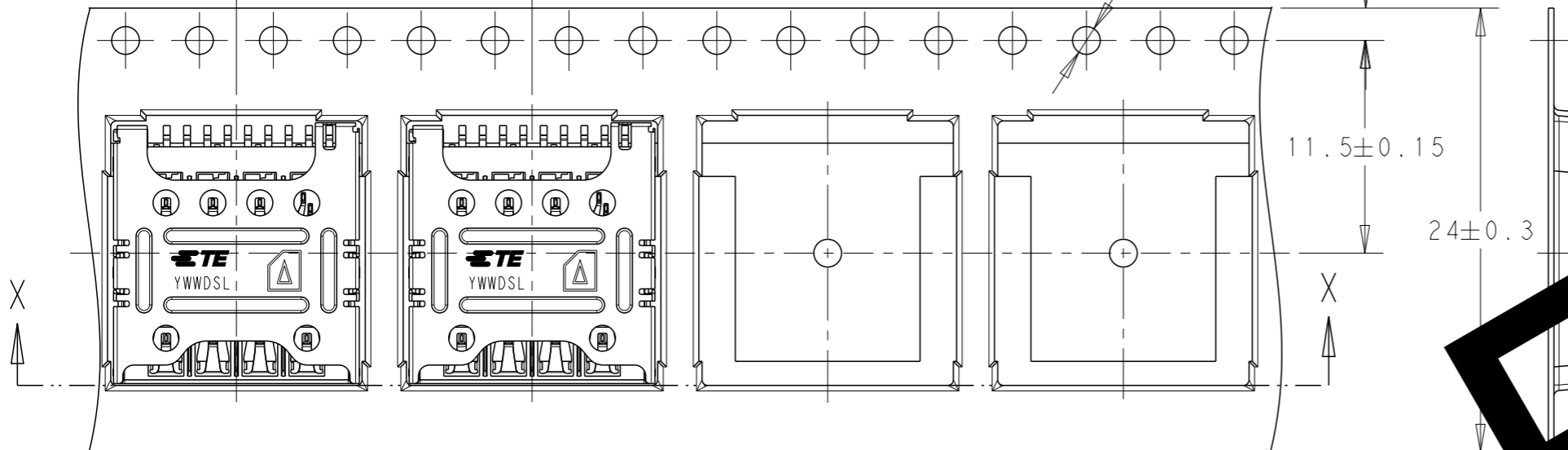
LOC	DIST
-	-

REVISIONS

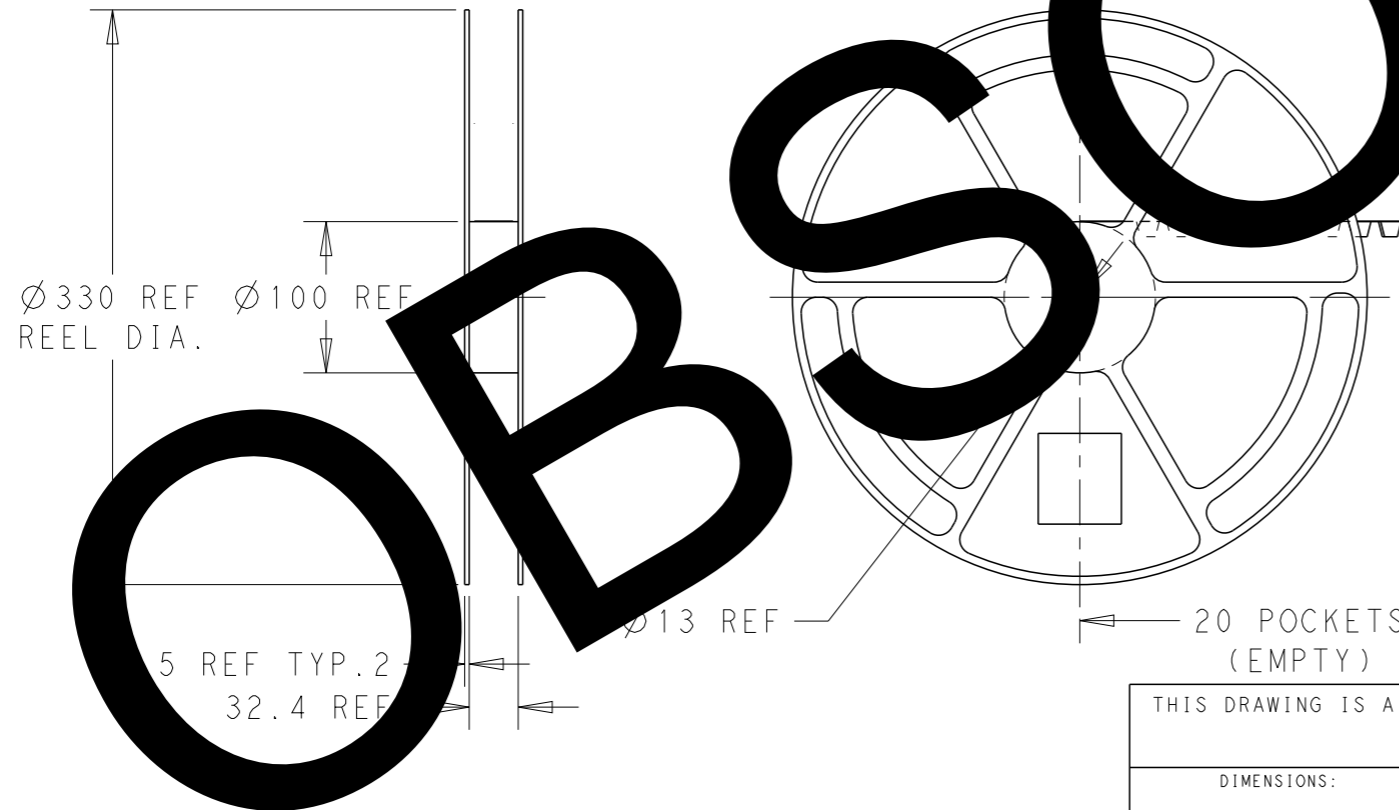
P	LTR	DESCRIPTION	DATE	DWN	APVD
		SEE SHEET 1			



1. HOUSING MATERIAL : THERMO PLASTIC RESIN.
2. CONTACT MATERIAL : COPPER ALLOY.
FINISH : 1.3um MIN. NICKEL PLATING ALL OVER,
GOLD PLATING 0.3um MIN. ZONE 1,
GOLD PLATING 0.3um MIN. ZONE 2.
3. SHELL MATERIAL : STAINLESS STEEL.
FINISH : 1.3um MIN. NICKEL UNIFORM PLATING ALL OVER,
TI PLATING 0.3um MIN. ZONE 3.
4. COPLANARITY : 0.15 MAX
5. COPLANARITY MEASURED ON 8 CONTACTS & 5 CLIP PEGS IN ONE PASS.
6. DIMENTION MEASURED FROM PLASTIC TO CENTER OF CLIP PEGS.
7. BROKEN BURR IS NOT PERMITTED.
8. NO STRIP-LINE AREA
9. TE LOGO, CARD INSERTION LOGO
10. DATE : YWDSL (YEAR, WEEK, DAY, SHIFT, LINE)
11. MUST NOT CONTAIN ANY SUBSTANCE WHICH ARE SPECIFIED IN (OGA-2049)
12. PACKING QUANTITY : 2000PCS/REEL
13. GROUND PATTERN
14. THIS PATTERN IS NOT GROUND. IT IS ONLY FLOTING PATTERN.



400mm REF
FEEDING THE COVER TAPE.



WITH PRODUCT CHARGE
2000EA/1REEL

20 POCKETS (EMPTY)

THIS DRAWING IS A CONTROLLED DOCUMENT.		DWN WJ.Choi 17FEB2012	TE Connectivity MICRO SIM H1.24 Push-Pull TYPE	
DIMENSIONS: mm		CHK JH.Kim 17FEB2012		
TOLERANCES UNLESS OTHERWISE SPECIFIED:		APVD BW.Kang 17FEB2012	NAME	
0 PLC ±0.2 1 PLC ±0.2 2 PLC ±0.2 3 PLC ±0.2 4 PLC ±0.2 ANGLES ±1		PRODUCT SPEC 108-61153	SIZE	
MATERIAL		APPLICATION SPEC	CAGE CODE	DRAWING NO
FINISH SEE TABLE		WEIGHT	A300779	C=2108431
CUSTOMER DRAWING		SCALE	SHEET	OF
		5:1	4	4
		REV	B4	

X-ON Electronics

Largest Supplier of Electrical and Electronic Components

Click to view similar products for [Memory Card Connectors](#) category:

Click to view products by [TE Connectivity](#) manufacturer:

Other Similar products are found below :

[M21-033321-005](#) [6426-201-21343](#) [69.920.0553.0](#) [MCR60A-98D-2.54DSA\(70\)](#) [FCN-568P068-G/07-4V](#) [809180410000000](#) [95622-003LF](#)
[DM3AT-SF-PEJM5\(41\)](#) [EN2997S72039F6](#) [N7E50-7516PG-20-WF](#) [IC11S-BUR-PNEJL\(71\)](#) [NX30TA-15PAA\(50\)](#) [NX60TA-25SAA9-](#)
[SP\(50\)](#) [21920-5](#) [2041353-2](#) [FUA006-3220-0](#) [33CFAE-DN](#) [MI21A-50PD-SF-EJR\(91\)](#) [502431-1011](#) [5175651-2](#) [10-247926-166](#)
[EN2997S02039B8](#) [EN2997S61212BN](#) [EN2997S72039B6](#) [EN2997SE02039B8](#) [EN2997SE61212BN](#) [EN2997SE72039B6](#) [NX1-32T-](#)
[KT3K\(05\)](#) [95622-003LF](#) [91-570124-15P](#) [192900-0488](#) [DM1AA-SF-PEJ](#) [95079-00CALF](#) [84648-056HLF](#) [68-580163-21S](#) [33DVIR-29S12R](#)
[SF58S006VBBR2000](#) [93-570123-08P](#) [GMC020080HR](#) [125A-78C00](#) [1010040575#](#) [MI20A-50PD-SF-EJL\(71\)](#) [KP10S-SF-PEJ\(812\)](#)
[DM1AA-SF-PEJ\(31\)](#) [FO-10GGBLCX20-002](#) [504536-0691](#) [115S-ACA2](#) [115S-ACA3](#) [115S-BS00](#) [115S-BT00](#)