

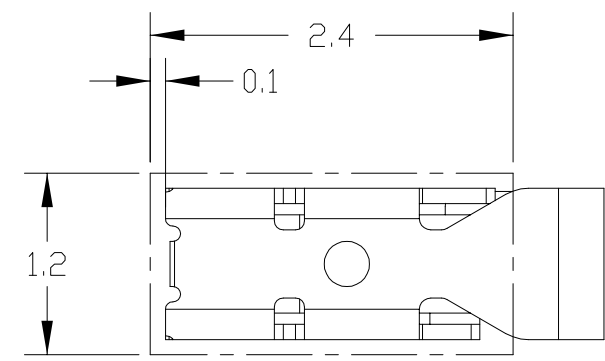
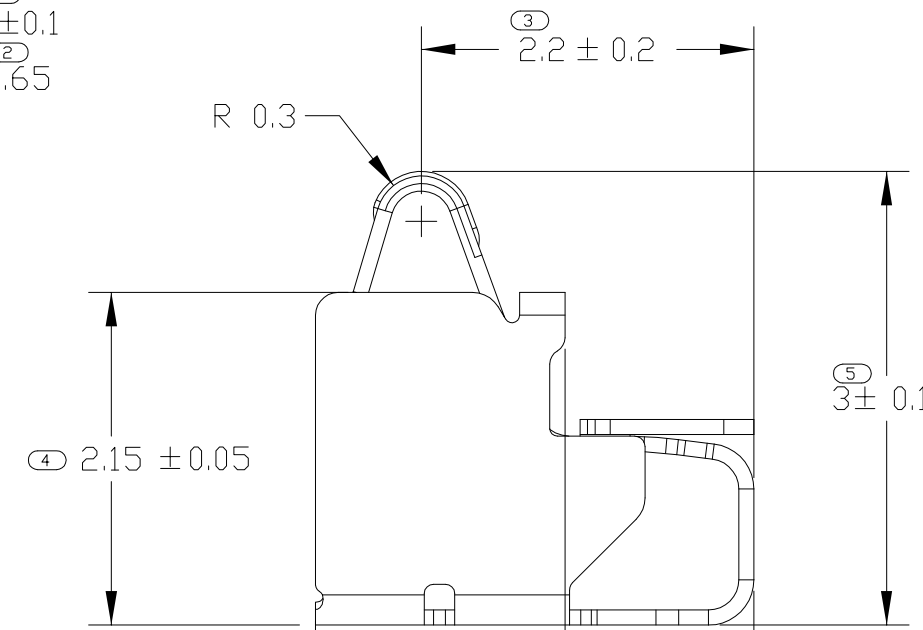
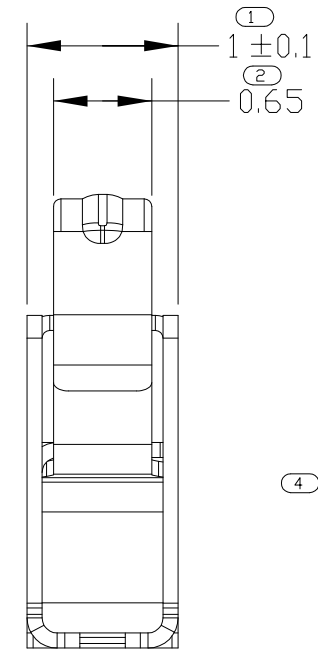
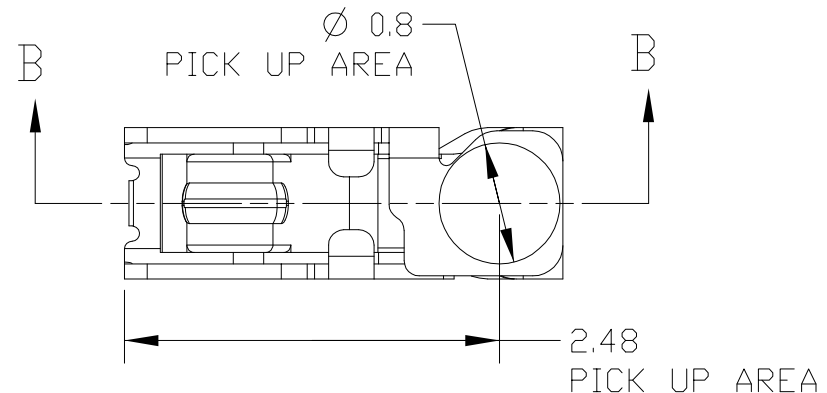
LOC	DIST	REVISIONS					
		P	LTR	DESCRIPTION	DATE	DWN	APVD
-	-		B	REVISED	05JUNE2013	IC.K	JH.K
			C	REVISED	10JUNE2013	IC.K	JH.K
			C1	REVISED	25FEB2014	IC.K	JH.K
			C2	REVISED	06FEB2015	IC.K	JH.K

D

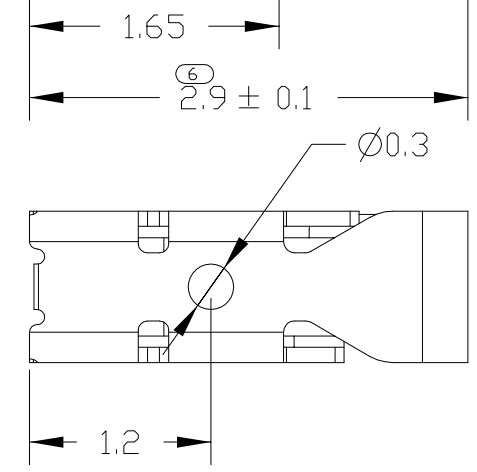
C

B

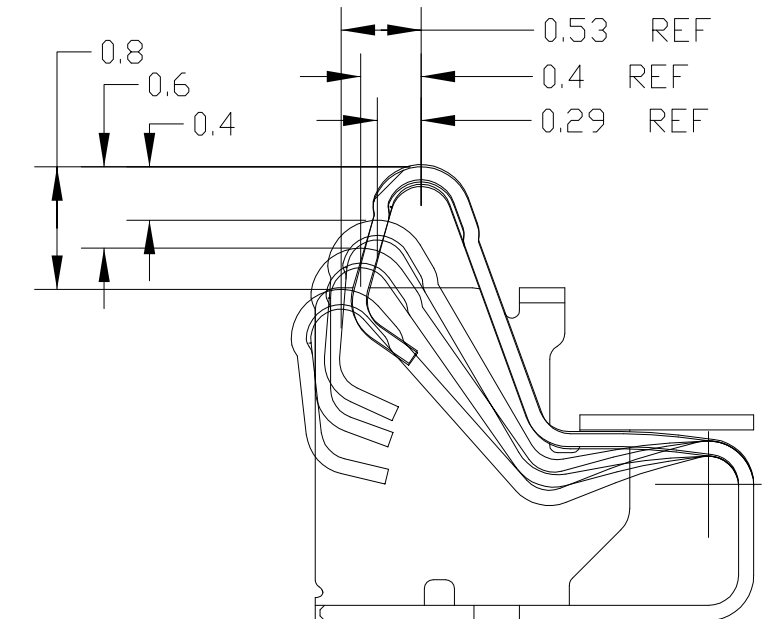
A



RECOMENDED PCB LAYOUT (REFERENCE)



AS SHOWN
 ① 2108609-5/6
 ② 2-2108609-6



SECTION B-B
 STROKE CONDITION(REFERENCE)

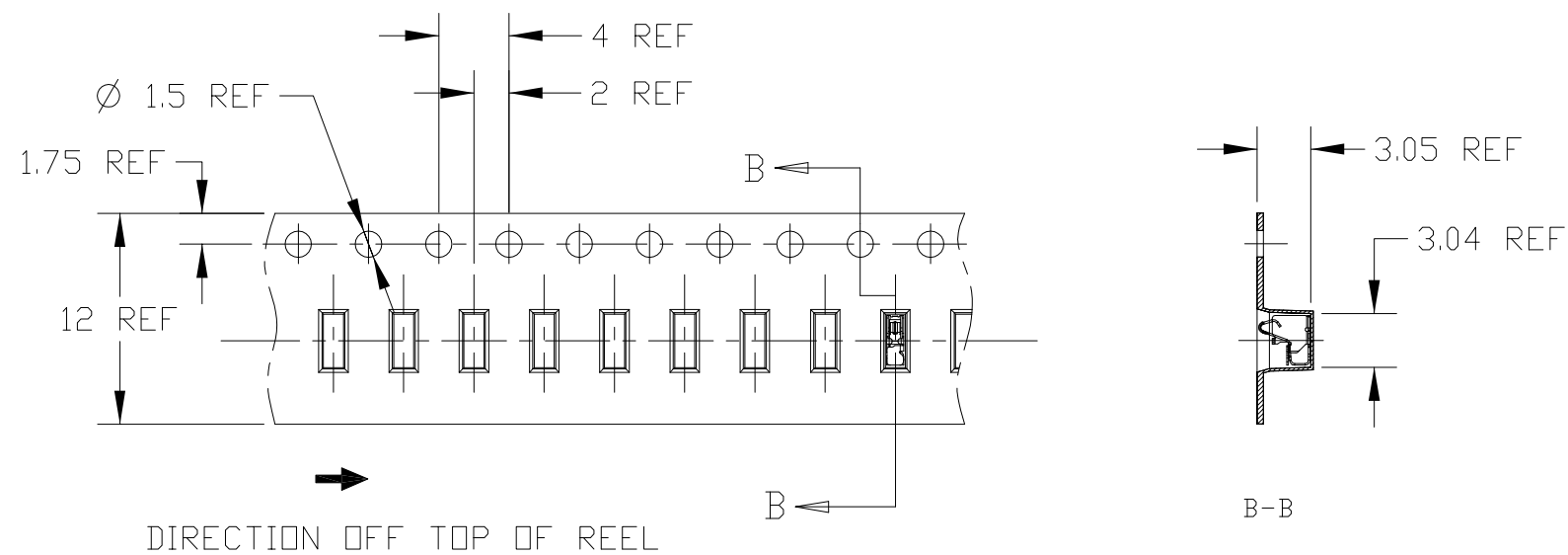
- ① MATERIAL: TICU(COPPER ALLOY), THK.= 0.1
- ② FINISH: Ni UNDER PLATING ALL OVER 0.8~3.0um
 CONTACT PLATING: Au 0.1~0.4um
 SOLDER PLATING: Au 0.05~0.35um
- ③ CUTTING BURR: 0.05mm MAX.
- ④ F/G SHOULD BE SEPARATED BASED ON THE CUSTOMER'S PART NUMBER AS BELOW TABLE

NO	PART NUMBER	CUSTOMER PART NUMBER	PRODUCT SPEC
1	2108609-5	MBV62562101	108-61190
2	2108609-6	EAG63651901	
② 3	2-2108609-6	-	108-61255

THIS DRAWING IS A CONTROLLED DOCUMENT.		DWN IC KANG 09APR2013		
DIMENSIONS: mm		CHK JH KIM 09APR2013		
TOLERANCES UNLESS OTHERWISE SPECIFIED: ± 0.15		APVD JH KIM 09APR2013	NAME	
0-PLC ± 1-PLC ±0.5 2-PLC ±0.13 3-PLC ±0.013 4-PLC ±0.0001 ANGLES ±		PRODUCT SPEC SEE TABLE ④	SPRING FINGER 3.0H	
MATERIAL ①		APPLICATION SPEC	SIZE	RESTRICTED TO
FINISH ②		WEIGHT	CAGE CODE	
		CUSTOMER DRAWING	DRAWING NO	
		SCALE 20:1	300779	
			③-2108609	
			SHEET 1 OF 3	REV C2

LOC		DIST		REVISIONS		
P	LTR	DESCRIPTION	DATE	DWN	APVD	
-	-	SEE SHEET 1				

① 4 <2108609-5 : FOR MBV62562101>

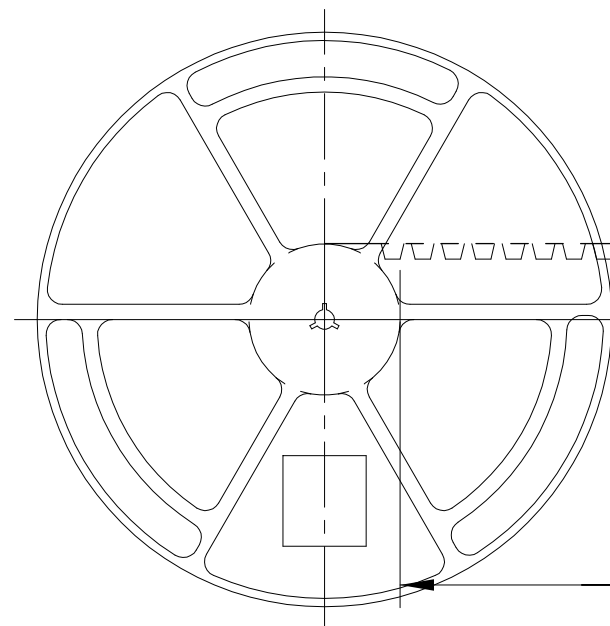
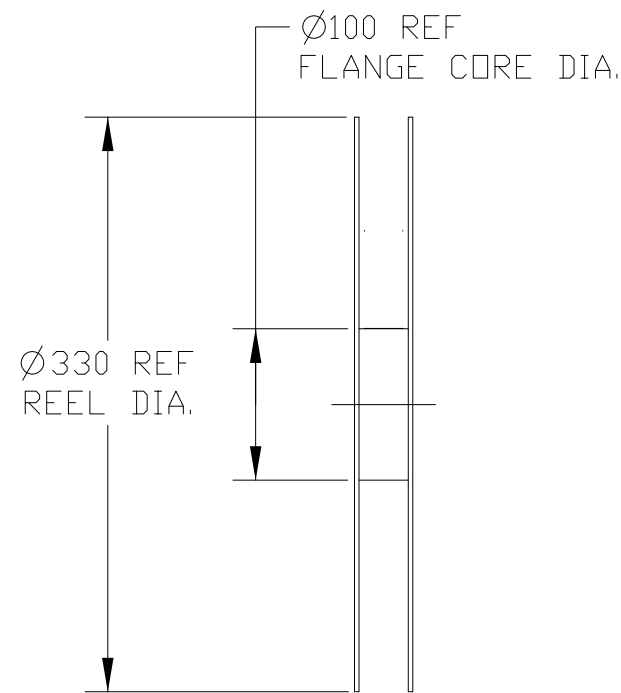


①

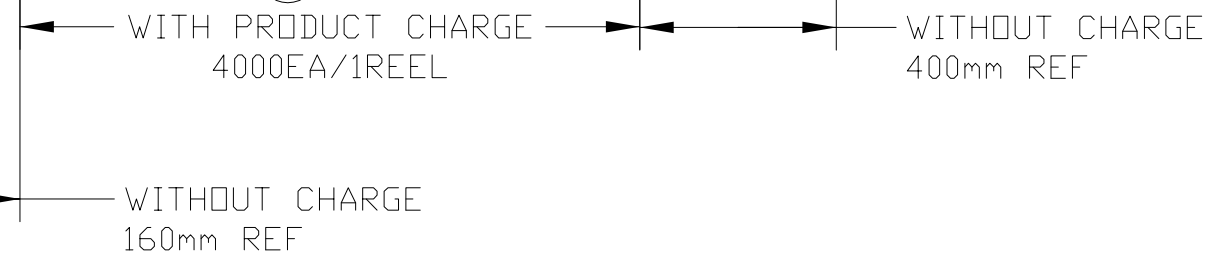
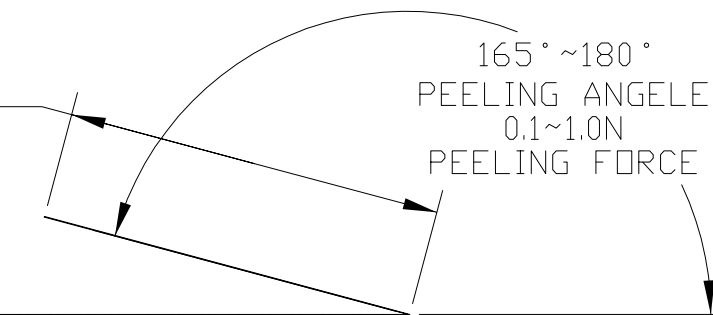
TE
 MBV62562101-YYYYMMDD-*****-HK000120
 SPEC: 3.0H SPRING FINGER WITH EMBOSS
 Company Name: TE CONNECTIVITY
 Tyco Part Number :2108609-5

RoHS H/F

- 1. LG PART NO.
- 2. FINAL INSPECTION(YYYMMDD)
- 3. VENDOR PRODUCTION LOT NO.
- 4. VENDOR CODE



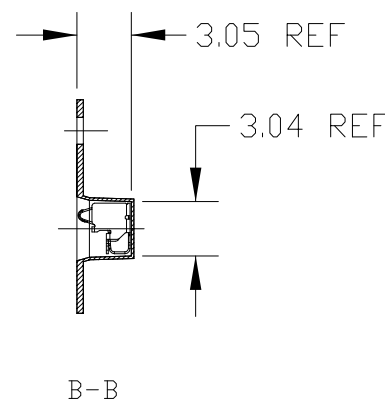
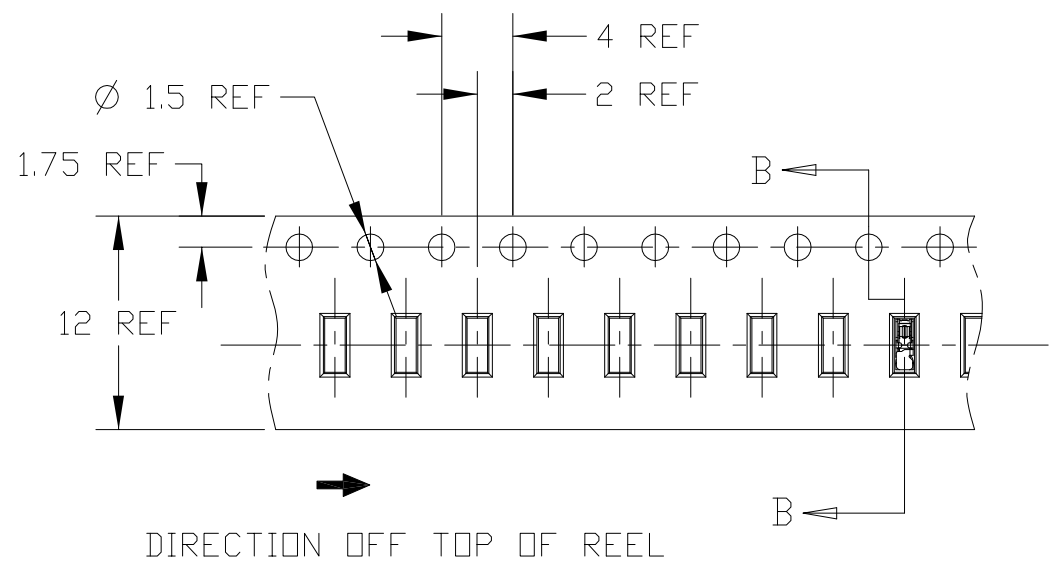
WEEDING THE COVER TAPE, AROUND THE OUTER PERIPHERY IN A TURN



THIS DRAWING IS A CONTROLLED DOCUMENT.		DWN	JH GONG	08FEB2013	 TE Connectivity	
DIMENSIONS: mm		CHK	JH KIM	08FEB2013		
TOLERANCES UNLESS OTHERWISE SPECIFIED: ±0.15		APVD	JH KIM	08FEB2013		
0-PLC ± 1-PLC ±0.5 2-PLC ±0.13 3-PLC ±0.013 4-PLC ±0.0001 ANGLES ± FINISH -		PRODUCT SPEC	108-XXXXX			
MATERIAL -		APPLICATION SPEC	-		NAME	SPRING FINGER 3.0H
		WEIGHT	-		SIZE	A3
		CUSTOMER DRAWING	-		CAGE CODE	00779
			-		DRAWING NO	©=2108609
			-		RESTRICTED TO	-
			-		SCALE	20:1
			-		SHEET	2 OF 3
			-		REV	C2

P	LTR	DESCRIPTION	DATE	DWN	APVD
		SEE SHEET 1			

① 4 <2108609-6 : FOR EAG63651901>



①

TE

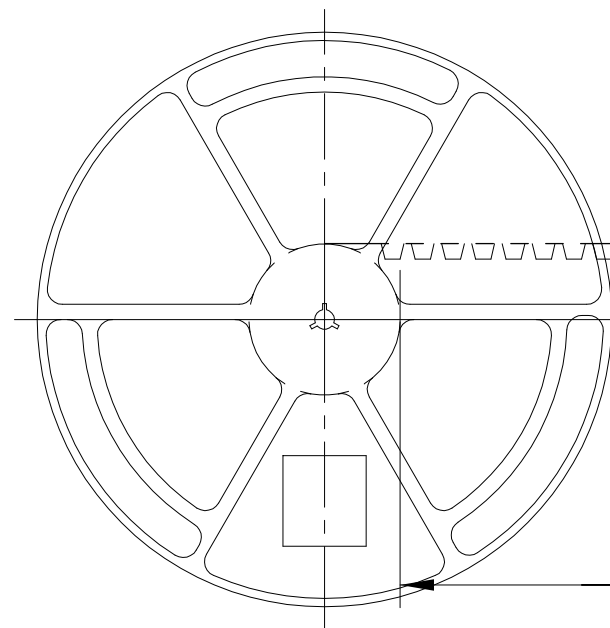
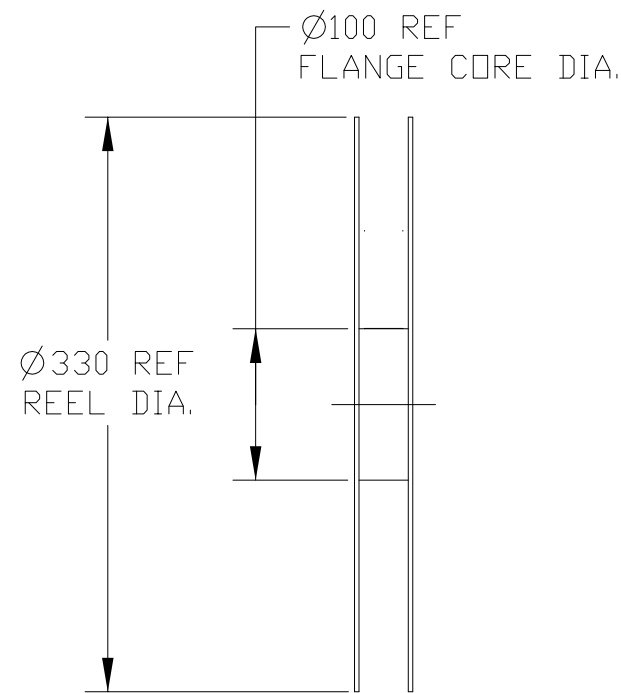
EAG63651901-YYYYMMDD-*****-HK000120

SPEC: 3.0H SPRING FINGER WITH EMBOSS

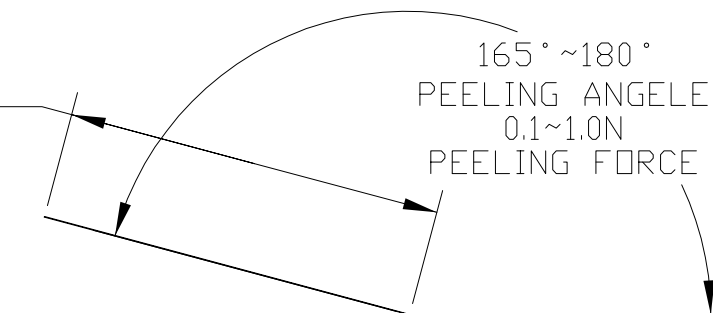
Company Name: TE CONNECTIVITY
Tyco Part Number : 2108609-5

RoHS
H/F

- 1. LG PART NO. 2. FINAL INSPECTION(YYYMMDD)
- 3. VENDOR PRODUCTION LOT NO. 4. VENDOR CODE



WEEDING THE COVER TAPE,
AROUND THE OUTER
PERIPHERY IN
A TURN



WITH PRODUCT CHARGE
4000EA/1REEL

WITHOUT CHARGE
400mm REF

WITHOUT CHARGE
160mm REF

13.4
19.4
REEL WIDTH

THIS DRAWING IS A CONTROLLED DOCUMENT.		DWN JH GONG 08FEB2013		TE Connectivity	
DIMENSIONS: mm		CHK JH KIM 08FEB2013			
		APVD JH KIM 08FEB2013			
		NAME			
TOLERANCES UNLESS OTHERWISE SPECIFIED: ±0.15		PRODUCT SPEC		SPRING FINGER 3.0H	
0-PLC ±		APPLICATION SPEC		SIZE	RESTRICTED TO
1-PLC ±0.5		108-XXXXX		CAGE CODE	DRAWING NO
2-PLC ±0.13		-		A300779	
3-PLC ±0.013		WEIGHT		SCALE	
4-PLC ±0.0001		-		20:1	
ANGLES ±		CUSTOMER DRAWING		SHEET 3 OF 3	
FINISH		-		REV C2	

X-ON Electronics

Largest Supplier of Electrical and Electronic Components

Click to view similar products for [EMI Gaskets, Sheets, Absorbers & Shielding](#) category:

Click to view products by [TE Connectivity](#) manufacturer:

Other Similar products are found below :

[8101010140](#) [8563-0090-89](#) [1194-7.7X10](#) [1245-34"X18YD](#) [1267](#) [1345-3/8x18yrd](#) [1380-2"X8"](#) [1554907-1](#) [2320002000](#) [2320014700](#)
[SG293037DS](#) [ST005PCN50](#) [55005107](#) [38M4040AA0606](#) [46J5N02020.NN00](#) [1125-8X10](#) [1126X1"](#) [1170-3/4X18YDS](#) [1170-7.7x10](#) [1183-](#)
[12"X18YD](#) [6-34T-BD-0.315](#) [SG125187D-24](#) [SG125250R-24](#) [SG187375R-24](#) [SG284050DS](#) [8402010540](#) [KIT TECH CLIP](#) [1194](#) [10-40450-](#)
[28S](#) [1245](#) [1267-1/2"x18yd](#) [46J8501020.NN00](#) [1170-1/4"x18yd](#) [AL-36FR-1x54.5](#) [3013310A](#) [1194X1"](#) [3020604](#) [3021302](#) [3031313](#) [260709](#)
[3021310](#) [6-34UT-070-BD-16](#) [303076048](#) [46J5N03020.NN00](#) [30206025](#) [30395641](#) [3030403](#) [3690103020](#) [HNY-LT15CU4241](#) [1170-](#)
[3/8"x18yd](#)