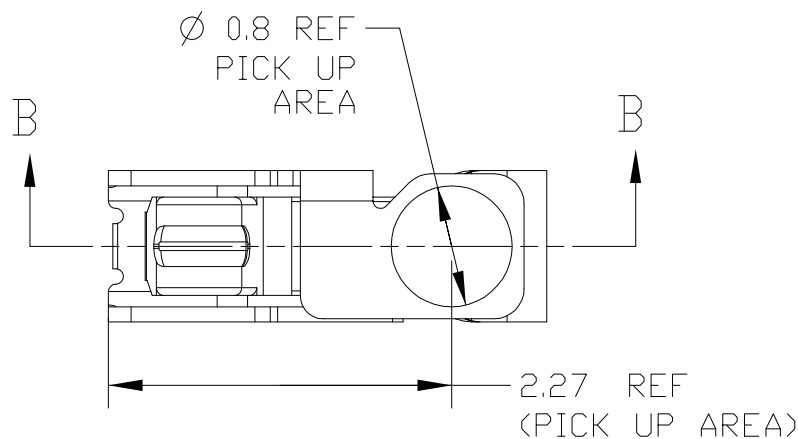
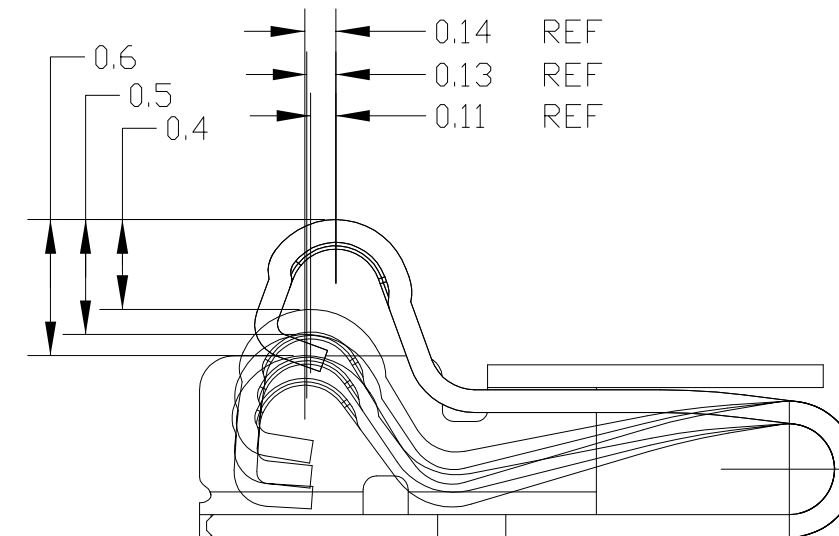


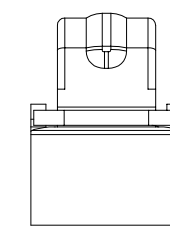
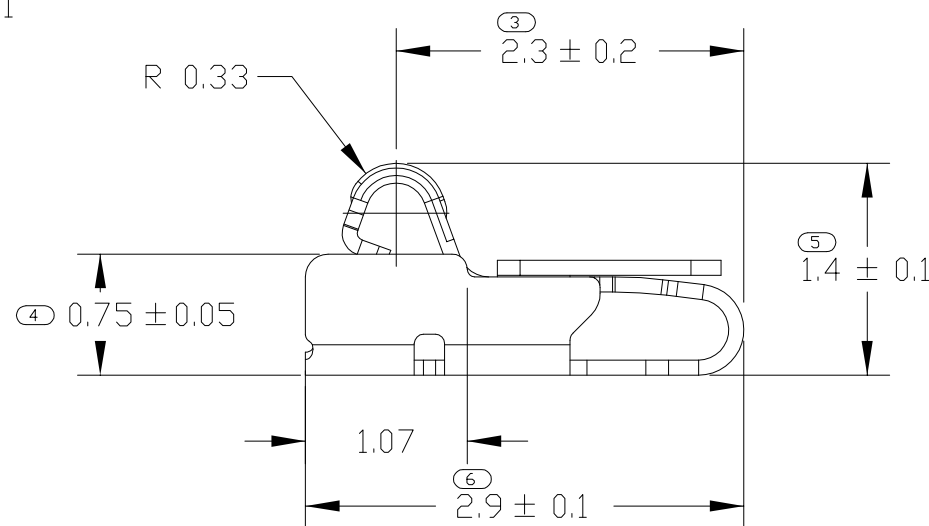
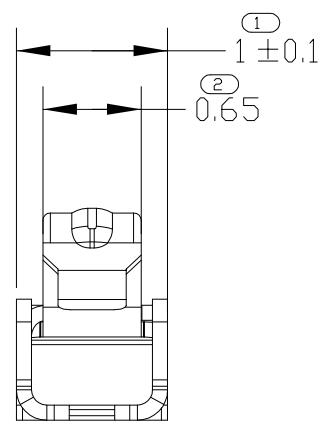
P	LTR	DESCRIPTION	DATE	DWN	APVD
	B	REVISED	05JUNE2013	IC.K	JH.K
	C	REVISED	10JUNE2013	IC.K	JH.K
	C1	REVISED	25FEB2014	IC.K	JH.K
	C2	REVISED	05FEB2015	IC.K	JH.K



AS SHOWN
 (1) 2108610-5/6
 (2) 2-2108610-6

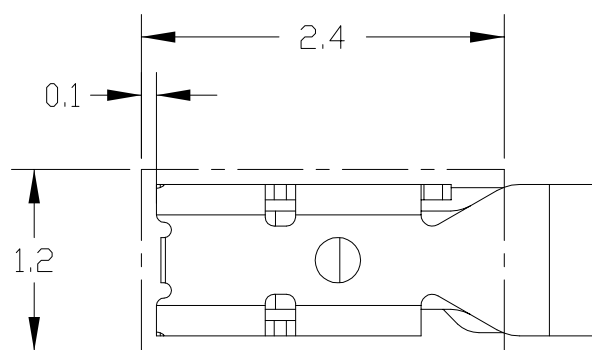


STROKE CONDITION (REFERENCE)
SECTION B-B

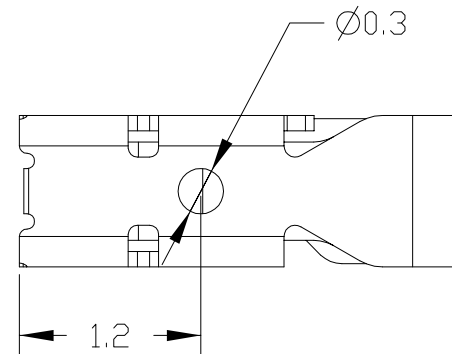


- (1) MATERIAL: COPPER ALLOY, THK.=0.1mm
- (2) FINISH: NI UNDER PLATING ALL OVER 0.8~3.0um.
CONTACT PLATING: Au 0.1~0.4um
SOLDER PLATING: Au FLASH 0.05~0.35um
- 3. CUTTING BURR: 0.05mm MAX.
- (1) (4) F/G SHOULD BE SEPARATED BASED ON THE CUSTOMER'S PART NUMBER AS BELOW TABLE

NO	PART NUMBER	CUSTOMER PART NUMBER	PRODUCT SPEC
1	2108610-5	MBV62562001	108-61185
2	2108610-6	EAG63652301	108-61250
(2) 3	2-2108610-6	-	108-61250



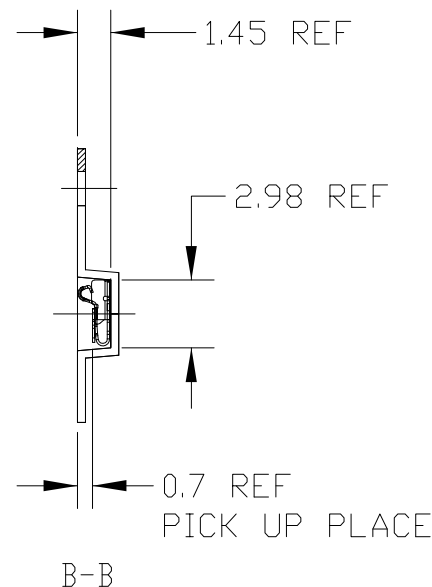
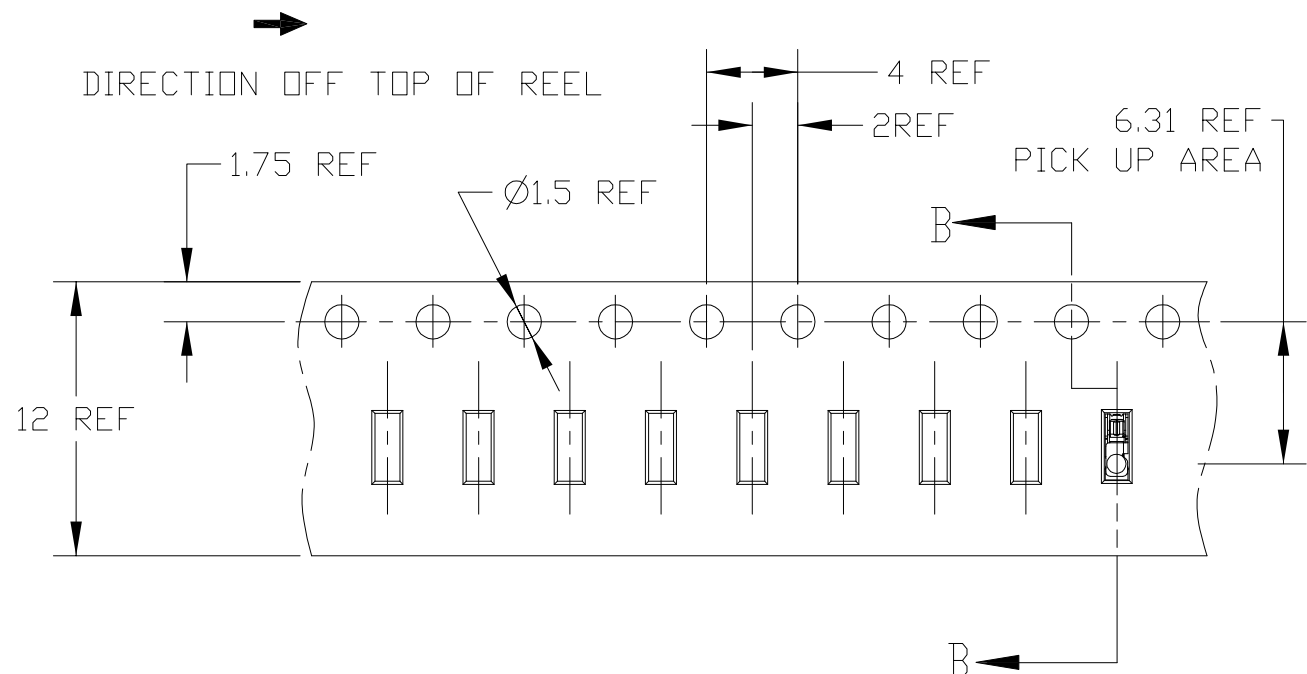
RECOMENDED PCB LAYOUT (REFERENCE)



THIS DRAWING IS A CONTROLLED DOCUMENT.		DWN JH GONG 08FEB2013						
DIMENSIONS: mm		CHK JH KIM 08FEB2013			NAME			
TOLERANCES UNLESS OTHERWISE SPECIFIED: ±0.15		APVD JH KIM 08FEB2013			PRODUCT SPEC			
0-PLC ± 1-PLC ±0.5 2-PLC ±0.13 3-PLC ±0.013 4-PLC ±0.0001 ANGLES ±		PRODUCT SPEC SEE TABLE 4	APPLICATION SPEC	SIZE	CAGE CODE	DRAWING NO	RESTRICTED TO	
MATERIAL		FINISH	WEIGHT	A3	00779	C=C_2108610	-	
CUSTOMER DRAWING			SCALE	20:1	SHEET	1 OF 3	REV	C2

P	LTR	DESCRIPTION	DATE	DWN	APVD
		SEE SHEET 1			

①④ <2108610-5 : MBV62562001>



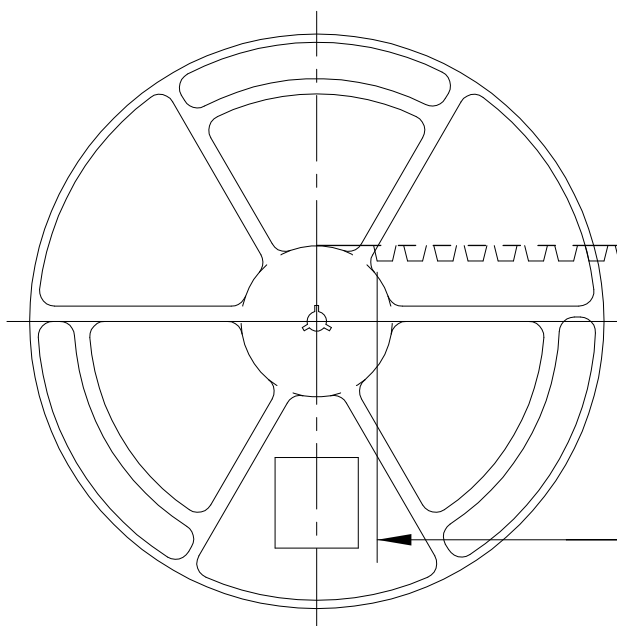
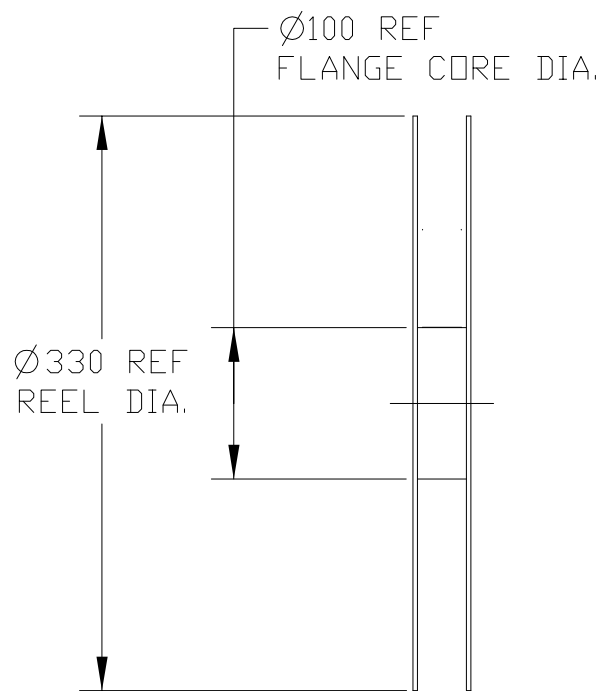
①

MBV62562001-YYYYMMDD-*****-HK000120
 SPEC: 1.4H SPRING FINGER WITH EMBOSS
 Company Name: TE CONNECTIVITY
 Tyco Part Number :2108610-5

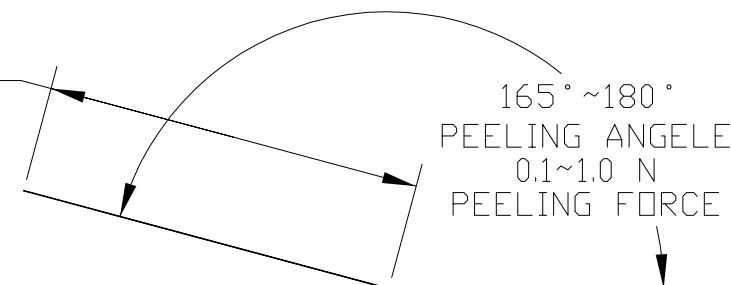
RoHS H/F

100 (width)
70 (height)

- 1. LG PART NO.
- 2. FINAL INSPECTION(YYYMMDD)
- 3. VENDOR PRODUCTION LOT NO.
- 4. VENDOR CODE



WEEDING THE COVER TAPE, AROUND THE OUTER PERIPHERY IN A TURN.



WITH PRODUCT CHARGE 9000EA/1REEL

WITHOUT CHARGE 400mm REF.

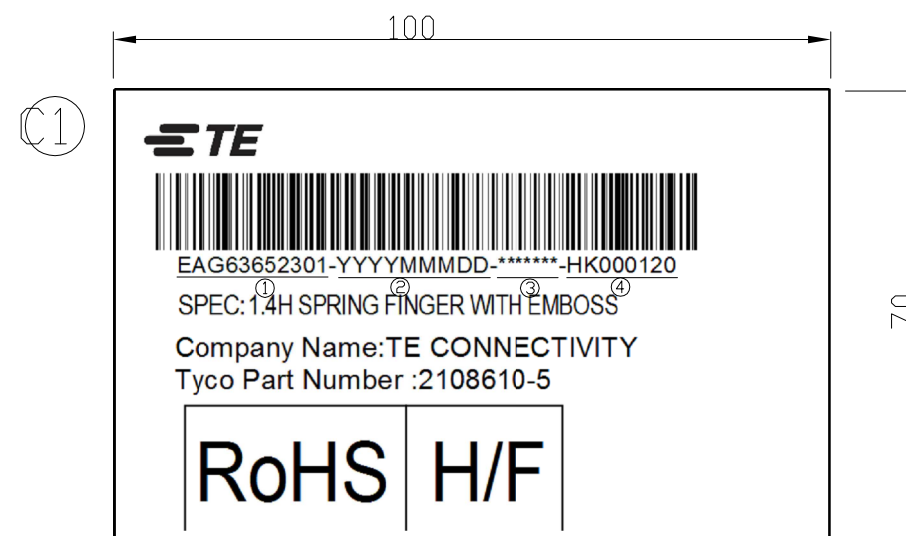
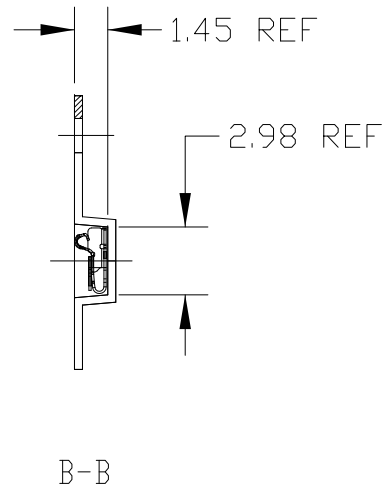
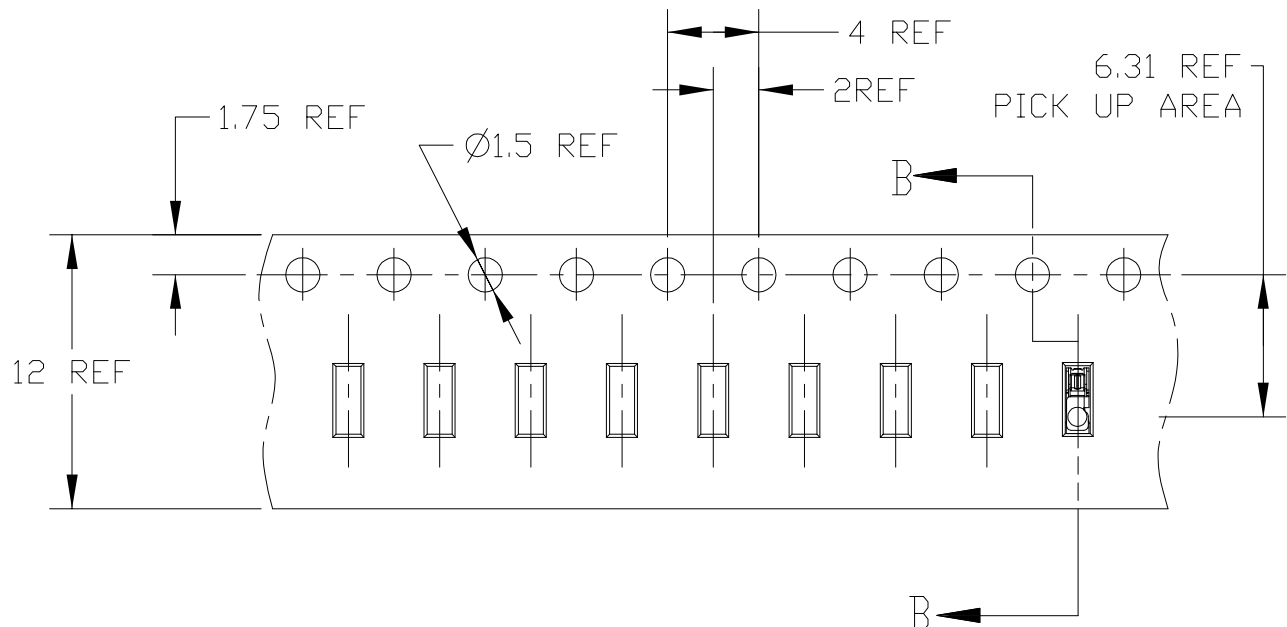
160mm REF WITHOUT CHARGE

THIS DRAWING IS A CONTROLLED DOCUMENT.		DWN JH GONG 08FEB2013	TE Connectivity	
DIMENSIONS: mm		CHK JH KIM 08FEB2013		
TOLERANCES UNLESS OTHERWISE SPECIFIED:		APVD JH KIM 08FEB2013	NAME	
0 PLC ±	1 PLC ±0.5	PRODUCT SPEC	SPRING FINGER 1.4H	
2 PLC ±0.13	3 PLC ±0.013	APPLICATION SPEC	SIZE	CAGE CODE
4 PLC ±0.0001	ANGLES ±	108-XXXXX	A3	00779
MATERIAL -	FINISH -	WEIGHT -	DRAWING NO C=C_2108610	
CUSTOMER DRAWING			RESTRICTED TO	
SCALE 20:1			SHEET 2 OF 3	REV C2

P	LTR	DESCRIPTION	DATE	DWN	APVD
		SEE SHEET 1			

①④ <2108610-6 : EAG63652301>

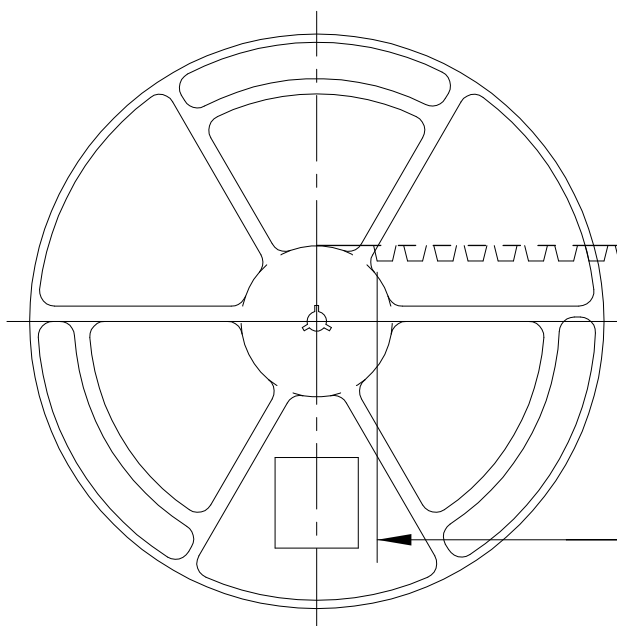
DIRECTION OFF TOP OF REEL



- 1. LG PART NO.
- 2. FINAL INSPECTION(YYYMMDD)
- 3. VENDOR PRODUCTION LOT NO.
- 4. VENDOR CODE

Ø100 REF FLANGE CORE DIA.

Ø330 REF REEL DIA.



WEEDING THE COVER TAPE, AROUND THE OUTER PERIPHERY IN A TURN.

165°~180° PEELING ANGLE
0.1~1.0 N PEELING FORCE

WITH PRODUCT CHARGE
9000EA/1REEL

WITHOUT CHARGE
400mm REF.

160mm REF
WITHOUT CHARGE

13.4 REF
19.4 REF
REEL WIDTH

THIS DRAWING IS A CONTROLLED DOCUMENT.		DWN JH GONG 08FEB2013	TE Connectivity	
DIMENSIONS: mm		CHK JH KIM 08FEB2013		
TOLERANCES UNLESS OTHERWISE SPECIFIED:		APVD JH KIM 08FEB2013	NAME SPRING FINGER 1.4H	
0 PLC ±		PRODUCT SPEC 108-XXXXX	SIZE A3	
1 PLC ±0.5		APPLICATION SPEC	CAGE CODE 00779	DRAWING NO C=C_2108610
2 PLC ±0.13		WEIGHT	RESTRICTED TO	
3 PLC ±0.013		CUSTOMER DRAWING	SCALE 20:1	
4 PLC ±0.0001			SHEET 3 OF 3	
ANGLES ±			REV C2	
FINISH				

X-ON Electronics

Largest Supplier of Electrical and Electronic Components

Click to view similar products for [EMI Gaskets, Sheets, Absorbers & Shielding](#) category:

Click to view products by [TE Connectivity](#) manufacturer:

Other Similar products are found below :

[8101010140](#) [8563-0090-89](#) [1194-7.7X10](#) [1245-34"X18YD](#) [1267](#) [1345-3/8x18yrd](#) [1554907-1](#) [2320002000](#) [2320014700](#) [SG293037DS](#)
[ST005PCN50](#) [55005107](#) [38M4040AA0606](#) [46J5N02020.NN00](#) [1125-8X10](#) [1126X1"](#) [1170-3/4X18YDS](#) [1170-7.7x10](#) [1183-12"X18YD](#) [6-](#)
[34T-BD-0.315](#) [SG125187D-24](#) [SG125250R-24](#) [SG187375R-24](#) [SG284050DS](#) [8402010540](#) [KIT TECH CLIP](#) [1194](#) [10-40450-28S](#) [1245](#)
[1267-1/2"x18yd](#) [46J8501020.NN00](#) [1170-1/4"x18yd](#) [AL-36FR-1x54.5](#) [3013310A](#) [1194X1"](#) [3020604](#) [3021302](#) [3031313](#) [260709](#) [3021310](#) [6-](#)
[34UT-070-BD-16](#) [303076048](#) [46J5N03020.NN00](#) [30206025](#) [30395641](#) [3030403](#) [3690103020](#) [HNY-LT15CU4241](#) [46X7503020.NN00](#)
[46W5E02520.NN00](#)