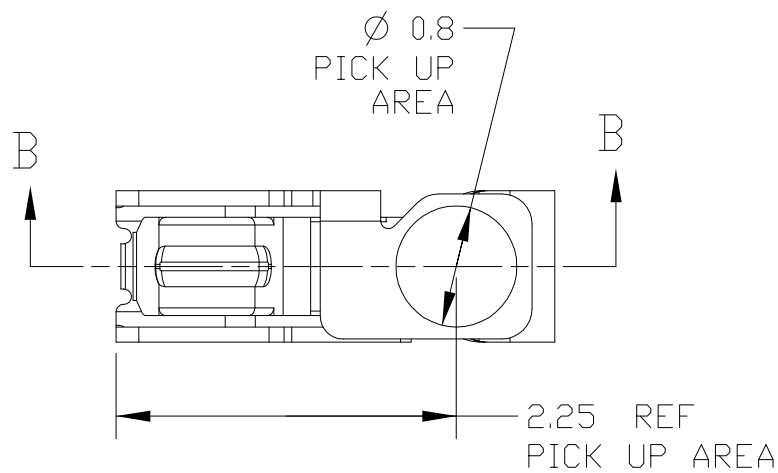
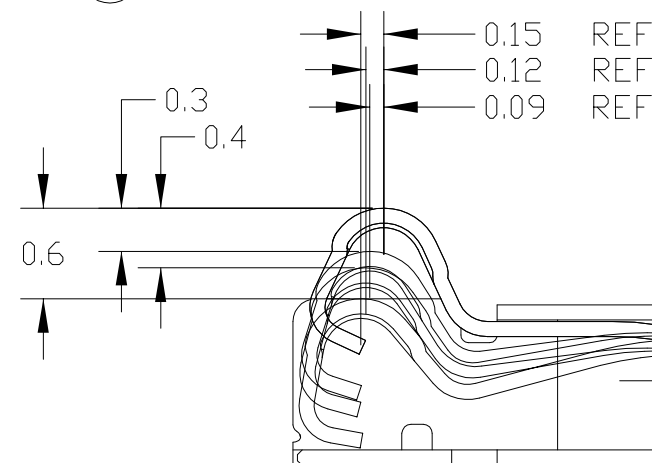


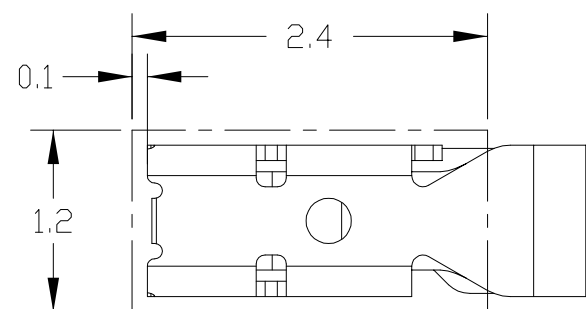
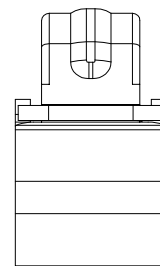
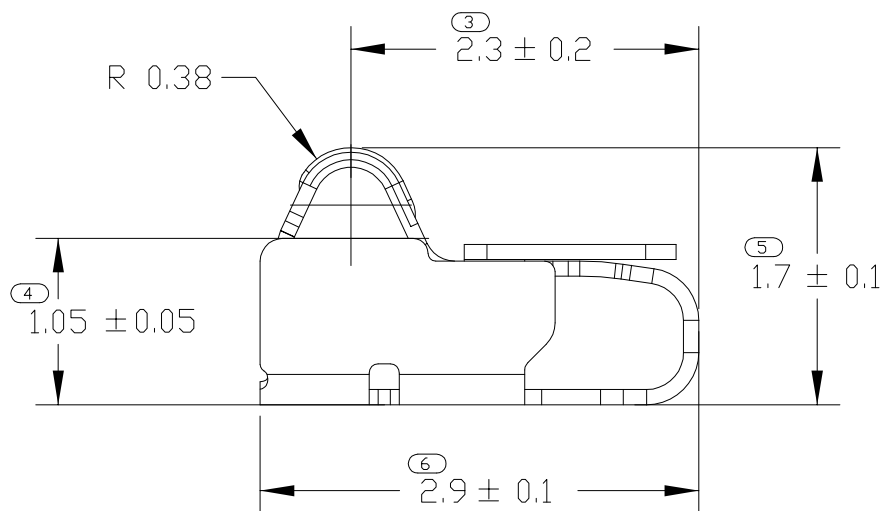
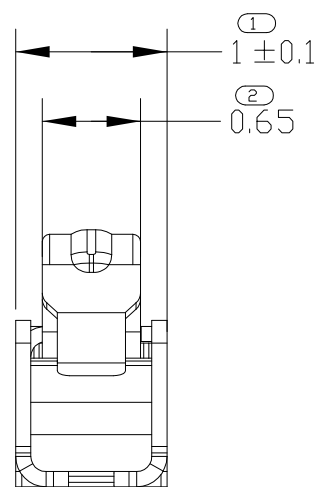
LOC	DIST	REVISIONS					
		P	LTR	DESCRIPTION	DATE	DWN	APVD
-	-		B	REVISED	05JUNE2013	IC.K	JH.K
			C	REVISED	13JUNE2013	IC.K	JH.K
			C1	REVISED	25FEB2014	IC.K	JH.K
			C2	REVISED	05FEB2014	IC.K	JH.K



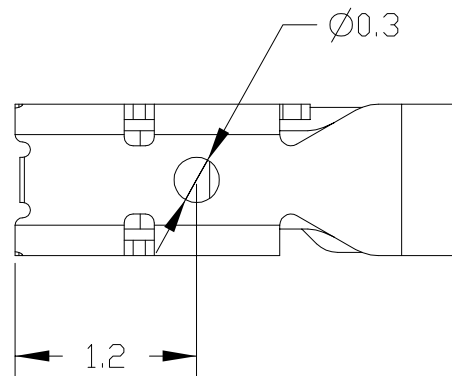
AS SHOWN
 (C1) 2108611-5/6
 (C2) 2-2108611-6



SECTION B-B
 STROKE CONDITION(REFERENCE)




RECOMMENDED PCB LAYOUT
 (REFERENCE)



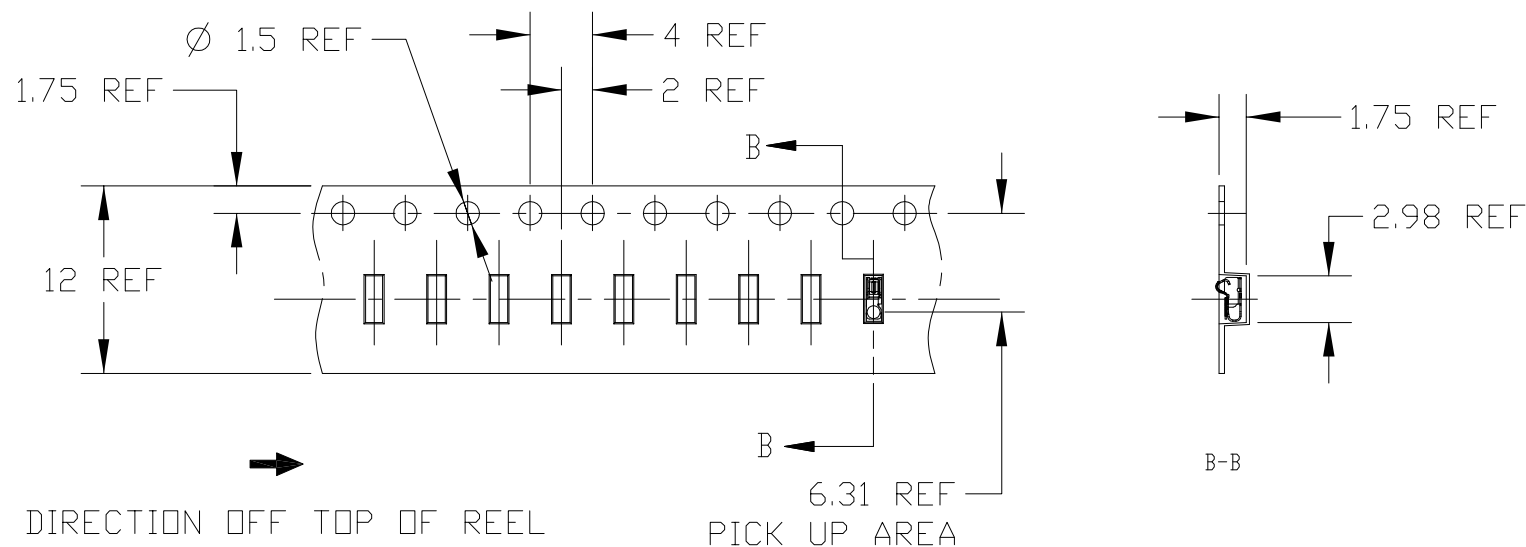
- 1 MATERIAL: COPPER ALLOY, THK.=0.1mm
- 2 FINISH: Ni UNDER PLATING ALL OVER 0.8~3.0um.
 CONTACT PLATING: Au 0.1~0.4um
 SOLDER PLATING: Au FLASH 0.05~0.35um
- 3 CUTTING BURR: 0.05mm MAX.
- (C1) 4 F/G SHOULD BE SEPARATED BASED ON THE CUSTOMER'S PART NUMBER AS BELOW TABLE

NO	PART NUMBER	CUSTOMER PART NUMBER	PRODUCT SPEC
1	2108611-5	MCE62632901	108-61186
2	2108611-6	EAG63652201	108-61186
(C2) 3	2-2108611-6	-	108-61251

THIS DRAWING IS A CONTROLLED DOCUMENT.		DWN IC KANG 05APR2013	 TE Connectivity	
DIMENSIONS: mm		CHK JH KIM 05APR2013		
TOLERANCES UNLESS OTHERWISE SPECIFIED: ±0.15		APVD JH KIM 05APR2013	NAME	
0-PLC ± 1-PLC ±0.5 2-PLC ±0.13 3-PLC ±0.013 4-PLC ±0.0001 ANGLES ±		PRODUCT SPEC SEE TABLE 4	SPRING FINGER 1.7H	
MATERIAL - 1		APPLICATION SPEC -	SIZE A3	CAGE CODE 00779
FINISH - 2		WEIGHT -	DRAWING NO C-2108611	RESTRICTED TO -
CUSTOMER DRAWING			SCALE 20:1	SHEET 1 OF 3
			REV C2	

LOC	DIST	REVISIONS					
		P	LTR	DESCRIPTION	DATE	DWN	APVD
-	-			SEE SHEET 1			

① 4 <2108611-5 : FOR MCE62632901>

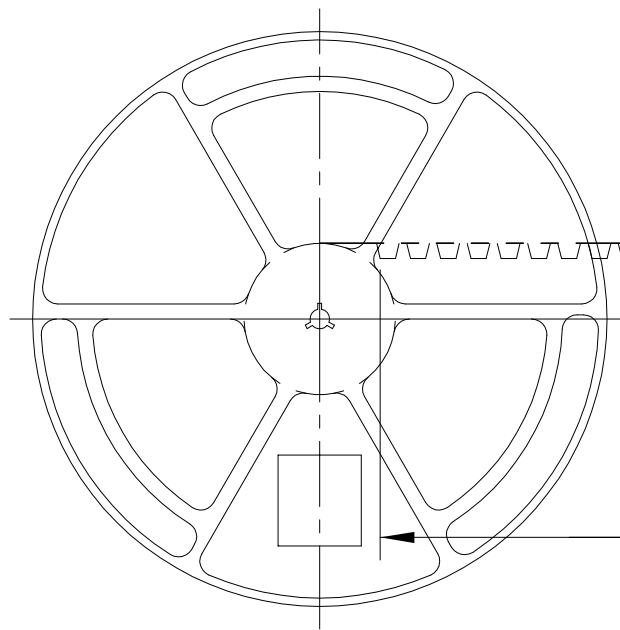
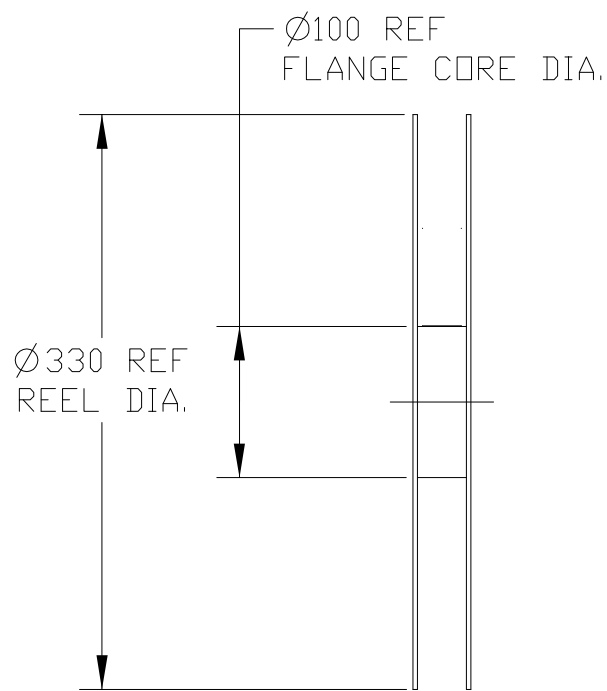


①

MCE62632901-YYYYMMDD-*****-HK000120
 SPEC: 1.7H SPRING FINGER WITH EMBOSS
 Company Name: TE CONNECTIVITY
 Tyco Part Number :2108611-5

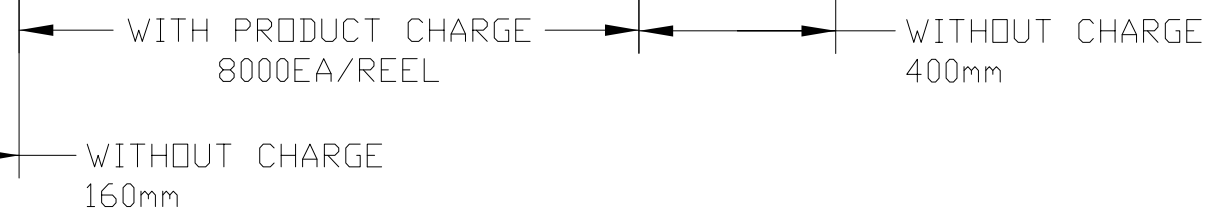
RoHS H/F

- 1. LG PART NO.
- 2. FINAL INSPECTION(YYYMMDD)
- 3. VENDOR PRODUCTION LOT NO.
- 4. VENDOR CODE



WEEDING THE COVER TAPE, AROUND THE OUTER PERIPHERY IN A TURN.

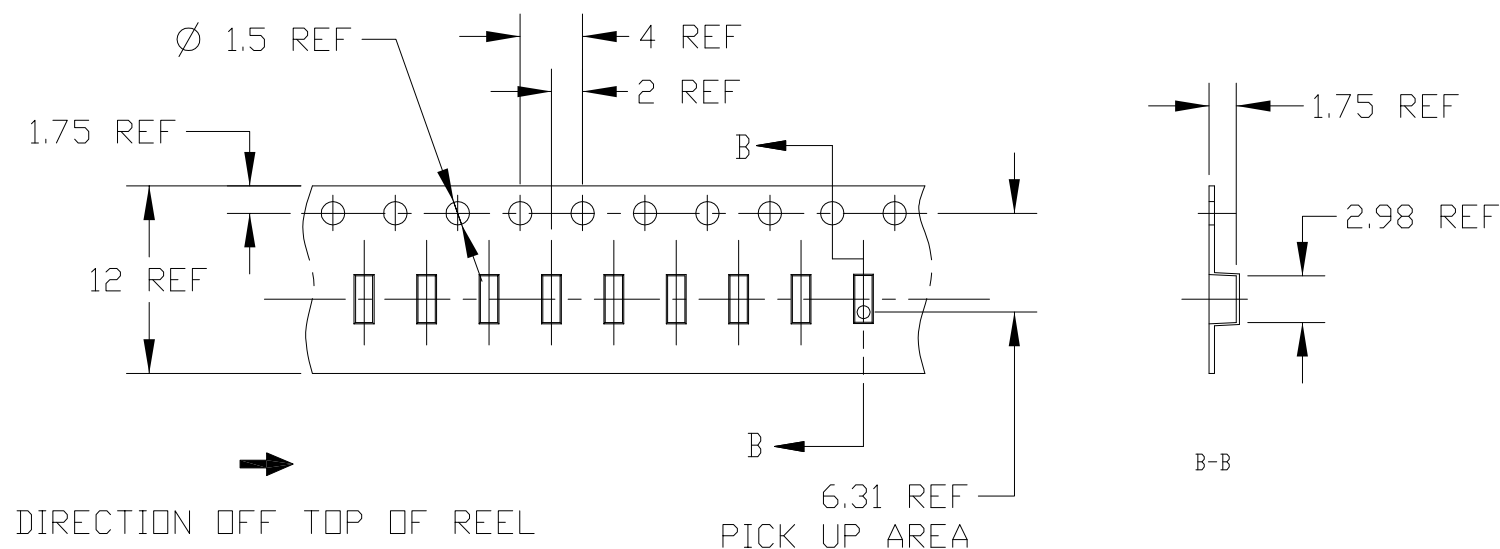
165°~180° PEELING ANGLE
 0.1~1.0 N PEELING FORCE



THIS DRAWING IS A CONTROLLED DOCUMENT.		DWN	IC KANG	05APR2013	 TE Connectivity	NAME		SPRING FINGER 1.7H		
DIMENSIONS: mm		CHK	JH KIM	08FEB2013		PRODUCT SPEC		SIZE	CAGE CODE	DRAWING NO
TOLERANCES UNLESS OTHERWISE SPECIFIED: ±0.15		APVD	JH KIM	08FEB2013		APPLICATION SPEC		A3	00779	©=2108611
0-PLC ± 1-PLC ±0.5 2-PLC ±0.13 3-PLC ±0.013 4-PLC ±0.0001 ANGLES ± FINISH -		MATERIAL		WEIGHT		RESTRICTED TO		-		
CUSTOMER DRAWING					SCALE		20:1	SHEET 2 OF 3		REV C2

P	LTR	DESCRIPTION	DATE	DWN	APVD
		SEE SHEET 1			

① 2108611-6 : FOR EAG63652201

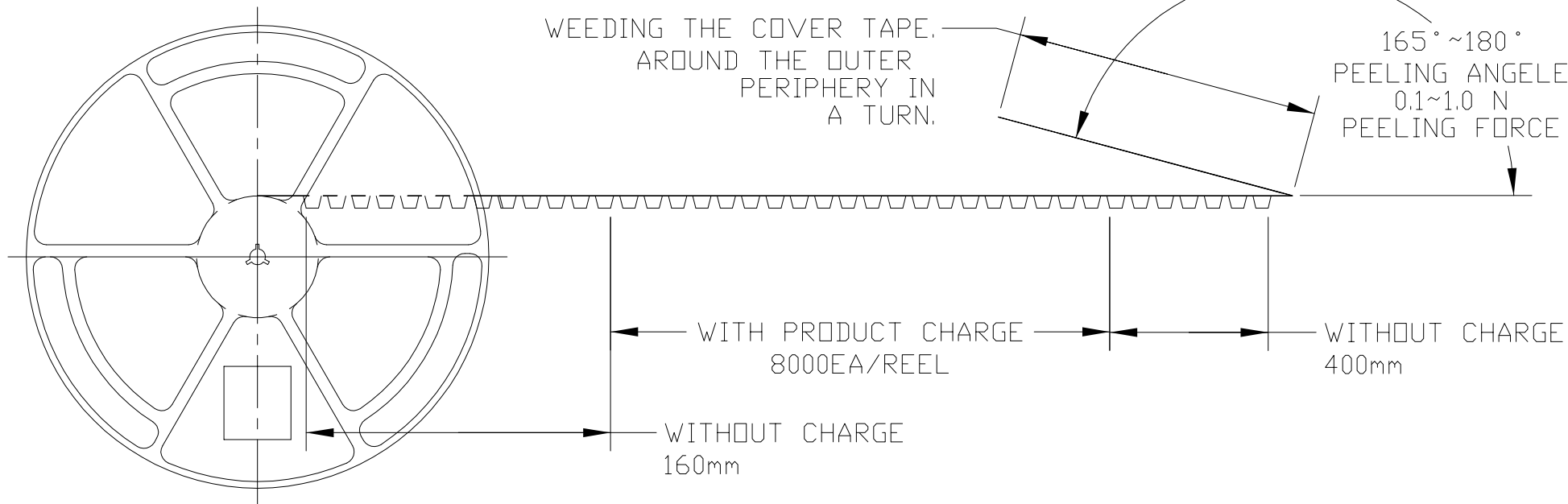
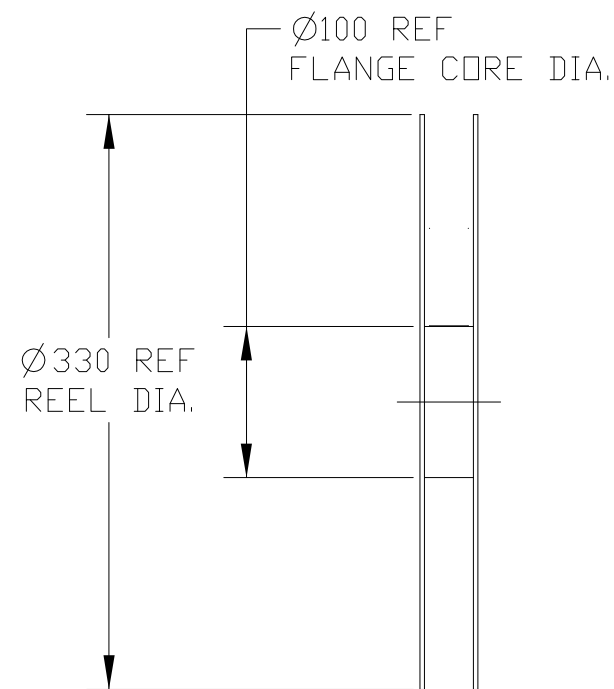


①

EAG63652201-YYYYMMDD-*****-HK000120
 SPEC: ①.7H SPRING FINGER WITH EMBOSS ④
 Company Name: TE CONNECTIVITY
 Tyco Part Number :2108611-5

RoHS H/F

- 1. LG PART NO.
- 2. FINAL INSPECTION(YYMMDD)
- 3. VENDOR PRODUCTION LOT NO.
- 4. VENDOR CODE



THIS DRAWING IS A CONTROLLED DOCUMENT.		DWN IC KANG 05APR2013	TE Connectivity	
DIMENSIONS: mm		CHK JH KIM 08FEB2013		
TOLERANCES UNLESS OTHERWISE SPECIFIED: ±0.15		APVD JH KIM 08FEB2013	NAME	
0-PLC ±		PRODUCT SPEC	SPRING FINGER 1.7H	
1-PLC ±0.5		108-XXXXX	SIZE	CAGE CODE
2-PLC ±0.13		APPLICATION SPEC	A3	00779
3-PLC ±0.013			DRAWING NO	RESTRICTED TO
4-PLC ±0.0001		WEIGHT	©=2108611	
ANGLES ±		CUSTOMER DRAWING	SCALE 20:1	SHEET 3 OF 3
FINISH			REV C2	

X-ON Electronics

Largest Supplier of Electrical and Electronic Components

Click to view similar products for [EMI Gaskets, Sheets, Absorbers & Shielding](#) *category:*

Click to view products by [TE Connectivity](#) *manufacturer:*

Other Similar products are found below :

[8101010140](#) [8563-0090-89](#) [1194-7.7X10](#) [1245-34"X18YD](#) [1267](#) [1345-3/8x18yrd](#) [1554907-1](#) [2320002000](#) [2320014700](#) [SG293037DS](#)
[ST005PCN50](#) [55005107](#) [38M4040AA0606](#) [46J5N02020.NN00](#) [1125-8X10](#) [1126X1"](#) [1170-3/4X18YDS](#) [1170-7.7x10](#) [1183-12"X18YD](#) [6-](#)
[34T-BD-0.315](#) [SG125187D-24](#) [SG125250R-24](#) [SG187375R-24](#) [SG284050DS](#) [8402010540](#) [KIT TECH CLIP](#) [1194](#) [10-40450-28S](#) [1245](#)
[1267-1/2"x18yd](#) [46J8501020.NN00](#) [1170-1/4"x18yd](#) [AL-36FR-1x54.5](#) [3013310A](#) [1194X1"](#) [3020604](#) [3021302](#) [3031313](#) [260709](#) [3021310](#) [6-](#)
[34UT-070-BD-16](#) [303076048](#) [46J5N03020.NN00](#) [30206025](#) [30395641](#) [3030403](#) [3690103020](#) [HNY-LT15CU4241](#) [46X7503020.NN00](#)
[46W5E02520.NN00](#)