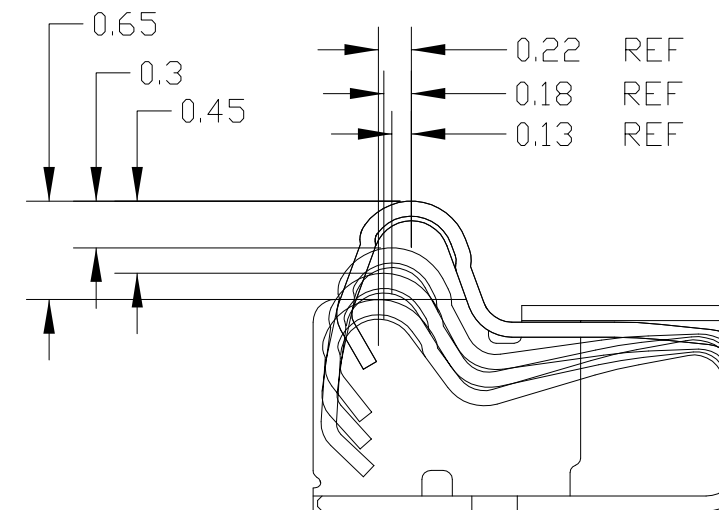


P	LTR	DESCRIPTION	DATE	DWN	APVD
	B	REVISED	05JUNE2013	IC.K	JH.K
	C	REVISED	13JUNE2013	IC.K	JH.K
	C1	REVISED	19JAN2015	IC.K	JH.K
	C2	REVISED	06FEB2015	IC.K	JH.K

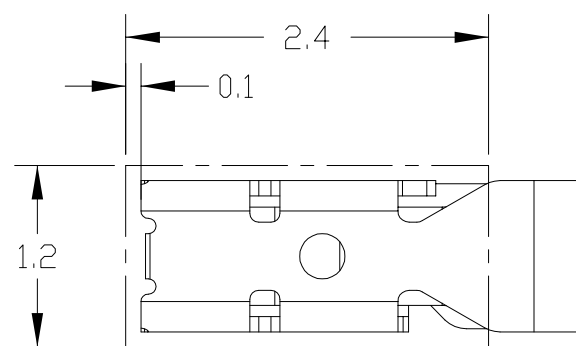
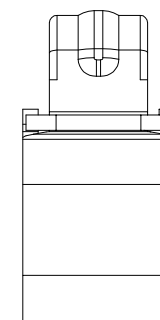
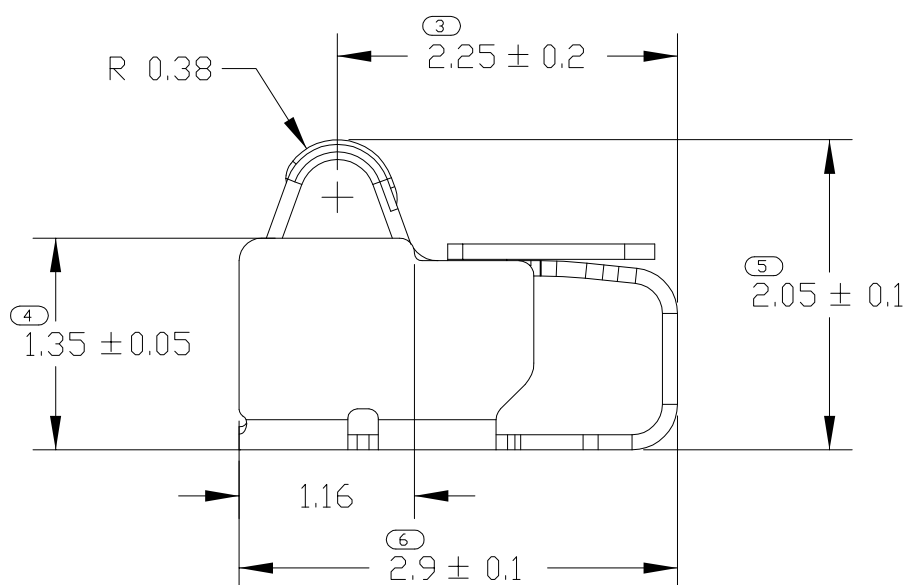
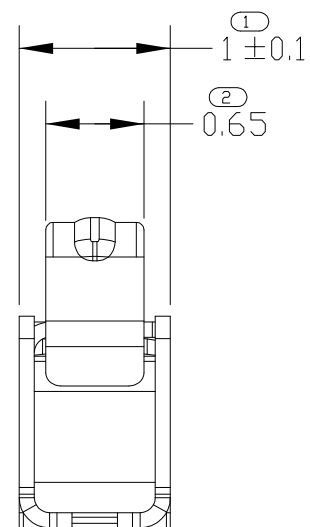
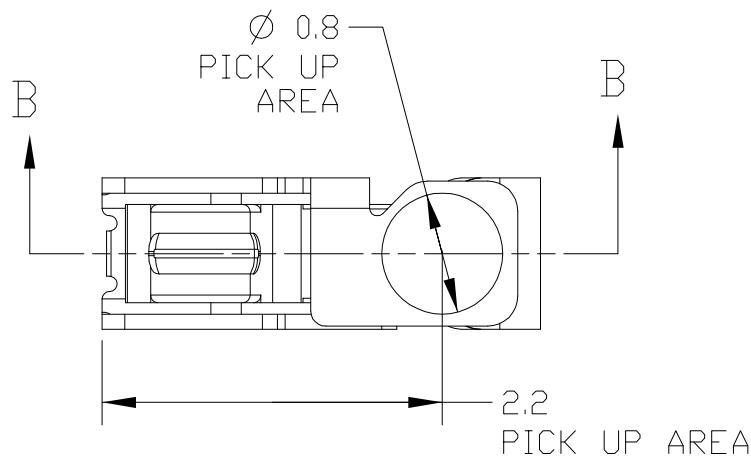
AS SHOWN
2108612-5
② 2-2108612-6



SECTION B-B
STROKE CONDITION (REFERENCE)

- ① MATERIAL: COPPER ALLOY, THK.=0.1mm
- ② FINISH: NI UNDER PLATING ALL OVER 0.8~3.0um
CONTACT PLATING: Au 0.1~0.4um
SOLDER PLATING: Au FLASH 0.05~0.35um
- ③ CUTTING BURR: 0.05mm MAX.
- ④ PRODUCT SPEC

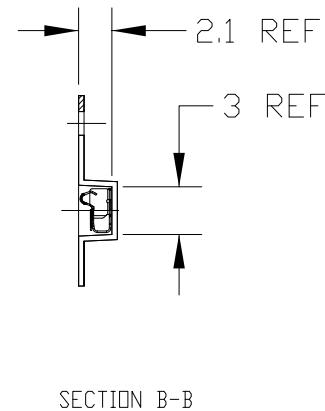
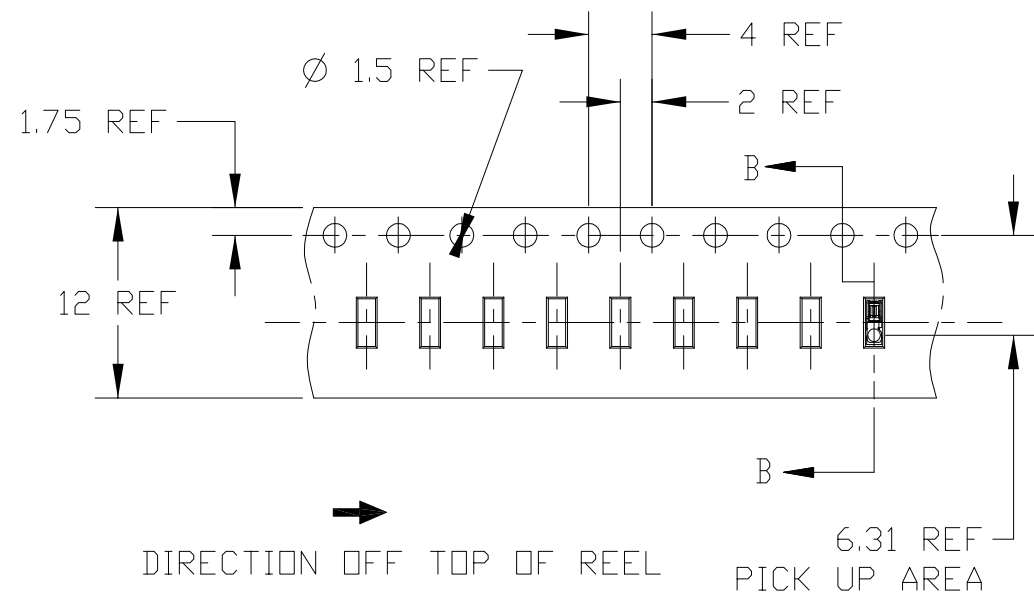
NO	PART NUMBER	PRODUCT SPEC
1	2108612-5	108-61187
2	2-2108612-6	108-61252



RECOMMENDED PCB LAYOUT
(REFERENCE)

THIS DRAWING IS A CONTROLLED DOCUMENT.		DWN IC KANG 05APR2013		
DIMENSIONS: mm		CHK JH KIM 05APR2013		
TOLERANCES UNLESS OTHERWISE SPECIFIED: ± 0.15		APVD JH KIM 05APR2013	NAME	
0-PLC ± 1-PLC ±0.5 2-PLC ±0.13 3-PLC ±0.013 4-PLC ±0.0001 ANGLES ±		PRODUCT SPEC SEE TABLE ④	SPRING FINGER 2.05H	
MATERIAL ①		APPLICATION SPEC -	SIZE A3	CAGE CODE 00779
FINISH ②		WEIGHT -	DRAWING NO C-2108612	RESTRICTED TO -
CUSTOMER DRAWING			SCALE 20:1	SHEET 1 OF 2
			REV C2	

P	LTR	DESCRIPTION	DATE	DWN	APVD
		SEE SHEET 1			



TE

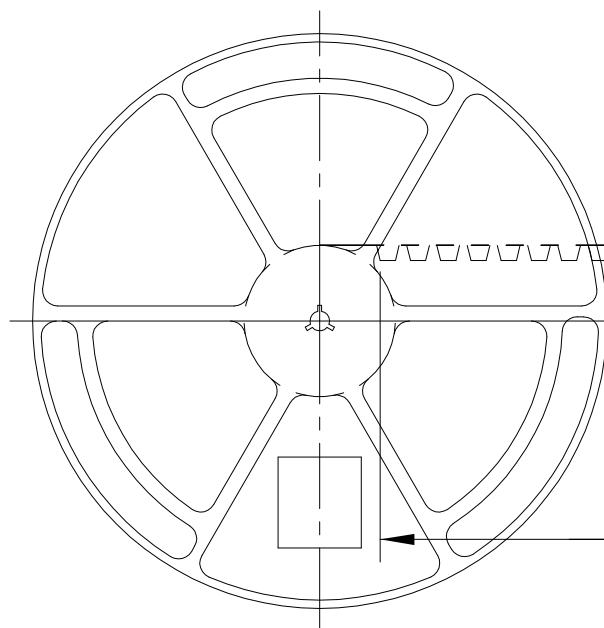
EAG63613001-YYYYMMDD-*****-HK000120
 SPEC: 2.05H SPRING FINGER WITH EMBOSS
 Company Name: TE CONNECTIVITY
 Tyco Part Number : 2108612-5

RoHS
H/F

- 1. LG PART NO. 2. FINAL INSPECTION(YYMMDD)
- 3. VENDOR PRODUCTION LOT NO. 4. VENDOR CODE

Ø100 REF
FLANGE CORE DIA.

Ø330 REF
REEL DIA.



WEEDING THE COVER TAPE,
AROUND THE OUTER
PERIPHERY IN
A TURN.

165°~180°
PEELING ANGLE
0.1~1.0 N
PEELING FORCE

WITH PRODUCT CHARGE
7000EA/REEL

WITHOUT CHARGE
400mm

WITHOUT CHARGE
160mm

13.4 REF
19.4 REF
REEL WIDTH

THIS DRAWING IS A CONTROLLED DOCUMENT.		DWN IC KANG 05APR2013		TE TE Connectivity	
		CHK JH KIM 05APR2013			
DIMENSIONS: mm 		TOLERANCES UNLESS OTHERWISE SPECIFIED: ±0.15		APVD JH KIM 05APR2013	
		0-PLC ± 1-PLC ±0.5 2-PLC ±0.13 3-PLC ±0.013 4-PLC ±0.0001 ANGLES ± FINISH -		NAME	
MATERIAL -		PRODUCT SPEC 108-XXXXX		SPRING FINGER 2.05H	
		APPLICATION SPEC		SIZE	RESTRICTED TO
		WEIGHT -		CAGE CODE A300779	DRAWING NO C-2108612
		CUSTOMER DRAWING		SCALE 20:1	SHEET 2 OF 2
				REV C2	

X-ON Electronics

Largest Supplier of Electrical and Electronic Components

Click to view similar products for [EMI Gaskets, Sheets, Absorbers & Shielding](#) category:

Click to view products by [TE Connectivity](#) manufacturer:

Other Similar products are found below :

[8101010140](#) [8563-0090-89](#) [1194-7.7X10](#) [1245-34"X18YD](#) [1267](#) [1345-3/8x18yrd](#) [1380-2"X8"](#) [1554907-1](#) [2320002000](#) [2320014700](#)
[SG293037DS](#) [ST005PCN50](#) [55005107](#) [38M4040AA0606](#) [46J5N02020.NN00](#) [1125-8X10](#) [1126X1"](#) [1170-3/4X18YDS](#) [1170-7.7x10](#) [1183-](#)
[12"X18YD](#) [6-34T-BD-0.315](#) [SG125187D-24](#) [SG125250R-24](#) [SG187375R-24](#) [SG284050DS](#) [8402010540](#) [KIT TECH CLIP](#) [1194](#) [10-40450-](#)
[28S](#) [1245](#) [1267-1/2"x18yd](#) [46J8501020.NN00](#) [1170-1/4"x18yd](#) [AL-36FR-1x54.5](#) [3013310A](#) [1194X1"](#) [3020604](#) [3021302](#) [3031313](#) [260709](#)
[3021310](#) [6-34UT-070-BD-16](#) [303076048](#) [46J5N03020.NN00](#) [30206025](#) [30395641](#) [3030403](#) [3690103020](#) [HNY-LT15CU4241](#) [1170-](#)
[3/8"x18yd](#)