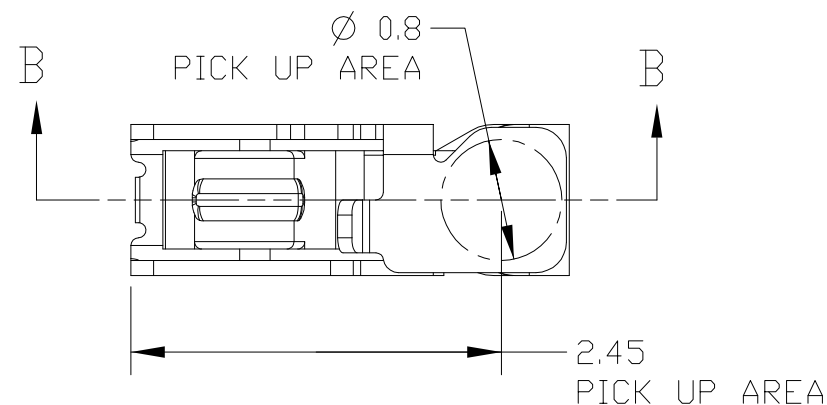
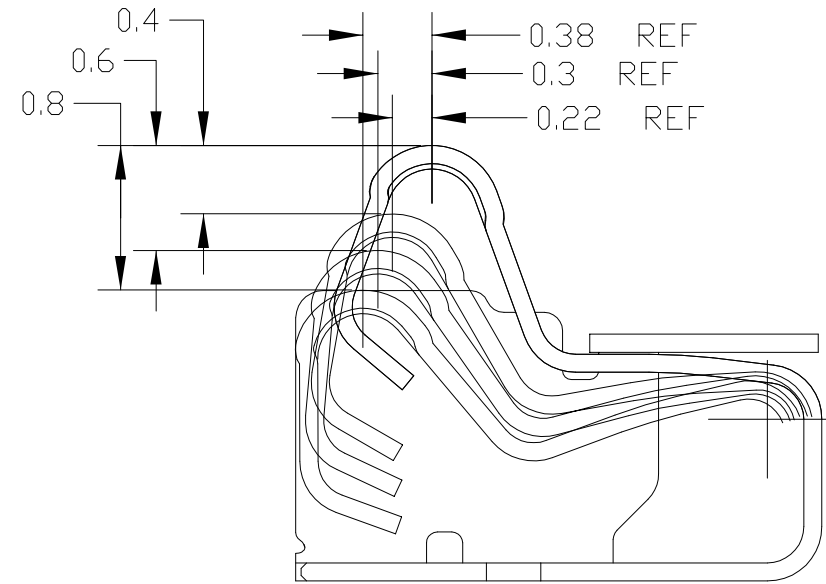


P	LTR	DESCRIPTION	DATE	DWN	APVD
	A	RELEASED	16MAY2013	IC.K	JH.K
	B	REVISED	03JUNE2013	IC.K	JH.K
	C	REVISED	10JUNE2013	IC.K	JH.K
	C1	REVISED	25FEB2014	IC.K	JH.K

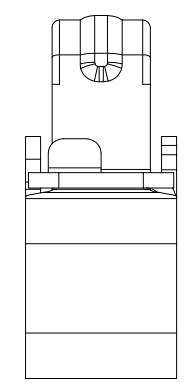
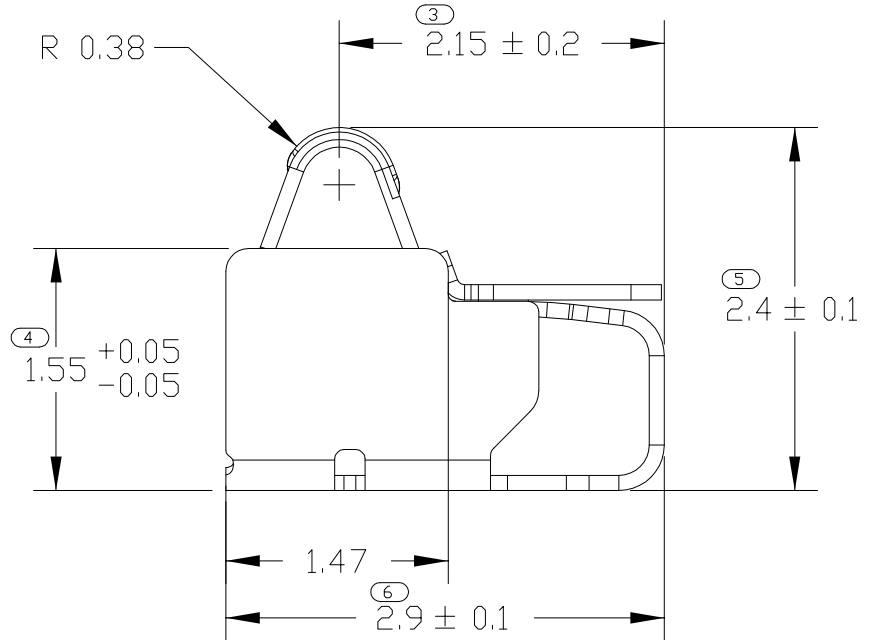
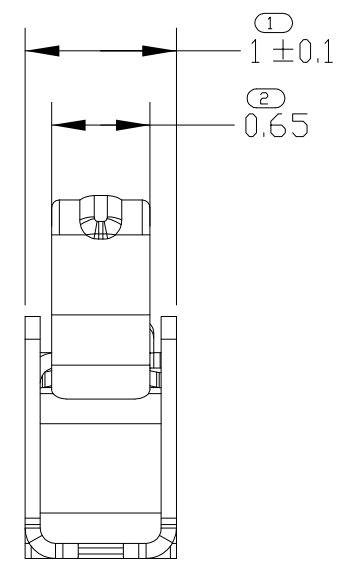


AS SHOWN
 ① 2108613-5/6
 ② 2-2108613-6



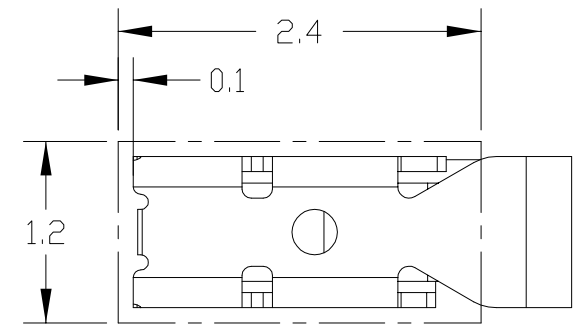
SECTION B-B

STROKE CONDITION(REFERENCE)

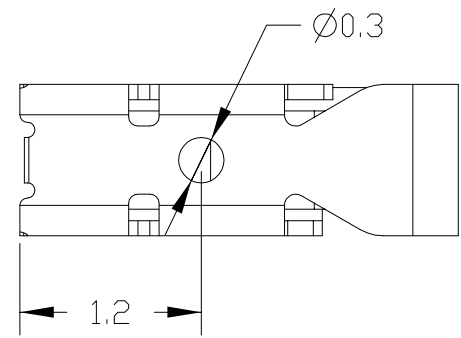


- ① MATERIAL: TICU(COPPER ALLOY), THK.= 0.1
- ② FINISH: Ni UNDER PLATING ALL OVER 0.8~3.0um
 CONTACT PLATING: Au 0.1~0.4um
 SOLDER PLATING: Au 0.05~0.35um
- ③ CUTTING BURR: 0.05mm MAX.
- ④ F/G SHOULD BE SAPERATED BASED ON THE CUSTOMER'S PART NUMBER AS BELOW TABLE

NO	PART NUMBER	CUSTOMER PART NUMBER	PRODUCT SPEC
1	2108613-5	MBV62561601	108-61188
2	2108613-6	EAG63652101	
3	2-2108613-6	-	108-61253



RECOMENDED PCB LAYOUT (REFERENCE)



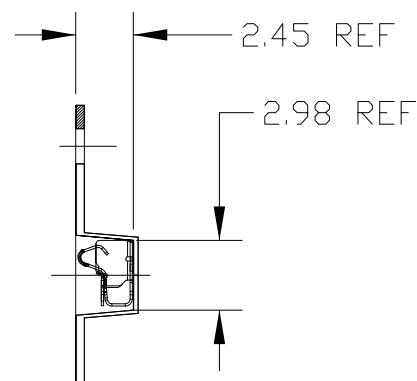
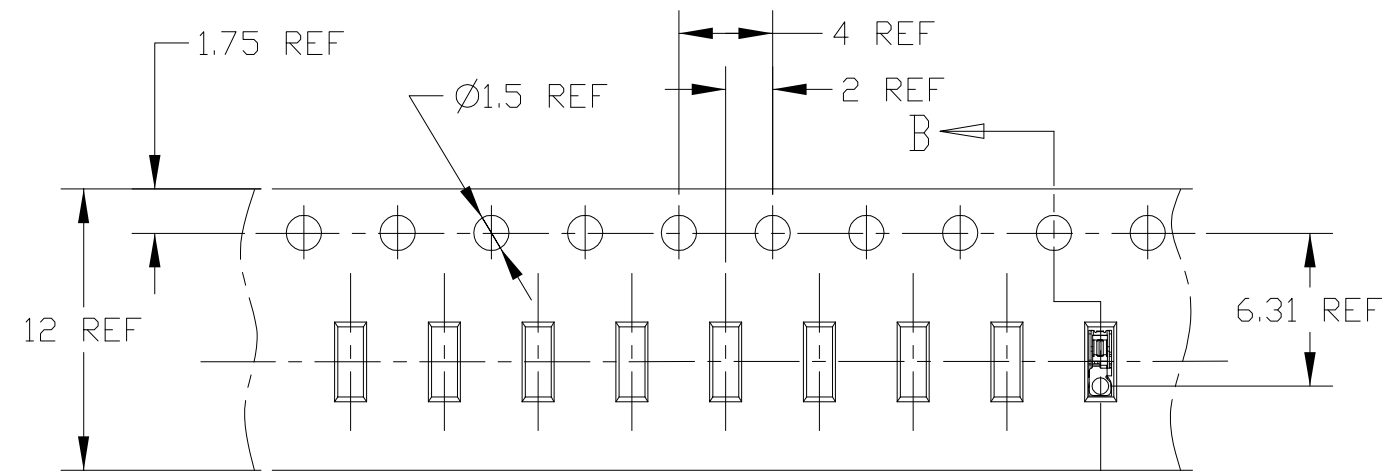
THIS DRAWING IS A CONTROLLED DOCUMENT.

DIMENSIONS: mm	TOLERANCES UNLESS OTHERWISE SPECIFIED: ±0.15	DWN JH GONG 08FEB2013	
	0-PLC ± 1-PLC ±0.5 2-PLC ±0.13 3-PLC ±0.013 4-PLC ±0.0001 ANGLES ±	CHK JH KIM 08FEB2013	
	MATERIAL ①	FINISH ②	

PRODUCT SPEC SEE TABLE ④	NAME	SIZE	CAGE CODE	DRAWING NO	RESTRICTED TO
APPLICATION SPEC		A3	00779	C=2108613	
WEIGHT					
CUSTOMER DRAWING	SCALE 20:1	SHEET 1 OF 3	REV C2		

P	LTR	DESCRIPTION	DATE	DWN	APVD
		SEE SHEET 1			


①4<2108613-5 : FOR MBV62561601>



DIRECTION OFF TOP OF REEL

SECTION B-B

TE



MBV62561601-YYYYMMDD-*****-HK000120

SPEC: 2.4H SPRING FINGER WITH EMBOSS

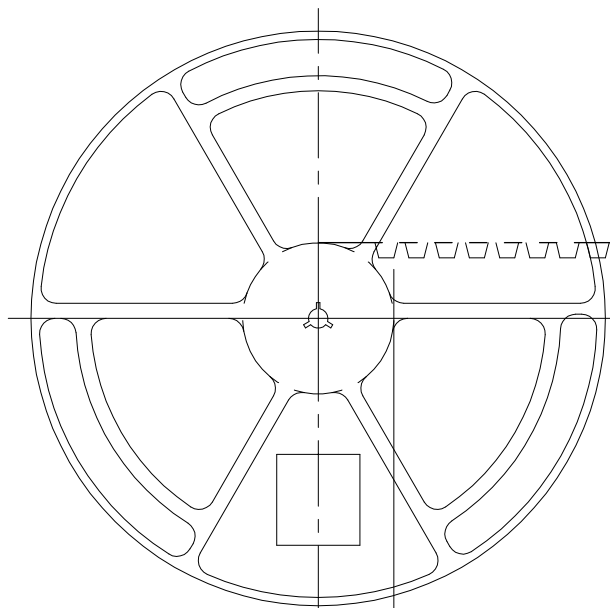
Company Name: TE CONNECTIVITY
Tyco Part Number : 2108613-5

RoHS
H/F

- 1. LG PART NO.
- 2. FINAL INSPECTION(YYYMMDD)
- 3. VENDOR PRODUCTION LOT NO.
- 4. VENDOR CODE

Ø100 REF
FLANGE CORE DIA.

Ø330 REF
REEL DIA.



WEEDING THE COVER TAPE.
AROUND THE OUTER
PERIPHERY IN
A TURN


165° ~ 180°
PEELING ANGLE
0.1~1.0N
PEELING FORCE

WITH PRODUCT CHARGE
6000EA/1REEL

WITHOUT CHARGE
400mm REF.

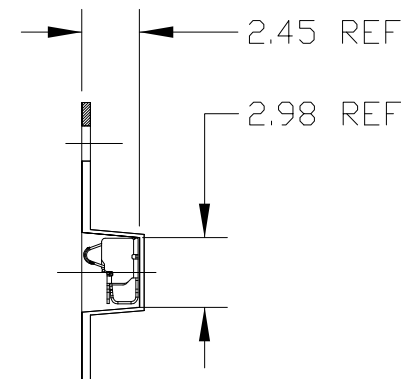
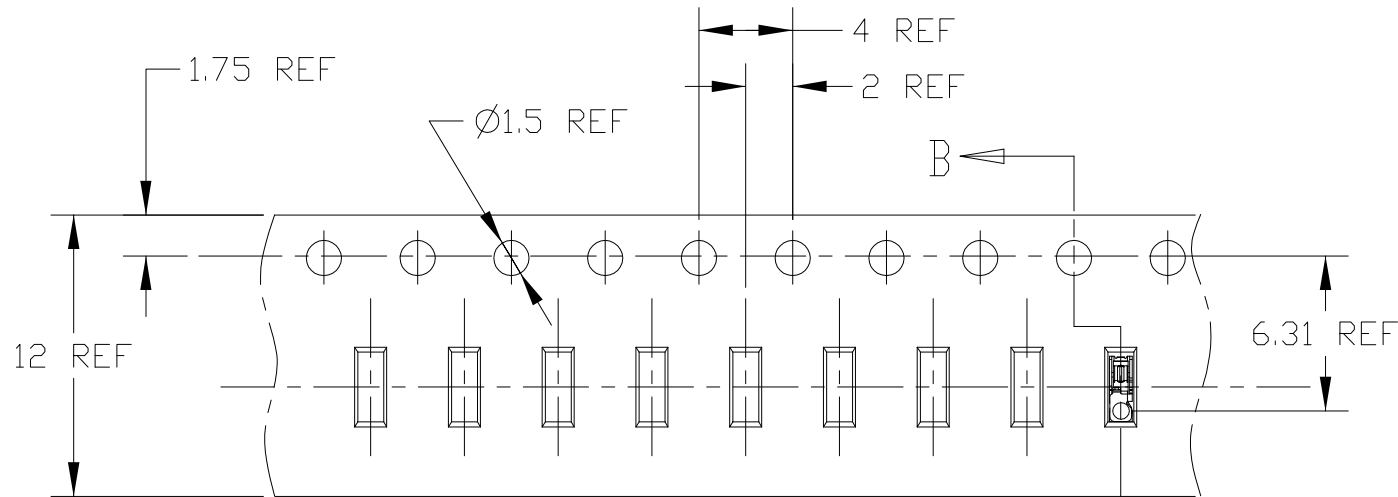
160mm REF
WITHOUT CHARGE

13.4
19.4
REEL WIDTH

THIS DRAWING IS A CONTROLLED DOCUMENT.		DWN JH GONG 08FEB2013		TE TE Connectivity	
		CHK JH KIM 08FEB2013			
		APVD JH KIM 08FEB2013		NAME	
DIMENSIONS: mm 		PRODUCT SPEC		SPRING FINGER 2.4H	
		APPLICATION SPEC			
MATERIAL		WEIGHT		SIZE	RESTRICTED TO
				A300779	
		CUSTOMER DRAWING		DRAWING NO	
				C=2108613	
				SCALE	SHEET
				20:1	2 OF 3
				REV	C2

P	LTR	DESCRIPTION	DATE	DWN	APVD
		SEE SHEET 1			

① 4 <2108613-6 : FOR EAG63652101>



DIRECTION OFF TOP OF REEL

SECTION B-B

①

STE

EAG63652101-YYYYMMDD-*****-HK000120

SPEC: 2.4H SPRING FINGER WITH EMBOSS

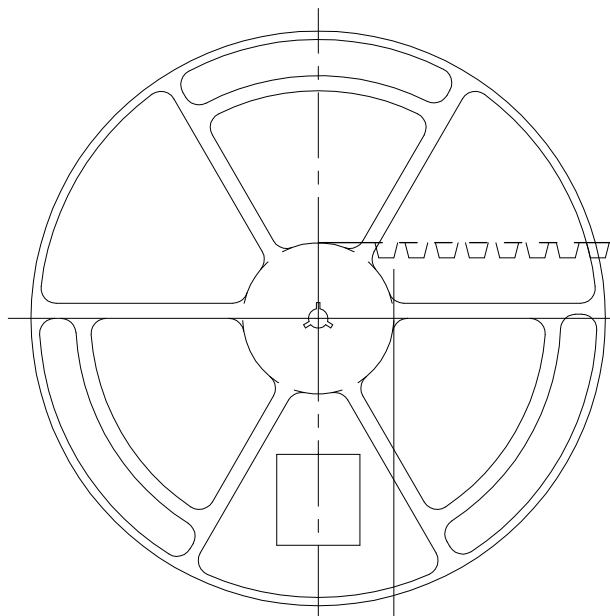
Company Name: TE CONNECTIVITY
Tyco Part Number : 2108613-5

RoHS
H/F

- 1. LG PART NO.
- 2. FINAL INSPECTION(YYYMMDD)
- 3. VENDOR PRODUCTION LOT NO.
- 4. VENDOR CODE

Ø100 REF
FLANGE CORE DIA.

Ø330 REF
REEL DIA.



WEEDING THE COVER TAPE.
AROUND THE OUTER
PERIPHERY IN
A TURN

165°~180°
PEELING ANGLE
0.1~1.0N
PEELING FORCE

WITH PRODUCT CHARGE
6000EA/1REEL

WITHOUT CHARGE
400mm REF.

160mm REF
WITHOUT CHARGE

13.4
19.4
REEL WIDTH

THIS DRAWING IS A CONTROLLED DOCUMENT.		DWN JH GONG 08FEB2013		STE TE Connectivity	
		CHK JH KIM 08FEB2013			
		APVD JH KIM 08FEB2013		NAME	
DIMENSIONS: mm 		TOLERANCES UNLESS OTHERWISE SPECIFIED: ±0.15		SPRING FINGER 2.4H	
		Ø-PLC ± 1-PLC ±0.5 2-PLC ±0.13 3-PLC ±0.013 4-PLC ±0.0001 ANGLES ± FINISH -			
MATERIAL -		PRODUCT SPEC 108-XXXXX		DRAWING NO	
		APPLICATION SPEC -		RESTRICTED TO	
		WEIGHT -		SIZE A3	
		CUSTOMER DRAWING		CAGE CODE 00779	
				DRAWING NO C=2108613	
				SCALE 20:1	
				SHEET 3 OF 3	
				REV C2	

X-ON Electronics

Largest Supplier of Electrical and Electronic Components

Click to view similar products for [EMI Gaskets, Sheets, Absorbers & Shielding](#) category:

Click to view products by [TE Connectivity](#) manufacturer:

Other Similar products are found below :

[8101010140](#) [8563-0090-89](#) [1194-7.7X10](#) [1245-34"X18YD](#) [1267](#) [1345-3/8x18yrd](#) [1380-2"X8"](#) [1554907-1](#) [2320002000](#) [2320014700](#)
[SG293037DS](#) [ST005PCN50](#) [55005107](#) [38M4040AA0606](#) [46J5N02020.NN00](#) [1125-8X10](#) [1126X1"](#) [1170-3/4X18YDS](#) [1170-7.7x10](#) [1183-](#)
[12"X18YD](#) [6-34T-BD-0.315](#) [SG125187D-24](#) [SG125250R-24](#) [SG187375R-24](#) [SG284050DS](#) [8402010540](#) [KIT TECH CLIP](#) [1194](#) [10-40450-](#)
[28S](#) [1245](#) [1267-1/2"x18yd](#) [46J8501020.NN00](#) [1170-1/4"x18yd](#) [AL-36FR-1x54.5](#) [3013310A](#) [1194X1"](#) [3020604](#) [3021302](#) [3031313](#) [260709](#)
[3021310](#) [6-34UT-070-BD-16](#) [303076048](#) [46J5N03020.NN00](#) [30206025](#) [30395641](#) [3030403](#) [3690103020](#) [HNY-LT15CU4241](#) [1170-](#)
[3/8"x18yd](#)