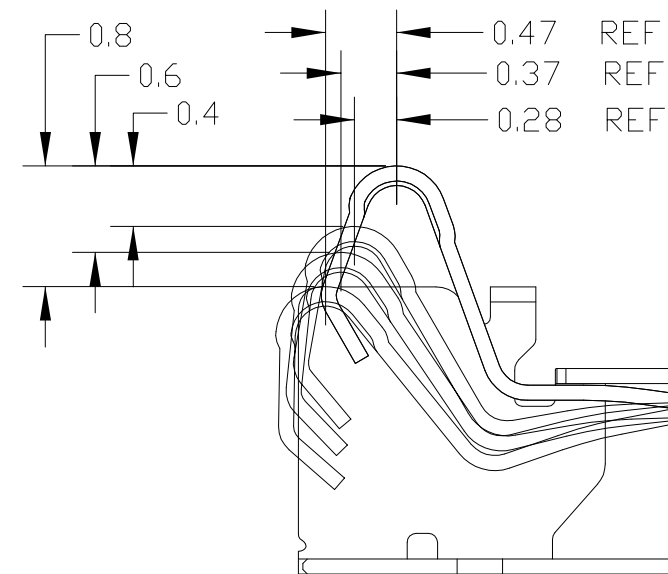


P	LTR	DESCRIPTION	DATE	DWN	APVD
	B	REVISED	05JUNE2013	IC.K	JH.K
	C	REVISED	13JUNE2013	IC.K	JH.K
	C1	REVISED	19JAN2015	IC.K	JH.K
	C2	REVISED	06FEB2015	IC.K	JH.K

AS SHOWN

2108614-5

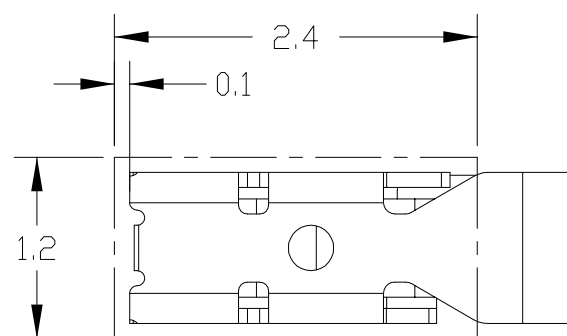
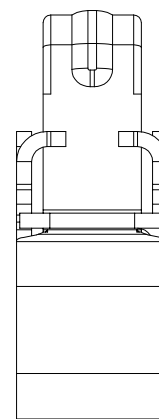
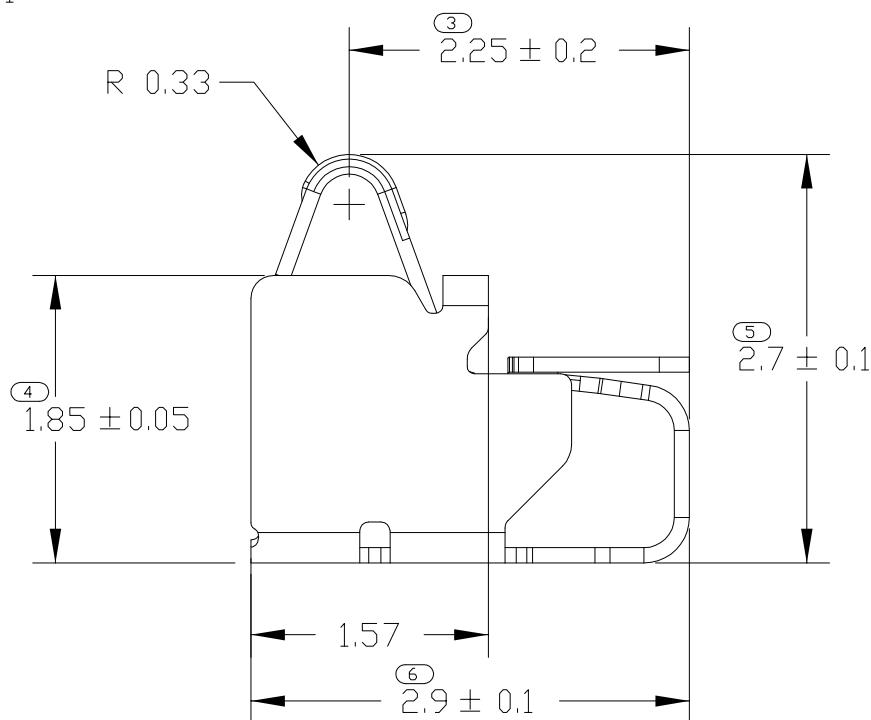
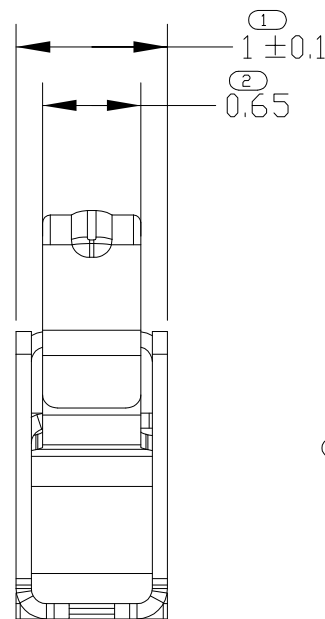
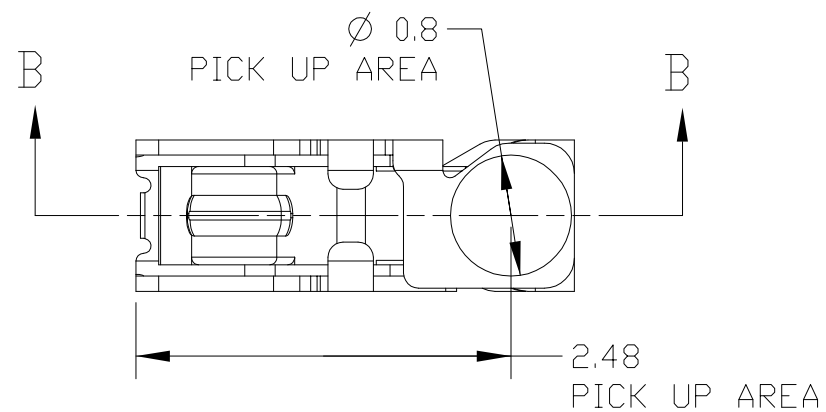
② 2-2108614-6



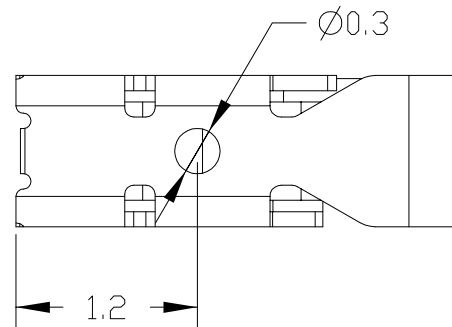
SECTION B-B
STROKE CONDITION (REFERENCE)

- ① MATERIAL: COPPER ALLOY, THK.=0.1mm
- ② FINISH: Ni UNDER PLATING ALL OVER 0.8~3.0um
CONTACT PLATING: Au 0.1~0.4um
SOLDER PLATING: Au FLASH 0.05~0.35um
- ③ CUTTING BURR: 0.05mm MAX.
- ④ PRODUCT SPEC

NO	PART NUMBER	PRODUCT SPEC
1	2108614-5	108-61189
② 2	2-2108614-6	108-61254



RECOMMENDED PCB LAYOUT
(REFERENCE)

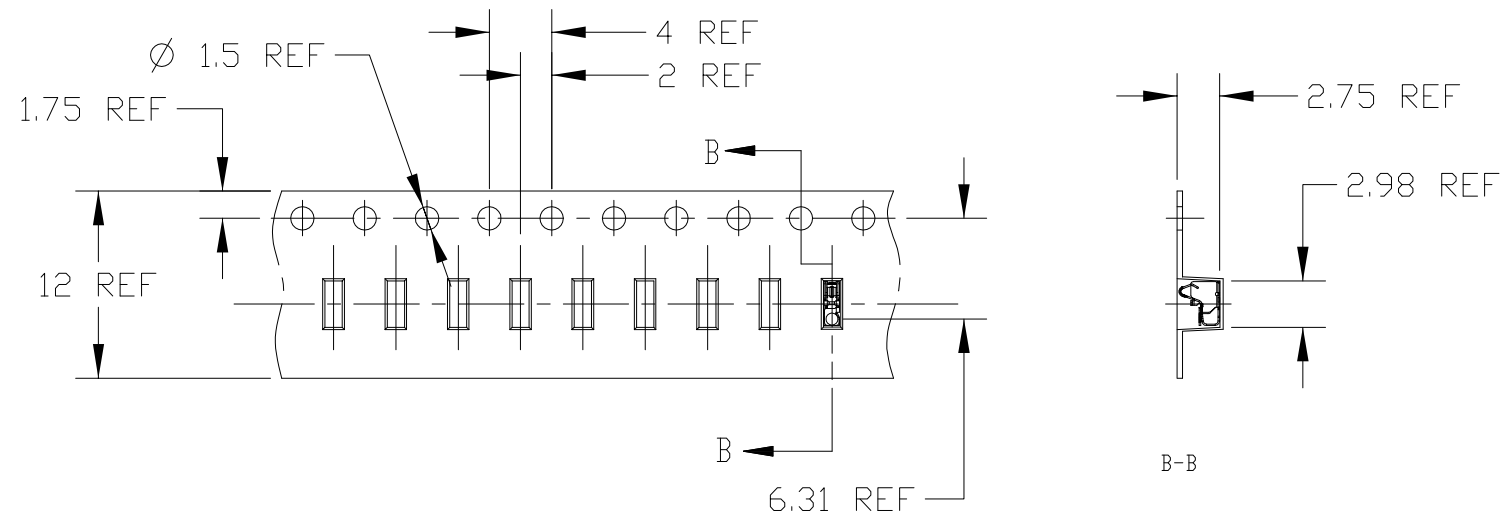


THIS DRAWING IS A CONTROLLED DOCUMENT.	
DIMENSIONS: mm	TOLERANCES UNLESS OTHERWISE SPECIFIED: ±0.15
	0-PLC ±
	1-PLC ±0.5
	2-PLC ±0.13
	3-PLC ±0.013
	4-PLC ±0.0001
	ANGLES ±
MATERIAL -	FINISH -

DWN	JH GONG	08FEB2013
CHK	JH KIM	08FEB2013
APVD	JH KIM	08FEB2013
PRODUCT SPEC	SEE TABLE 4	
APPLICATION SPEC	-	
WEIGHT	-	
CUSTOMER DRAWING		


		NAME	
		SPRING FINGER 2.7H	
SIZE	CAGE CODE	DRAWING NO	RESTRICTED TO
A3	00779	©=2108614	-
SCALE 20:1		SHEET 1 OF 2	REV C2

P	LTR	DESCRIPTION	DATE	DWN	APVD
		SEE SHEET 1			



DIRECTION OFF TOP OF REEL

STE



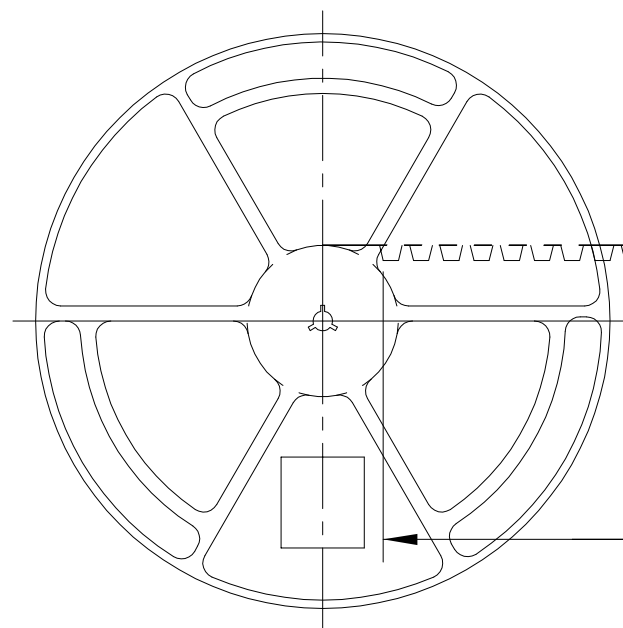
EAG63652001-YYYYMMDD-*****-HK000120
 ① ② ③ ④
 SPEC: 2.7H SPRING FINGER WITH EMBOSS
 Company Name: TE CONNECTIVITY
 Tyco Part Number : 2108614-5

RoHS
H/F

- 1. LG PART NO. 2. FINAL INSPECTION(YMMDD)
- 3. VENDOR PRODUCTION LOT NO. 4. VENDOR CODE

Ø100 REF FLANGE CORE DIA.

Ø330 REF REEL DIA.



WEEDING THE COVER TAPE, AROUND THE OUTER PERIPHERY IN A TURN.

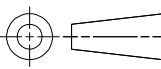
165°~180° PEELING ANGLE
0.1~1.0 N PEELING FORCE

WITH PRODUCT CHARGE
5500EA/REEL

WITHOUT CHARGE
400mm REF

WITHOUT CHARGE
160mm REF

13.4 REF
19.4 REF
REEL WIDTH

THIS DRAWING IS A CONTROLLED DOCUMENT.		DWN JH GONG 08FEB2013		STE TE Connectivity	
		CHK JH KIM 08FEB2013			
DIMENSIONS: mm 		TOLERANCES UNLESS OTHERWISE SPECIFIED: ±0.15		NAME	
		0-PLC ± 1-PLC ±0.5 2-PLC ±0.13 3-PLC ±0.013 4-PLC ±0.0001 ANGLES ± FINISH -			
MATERIAL -		APVD JH KIM 08FEB2013		SIZE	
		PRODUCT SPEC 108-XXXXX		CAGE CODE	
		APPLICATION SPEC		DRAWING NO	
		WEIGHT -		RESTRICTED TO	
		CUSTOMER DRAWING		A300779 ©=2108614	
		SCALE 20:1		SHEET 2 OF 2	
				REV C2	

X-ON Electronics

Largest Supplier of Electrical and Electronic Components

Click to view similar products for [EMI Gaskets, Sheets, Absorbers & Shielding](#) category:

Click to view products by [TE Connectivity](#) manufacturer:

Other Similar products are found below :

[8101010140](#) [8563-0090-89](#) [1194-7.7X10](#) [1245-34"X18YD](#) [1267](#) [1345-3/8x18yrd](#) [1554907-1](#) [2320002000](#) [2320014700](#) [SG293037DS](#)
[ST005PCN50](#) [55005107](#) [38M4040AA0606](#) [46J5N02020.NN00](#) [1125-8X10](#) [1126X1"](#) [1170-3/4X18YDS](#) [1170-7.7x10](#) [1183-12"X18YD](#) [6-](#)
[34T-BD-0.315](#) [SG125187D-24](#) [SG125250R-24](#) [SG187375R-24](#) [SG284050DS](#) [8402010540](#) [KIT TECH CLIP](#) [1194](#) [10-40450-28S](#) [1245](#)
[1267-1/2"x18yd](#) [46J8501020.NN00](#) [1170-1/4"x18yd](#) [AL-36FR-1x54.5](#) [3013310A](#) [1194X1"](#) [3020604](#) [3021302](#) [3031313](#) [260709](#) [3021310](#) [6-](#)
[34UT-070-BD-16](#) [303076048](#) [46J5N03020.NN00](#) [30206025](#) [30395641](#) [3030403](#) [3690103020](#) [HNY-LT15CU4241](#) [46X7503020.NN00](#)
[46W5E02520.NN00](#)