

2108641-1 ✓ ACTIVE



## AMP Signal Double Lock

TE Internal #: 2108641-1

AMP Signal Double Lock, Housing, Receptacle, Wire-to-Board, 11 Position, 2.5mm [.098in] Centerline, Crimp, 1 Row, Natural Housing Color

[View on TE.com >](#)

Connectors > PCB Connectors > Wire-to-Board Connectors > Wire-to-Board Connector Assemblies & Housings >

STD Temp Signal Double Lock Header



Connector Product Type: **Housing**

Connector & Housing Type: **Receptacle**

Connector System: **Wire-to-Board**

Number of Positions: **11**

Centerline (Pitch): **2.5 mm [ .098 in ]**

[All STD Temp Signal Double Lock Header \(6\)](#)

## Features

### Product Type Features

Connector Product Type	Housing
Connector & Housing Type	Receptacle
Connector System	Wire-to-Board
Sealable	No
Connector & Contact Terminates To	Printed Circuit Board

### Configuration Features

Number of Positions	11
Number of Rows	1

### Electrical Characteristics

Operating Voltage	50 VAC
-------------------	--------

### Body Features

--	--



Connector Profile	Standard
-------------------	----------

### Contact Features

Contact Layout	Inline
----------------	--------

Contact Retention Within Housing	With
----------------------------------	------

Contact Type	Tab
--------------	-----

### Termination Features

Termination Method to Wire & Cable	Crimp
------------------------------------	-------

### Mechanical Attachment

PCB Mount Alignment Type	Boss
--------------------------	------

Strain Relief	Without
---------------	---------

Contact Retention Type Within Housing	Double Lock Plate
---------------------------------------	-------------------

PCB Mount Alignment	With
---------------------	------

PCB Mount Retention	Without
---------------------	---------

Mating Retention Type	Latch
-----------------------	-------

Mating Retention	With
------------------	------

Connector Mounting Type	Board Mount
-------------------------	-------------

### Housing Features

Housing Material	Nylon 6/6 GF
------------------	--------------

Centerline (Pitch)	2.5 mm[.098 in]
--------------------	-----------------

Housing Color	Natural
---------------	---------

### Dimensions

Connector Length	30 mm[1.181 in]
------------------	-----------------

Connector Height	8.2 mm[.322 in]
------------------	-----------------

### Usage Conditions

Operating Temperature Range	-30 – 105 °C[-22 – 221 °F]
-----------------------------	----------------------------

### Operation/Application

Circuit Application	Power & Signal
---------------------	----------------

### Packaging Features

Packaging Quantity	2000
--------------------	------

Packaging Method	Bag
------------------	-----

### Product Compliance



[For compliance documentation, visit the product page on TE.com>](#)

EU RoHS Directive 2011/65/EU	Compliant
EU ELV Directive 2000/53/EC	Not Yet Reviewed
China RoHS 2 Directive MIIT Order No 32, 2016	No Restricted Materials Above Threshold
EU REACH Regulation (EC) No. 1907/2006	Current ECHA Candidate List: JUL 2021 (219) Candidate List Declared Against: JAN 2021 (211) SVHC > Threshold: Not Yet Reviewed
Halogen Content	Not Low Halogen - contains Br or Cl > 900 ppm.
Solder Process Capability	Not reviewed for solder process capability

Product Compliance Disclaimer

This information is provided based on reasonable inquiry of our suppliers and represents our current actual knowledge based on the information they provided. This information is subject to change. The part numbers that TE has identified as EU RoHS compliant have a maximum concentration of 0.1% by weight in homogenous materials for lead, hexavalent chromium, mercury, PBB, PBDE, DBP, BBP, DEHP, DIBP, and 0.01% for cadmium, or qualify for an exemption to these limits as defined in the Annexes of Directive 2011/65/EU (RoHS2). Finished electrical and electronic equipment products will be CE marked as required by Directive 2011/65/EU. Components may not be CE marked. Additionally, the part numbers that TE has identified as EU ELV compliant have a maximum concentration of 0.1% by weight in homogenous materials for lead, hexavalent chromium, and mercury, and 0.01% for cadmium, or qualify for an exemption to these limits as defined in the Annexes of Directive 2000/53/EC (ELV). Regarding the REACH Regulation, the information TE provides on SVHC in articles for this part number is based on the latest European Chemicals Agency (ECHA) 'Guidance on requirements for substances in articles' posted at this URL: <https://echa.europa.eu/guidance-documents/guidance-on-reach>

## Compatible Parts

 <p>TE Part # 1376478-2 2.5 SMC HDR 2POS WHITE (LP)</p>	 <p>TE Part # CAT-SI261-H342 STD Temp Signal Double Lock Header</p>	 <p>TE Part # 917731-1 2.5 S.D.L P.HDR ASY 11P H/PRO.</p>	 <p>TE Part # 1376478-3 2.5MM SIGNAL MATE CONN HEADER</p>
 <p>TE Part # 917789-1 2.5 S.D.L POST HDR ASY 11P STD</p>	 <p>TE Part # 1376478-4 2.5MM SIGNAL MATE CONN HEADER</p>		

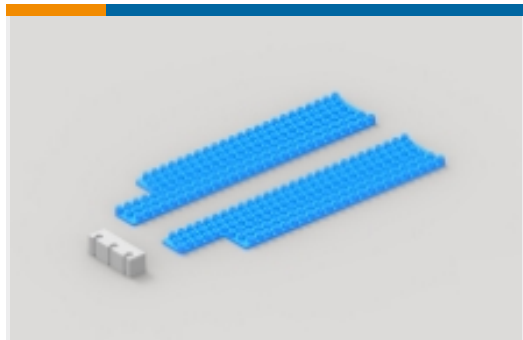
## Also in the Series | AMP Signal Double Lock



Connector Contacts(9)



Insertion & Extraction Tools(1)



PCB Connector Seals(1)



PCB Latches, Locks & Retainers(17)



Rectangular Caps & Covers(1)



Rectangular Connector Housings(23)



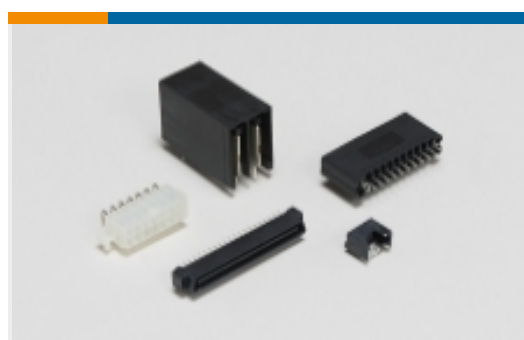
Rectangular Connector Locking(2)



Rectangular Connector Seals(10)



Rectangular Power Connectors(3)



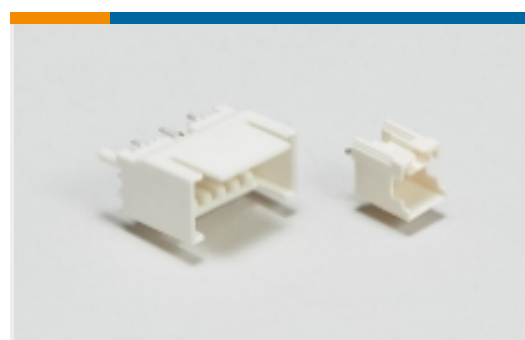
Standard Rectangular Connectors(1)



Wire-to-Board Connector Assemblies & Housings(74)



Wire-to-Board Connector Contacts(6)



Wire-to-Board Headers & Receptacles (157)

## Customers Also Bought



TE Part #316094-1  
2.5 SIGNAL D/LOCK CAP HSG 10P



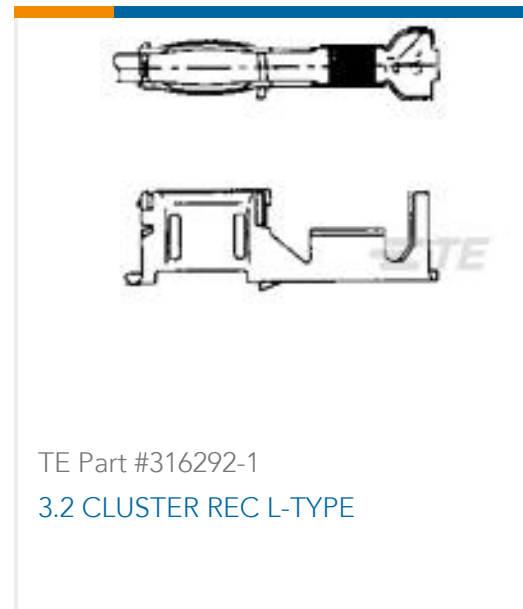
TE Part #36189  
BUDG R 22-16 COMM 22-18 MIL 4



TE Part #1625854-4  
1206 PROBE PAD



TE Part #1825910-7  
FSM4JAH=6MM TACT SWITCH, HIGH TEMP



## Documents

### CAD Files

3D PDF

3D

Customer View Model

[ENG\\_CVM\\_CVM\\_2108641-1\\_A.2d\\_dxf.zip](#)

English

Customer View Model

[ENG\\_CVM\\_CVM\\_2108641-1\\_A.3d\\_igs.zip](#)

English

Customer View Model

[ENG\\_CVM\\_CVM\\_2108641-1\\_A.3d\\_stp.zip](#)

English

By downloading the CAD file I accept and agree to the [Terms and Conditions](#) of use.

### Product Specifications

Product Specification

English



## X-ON Electronics

Largest Supplier of Electrical and Electronic Components

*Click to view similar products for [Power to the Board](#) category:*

*Click to view products by [TE Connectivity](#) manufacturer:*

Other Similar products are found below :

[6643429-1](#) [6646040-2](#) [6766604-1](#) [120959-1](#) [1393557-2](#) [1393532-2](#) [1393532-3](#) [1393532-4](#) [1393557-1](#) [1744132-7](#) [1892109-1](#) [1-6450850-6](#)  
[1-6450869-6](#) [1645526-2](#) [2005243-2](#) [377-0020-11130](#) [MC116N](#) [TE34-12-16P-F0](#) [51700-10201602AALF](#) [51970-004](#) [5-6450830-6](#) [4-](#)  
[6600333-3](#) [10125416-4050LF](#) [10130248-005LF](#) [6600320-3](#) [1888123-2](#) [701-15-02109](#) [6450810-7](#) [46437-1112](#) [6450813-2](#) [6450842-4](#)  
[10108877-R24403SLF](#) [1645523-1](#) [PSS-06-01-T-S](#) [FWS-03-04-T-S](#) [51760-10301603ABLF](#) [FWS-05-01-T-S](#) [51720-10206002AALF](#) [QE-](#)  
[POL-KEY](#) [FWS-08-01-T-S](#) [698-0075-04](#) [C10-642216-56P](#) [6651670-1](#) [MC120N](#) [2-1600788-6](#) [1761385-3](#) [46562-1175](#) [2221861-1](#) [HFWS-](#)  
[10-05-TM-S](#) [FWS-13-04-T-S-RA](#)