

4

3

2

1

THIS DRAWING IS UNPUBLISHED.

RELEASED FOR PUBLICATION

20

© COPYRIGHT 20 BY -

ALL RIGHTS RESERVED.

REVISIONS

P	LTR	DESCRIPTION	DATE	DWN	APVD
	A	RELEASED	14AUG2013	IC.K	JH.K
	B	REVISED	28OCT2013	IC.K	JH.K
	C	REVISED	30OCT2013	IC.K	JH.K
	D	REVISED	12NOV2013	IC.K	JH.K

∅ 0.8 REF
PICK UP AREA

2.05 REF
(PICK UP AREA)

AS SHOWN 2108693-4

STROKE CONDITION (REFERENCE)

RECOMMENDED PCB LAYOUT
(REFERENCE)

1 MATERIAL: COPPER ALLOY, THK.=0.08mm
 2 FINISH: Ni UNDER PLATING ALL OVER 0.8~3.0um.
 CONTACT PLATING: Au 0.1~0.4um
 SOLDER PLATING: Au FLASH 0.05~0.35um
 3. CUTTING BURR: 0.05mm MAX.

THIS DRAWING IS A CONTROLLED DOCUMENT.

DWN IC KANG 14AUG2013

CHK JH KIM 14AUG2013

APVD JH KIM 14AUG2013

PRODUCT SPEC

108-61201

APPLICATION SPEC

WEIGHT 0.0047

CUSTOMER DRAWING

TE Connectivity

NAME
SPRING FINGER 1.1H

SIZE CAGE CODE DRAWING NO RESTRICTED TO

A3 00779 C-2108693

SCALE 20:1 SHEET 1 OF 2 REV D

DIMENSIONS:

mm

TOLERANCES UNLESS
OTHERWISE SPECIFIED:

± 0.15

0-PLC ±
 1-PLC ±0.5
 2-PLC ±0.13
 3-PLC ±0.013
 4-PLC ±0.0001
 ANGLES ±

MATERIAL

FINISH

1470-19 (3/13)

4

3

2

1

THIS DRAWING IS UNPUBLISHED.

RELEASED FOR PUBLICATION

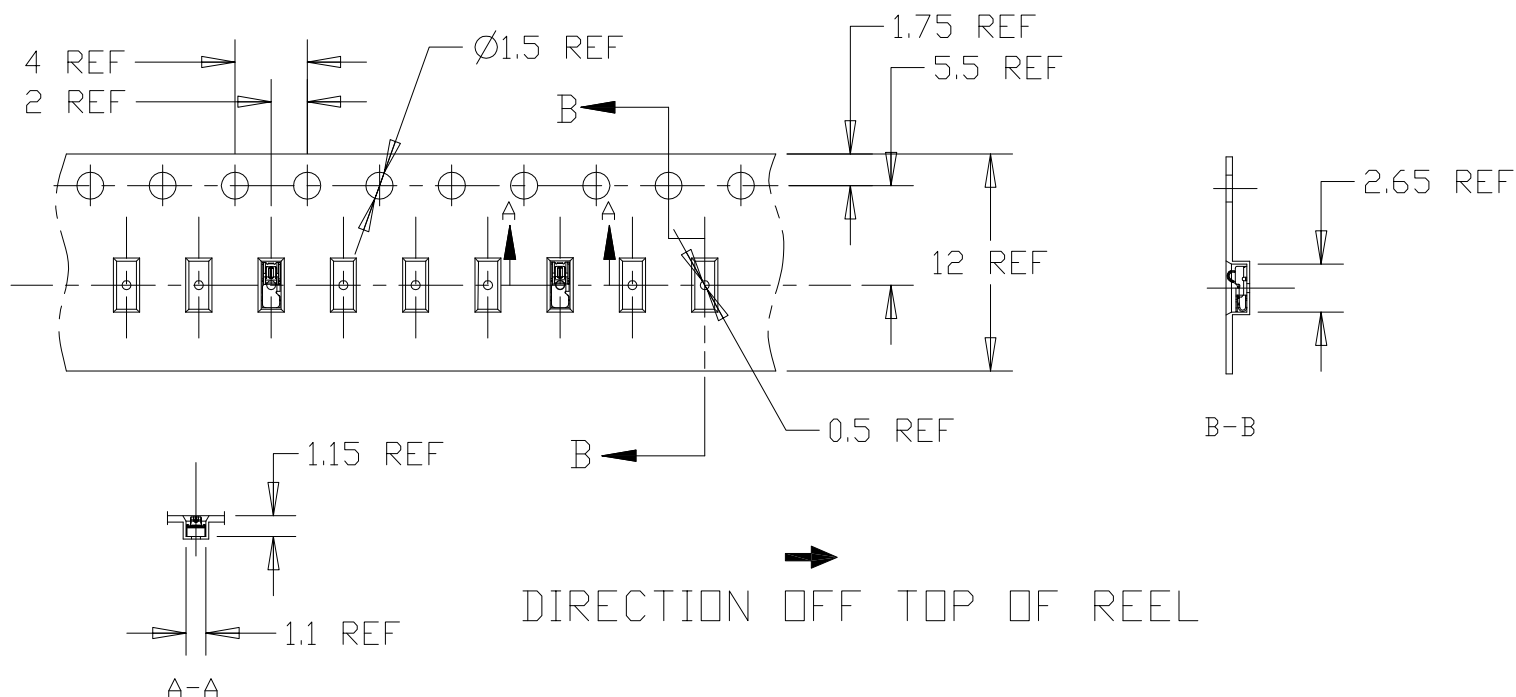
20

© COPYRIGHT 20 BY -

ALL RIGHTS RESERVED.

REVISIONS

P	LTR	DESCRIPTION	DATE	DWN	APVD
		SEE SHEET 1			



TE

EAG63730501-YYYYMMDD-*****-HK000120
 SPEC: 1.1H SPRING FINGER WITH EMBOSS
 Company Name: TE CONNECTIVITY
 Tyco Part Number :2108693-4

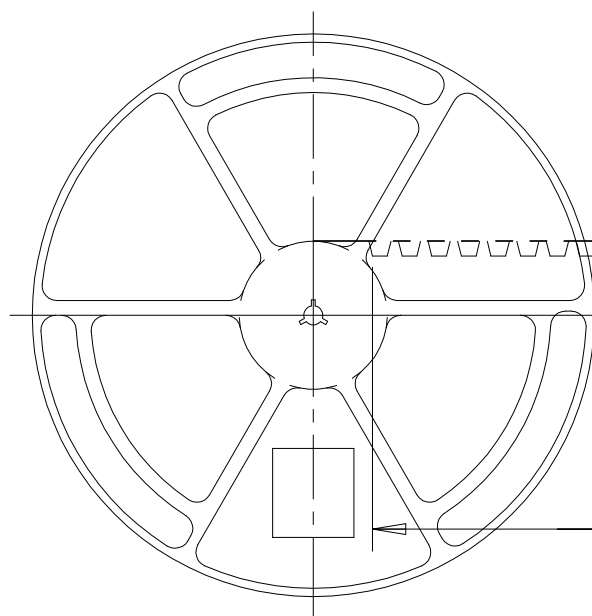
RoHS H/F

FMT2C030

- 1. LG PART NO.
- 2. FINAL INSPECTION(YYYMMDD)
- 3. VENDOR PRODUCTION LOT NO.
- 4. VENDOR CODE

Ø100 REF
FLANGE CORE DIA.

Ø330 REF
REEL DIA.



WEEDING THE COVER TAPE
AROUND THE OUTER
PERIPHERY IN
A TURN.

165°~180°
PEELING ANGLE
0.1~1.0 N
PEELING FORCE

WITH PRODUCT CHARGE
9000/1REEL

WITHOUT CHARGE
400mm REF.

160mm REF
WITHOUT CHARGE

13.4 REF
19.4 REF
REEL WIDTH

THIS DRAWING IS A CONTROLLED DOCUMENT.

DIMENSIONS: mm	TOLERANCES UNLESS OTHERWISE SPECIFIED: ± 0.15
	0-PLC ±
	1-PLC ±0.5
	2-PLC ±0.13
	3-PLC ±0.013
	4-PLC ±0.0001
	ANGLES ±
MATERIAL -	FINISH -

DWN	IC KANG	14AUG2013
CHK	JH KIM	14AUG2013
APVD	JH KIM	14AUG2013
PRODUCT SPEC	108-XXXXX	
APPLICATION SPEC	-	
WEIGHT	-	
CUSTOMER DRAWING		

TE TE Connectivity

SPRING FINGER 1.1H

NAME	SIZE	CAGE CODE	DRAWING NO	RESTRICTED TO
	A3	00779	C=2108693	-
SCALE		SHEET		REV
20:1		2 OF 2		D

X-ON Electronics

Largest Supplier of Electrical and Electronic Components

Click to view similar products for [EMI Gaskets, Sheets, Absorbers & Shielding](#) category:

Click to view products by [TE Connectivity](#) manufacturer:

Other Similar products are found below :

[8101010140](#) [8563-0090-89](#) [1194-7.7X10](#) [1245-34"X18YD](#) [1267](#) [1345-3/8x18yrd](#) [1554907-1](#) [2320002000](#) [2320014700](#) [SG293037DS](#)
[ST005PCN50](#) [55005107](#) [38M4040AA0606](#) [46J5N02020.NN00](#) [1125-8X10](#) [1126X1"](#) [1170-3/4X18YDS](#) [1170-7.7x10](#) [1183-12"X18YD](#) [6-](#)
[34T-BD-0.315](#) [SG125187D-24](#) [SG125250R-24](#) [SG187375R-24](#) [SG284050DS](#) [8402010540](#) [KIT TECH CLIP](#) [1194](#) [10-40450-28S](#) [1245](#)
[1267-1/2"x18yd](#) [46J8501020.NN00](#) [1170-1/4"x18yd](#) [AL-36FR-1x54.5](#) [3013310A](#) [1194X1"](#) [3020604](#) [3021302](#) [3031313](#) [260709](#) [3021310](#) [6-](#)
[34UT-070-BD-16](#) [303076048](#) [46J5N03020.NN00](#) [30206025](#) [30395641](#) [3030403](#) [3690103020](#) [HNY-LT15CU4241](#) [46X7503020.NN00](#)
[46W5E02520.NN00](#)