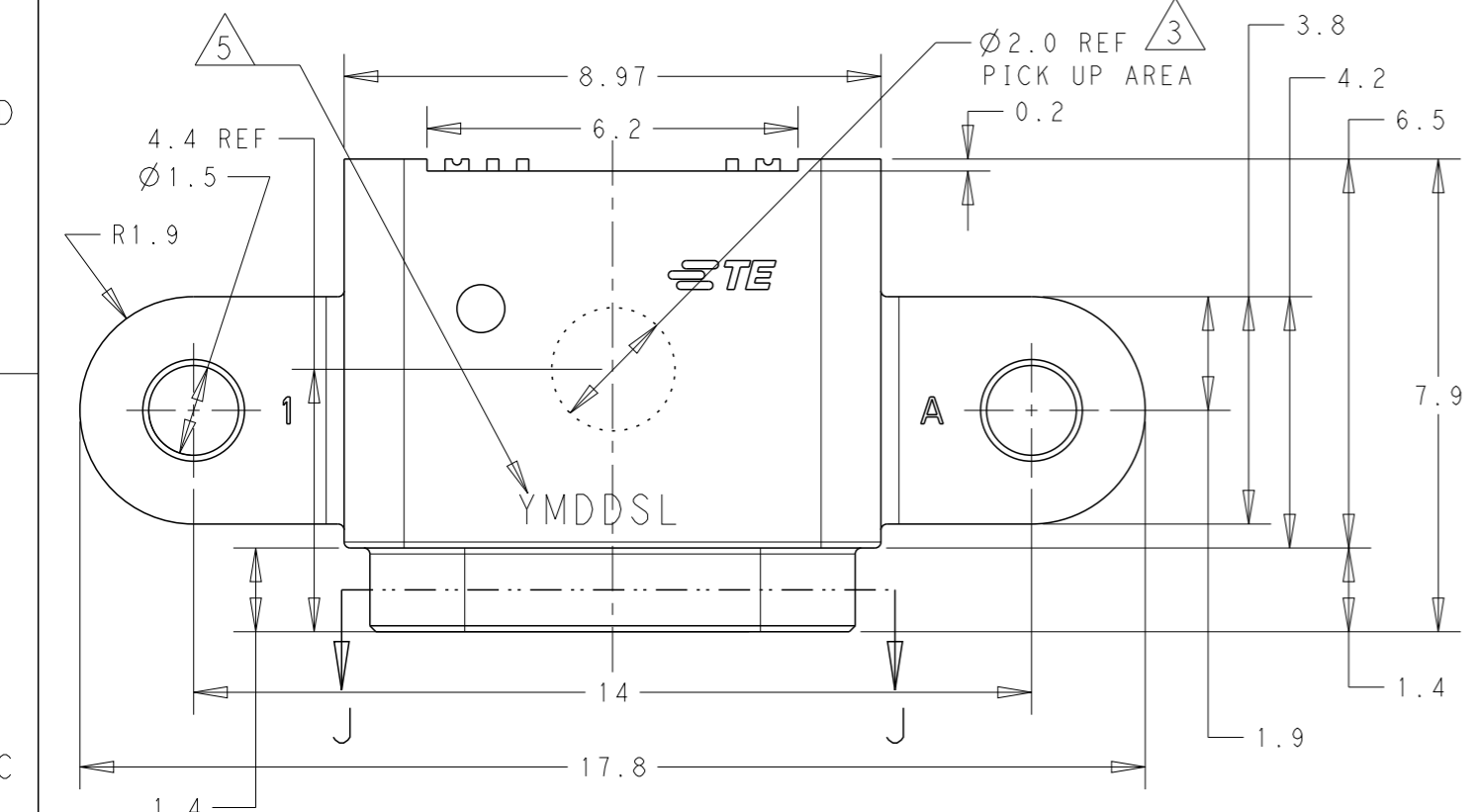


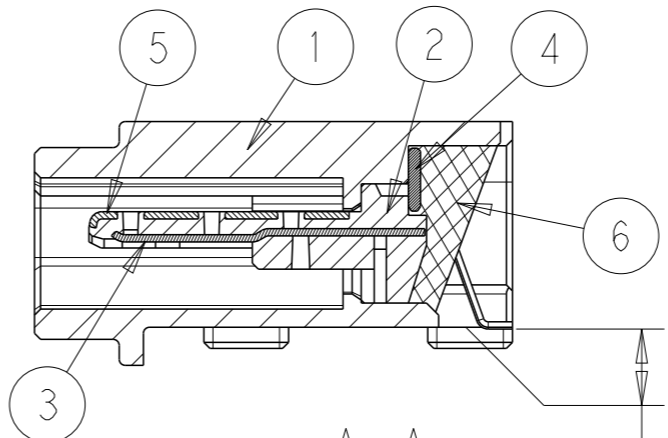
THIS DRAWING IS UNPUBLISHED. RELEASED FOR PUBLICATION 20  
© COPYRIGHT 20 BY - ALL RIGHTS RESERVED.

REVISIONS

P	LTR	DESCRIPTION	DATE	DWN	APVD
I		RELEASED	15JUL2014	YJ.C	JH.K
A		REVISED	30SEP2014	YJ.C	JH.K
B		REVISED	25NOV2014	YJ.C	JH.K

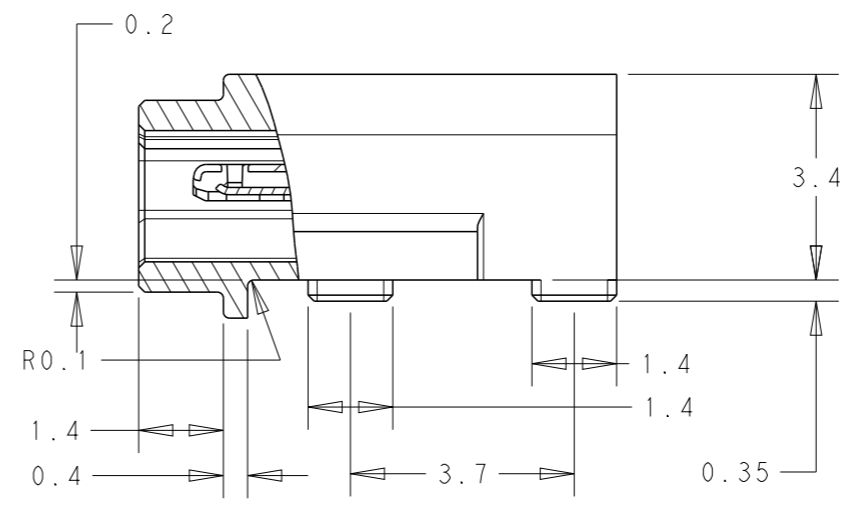
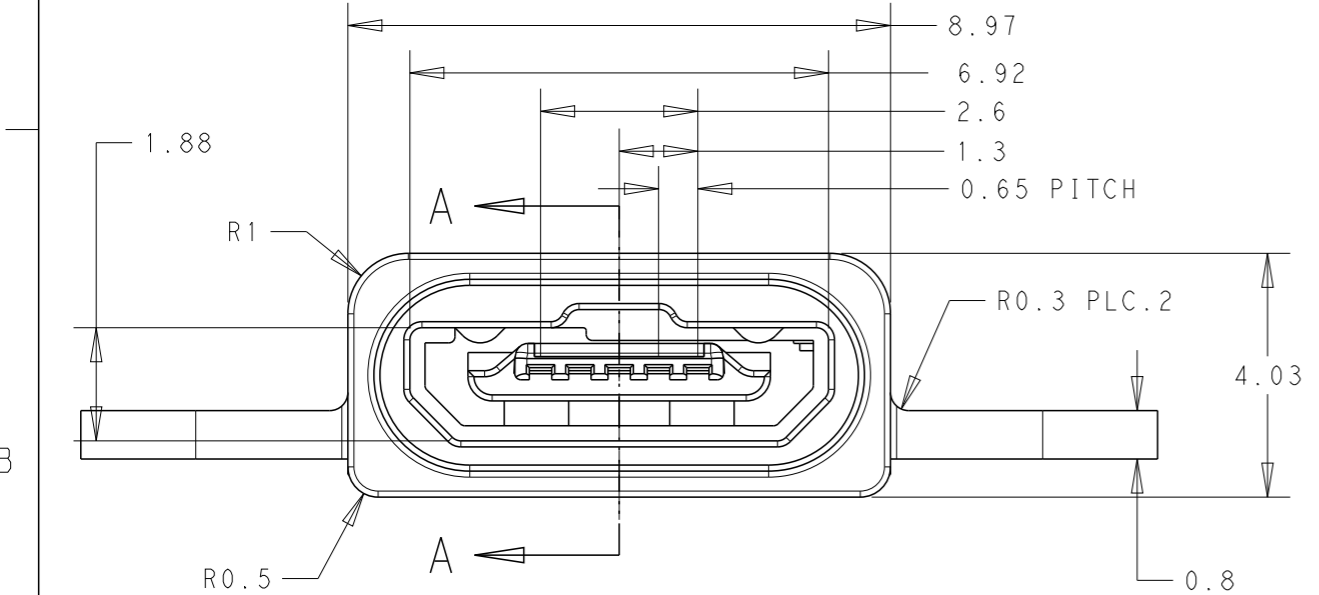


- 1. MATERIAL : SEE TABLE
- 2. FINISH : SEE TABLE
- 3. PICKING AREA
- 4. COPLANARITY : 0.1mm MAX
- 5. DATE CODE : 6 DIGITS(YMDDSL)  
: Y-YEAR, M-MONTH,  
DD-DAY, S-SHIFT, L-LINE.
- 6. PACKING QUANTITY : 1,000 PCS/REEL

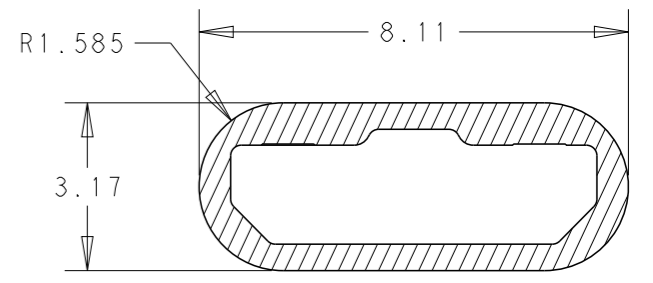


SECTION A-A  
SCALE 8:1

ALL CONTACT TINES



SECTION A-A




SECTION J-J  
SCALE 7:1

<REFER TO ASSEMBLY SEALING>

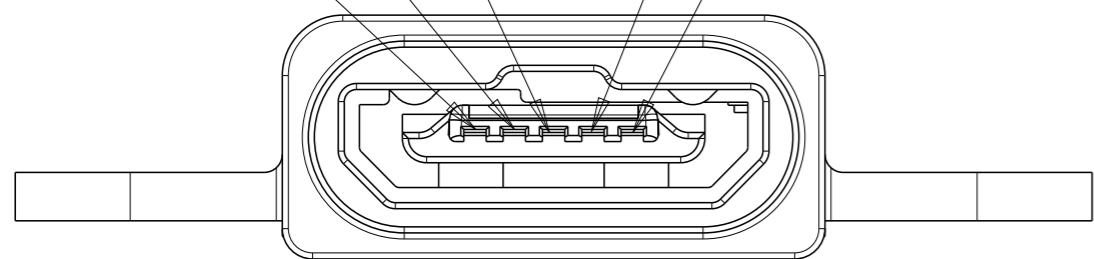
SHOWN AS : 2108877-1

6	POTTING	SILICONE	BLACK
5	REINFORCEMENT	STAINLESS STEEL	DEGREASING
4	HOLD PLATE	STAINLESS STEEL	DEGRESS
3	USB-CONTACT	COPPER ALLOY	Ni 1.0um~5.0um ALL OVER Au 0.05um MIN. + Ni-Pd 0.75um MIN. AT CONTACT AREA Au 0.05um MIN. AT SOLDERING AREA
2	INSERT-MOLD	THERMO PLASTIC	BLACK
1	MIM SHELL	STAINLESS STEEL	Ni 0.2um~5.0um ALL OVER
NO	DESCRIPTION	1 MATERIAL	2 FINISH

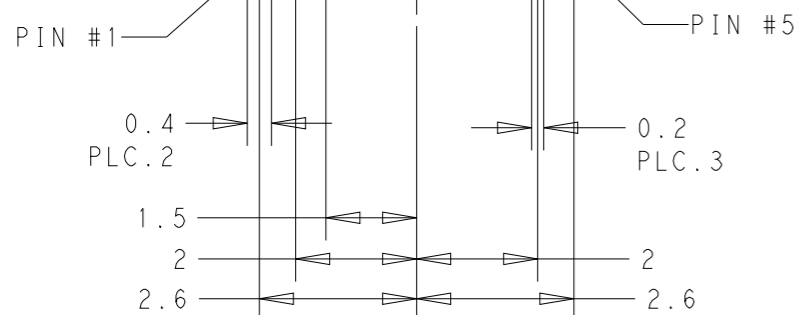
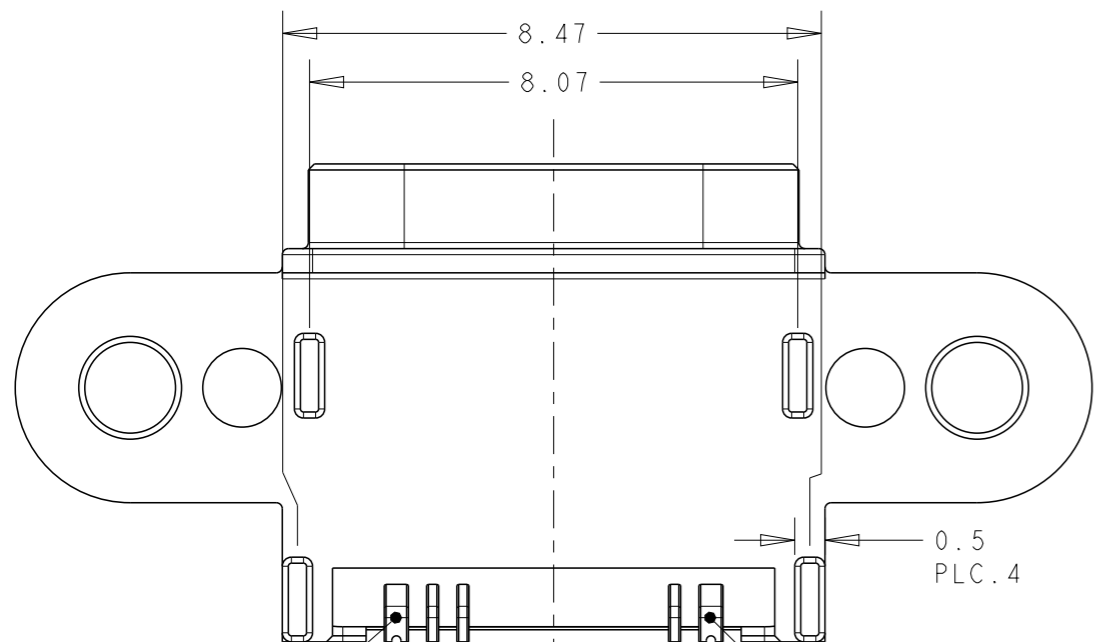
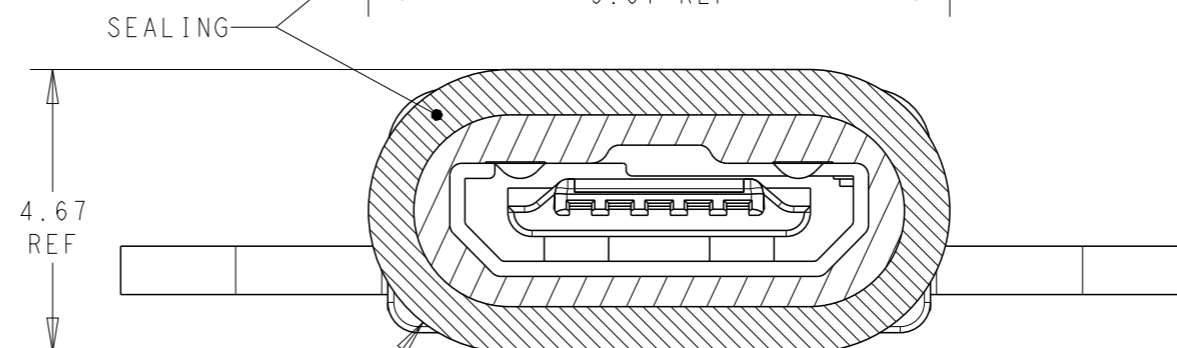
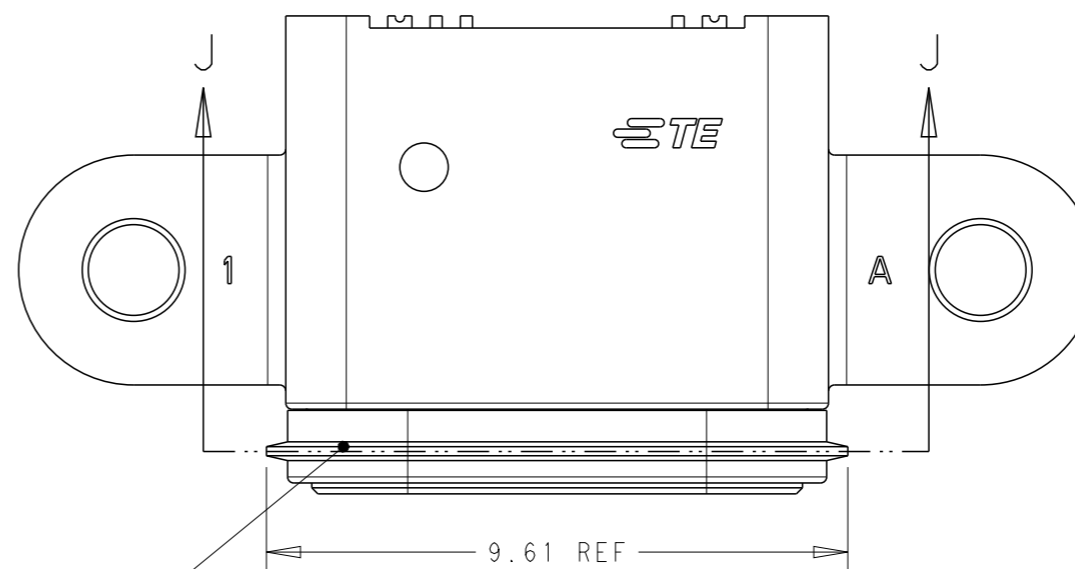
THIS DRAWING IS A CONTROLLED DOCUMENT.		DWN YJ.C 15JUL2014	 TE Connectivity	
DIMENSIONS: mm		CHK HJ.L 15JUL2014		
TOLERANCES UNLESS OTHERWISE SPECIFIED: ±0.2		APVD JH.K 15JUL2014	NAME	
Ø PLC ± 1 PLC ± 2 PLC ± 3 PLC ± 4 PLC ± ANGLES ±5°		PRODUCT SPEC 108-61223	Micro USB RECEPTACLE	
MATERIAL 1		APPLICATION SPEC 114-XXXXX	5POSITION STANDARD ON BOARD	
FINISH 2		WEIGHT -	WATER PROOF	
		CUSTOMER DRAWING	SIZE A3	RESTRICTED TO -
			CAGE CODE 00779	
			DRAWING NO C-2108877	
			SCALE 8:1	
			SHEET 1 OF 4	
			REV B	

P	LTR	DESCRIPTION	DATE	DWN	APVD

PIN #3  
 PIN #2  
 PIN #1  
 PIN #4  
 PIN #5




AFTER ASSEMBLY SEALING

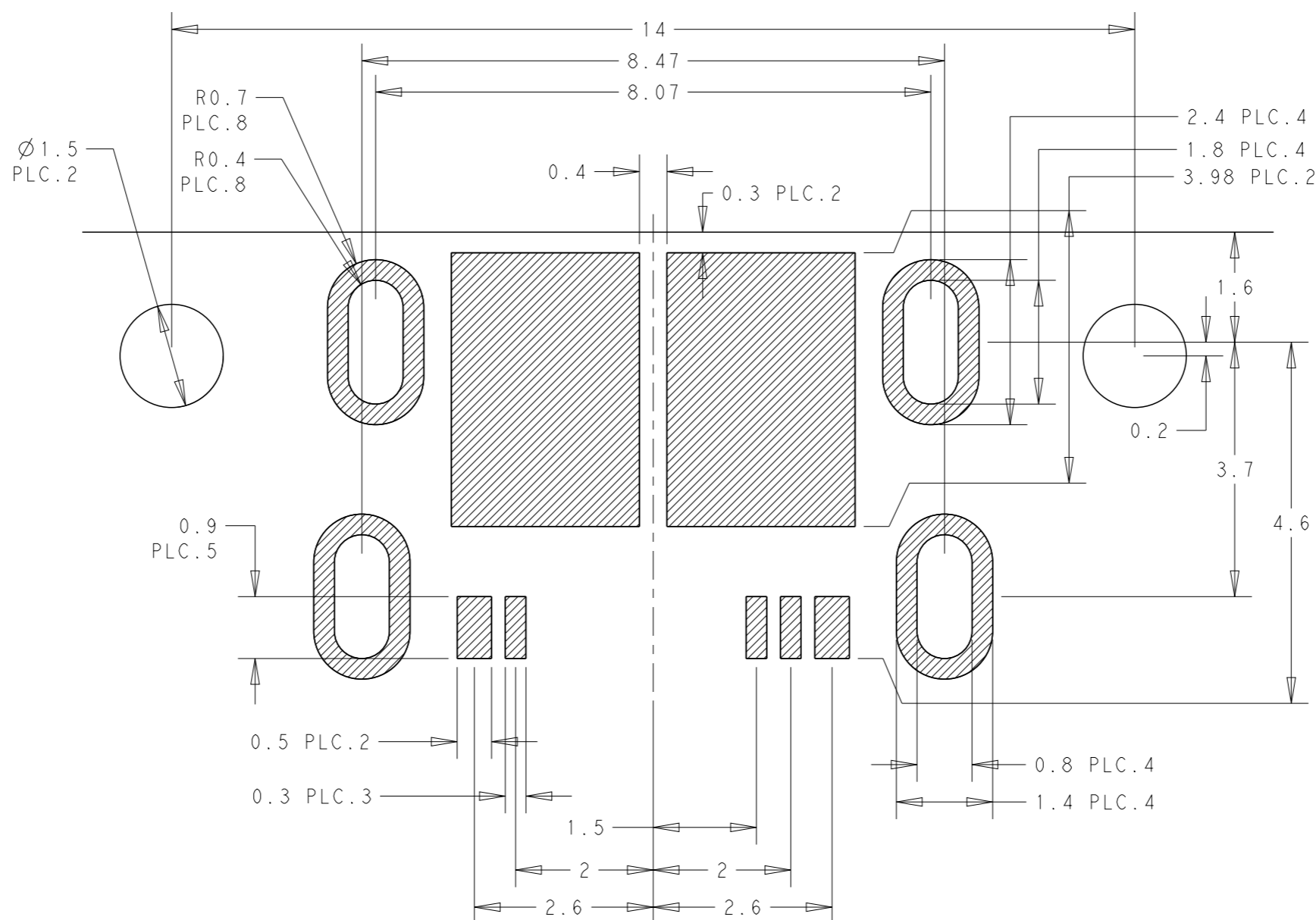


REFERENCE PIN ASSIGNMENT




5	micro USB PIN 5	GND
4	micro USB PIN 4	ID
3	micro USB PIN 3	D+
2	micro USB PIN 2	D-
1	micro USB PIN 1	VBUS
PIN #	CONTACT NO.	SIGNAL NAME (ASSIGNMENT)

THIS DRAWING IS A CONTROLLED DOCUMENT.		DWN YJ.C 15JUL2014	 TE Connectivity NAME Micro USB RECEPTACLE 5POSITION STANDARD ON BOARD WATER PROOF	RESTRICTED TO	
DIMENSIONS: mm		CHK HJ.L 15JUL2014		SIZE	
TOLERANCES UNLESS OTHERWISE SPECIFIED: ±0.2		APVD JH.K 15JUL2014		CAGE CODE	
0 PLC ± 1 PLC ± 2 PLC ± 3 PLC ± 4 PLC ± ANGLES ±5° FINISH		PRODUCT SPEC 108-61223		DRAWING NO	
MATERIAL 1	FINISH 2	APPLICATION SPEC 114-XXXXX	WEIGHT -		
CUSTOMER DRAWING			A300779		
SCALE 8:1					
SHEET 2 OF 4					
REV B					

P	LTR	DESCRIPTION	DATE	DWN	APVD



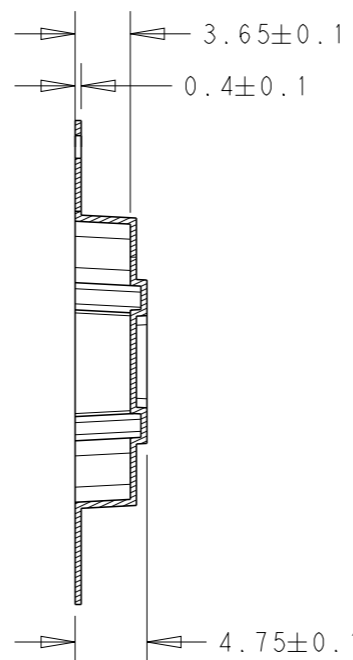
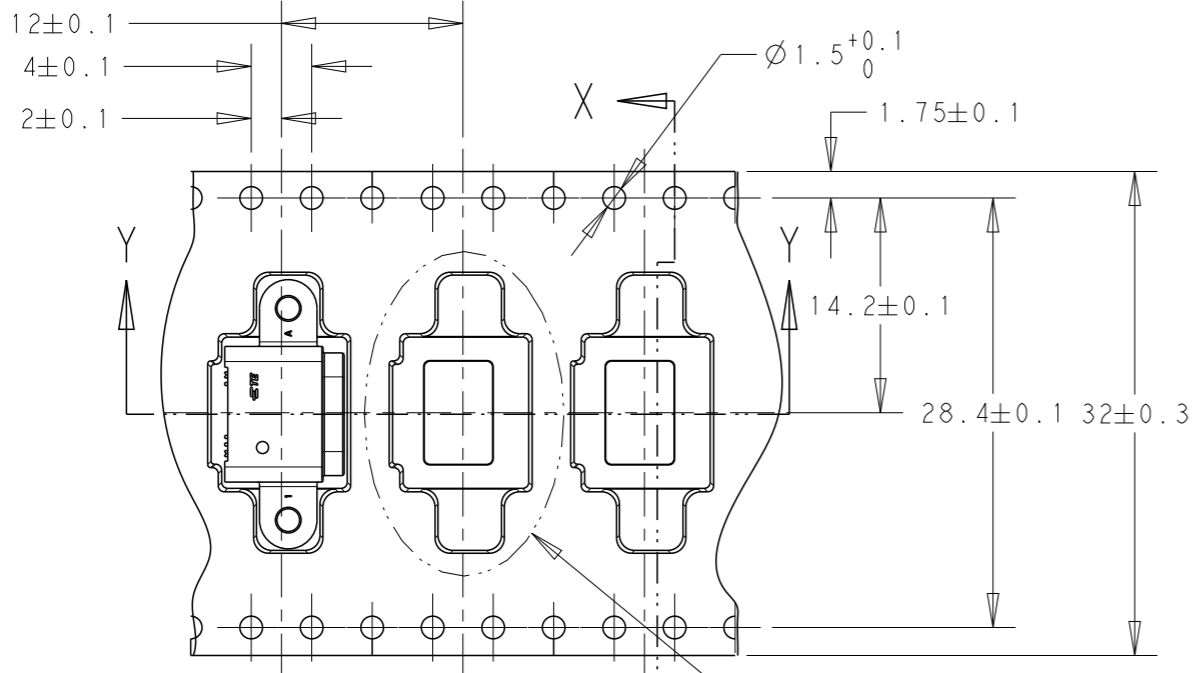
RECOMMENDED PCB LAYOUT  
TOP VIEW  
(GENERAL TOLERANCE : ±0.05)

THIS DRAWING IS A CONTROLLED DOCUMENT.		DWN YJ.C	15JUL2014	 <b>TE Connectivity</b>	
DIMENSIONS: mm		CHK HJ.L	15JUL2014		
		APVD JH.K	15JUL2014		
		PRODUCT SPEC 108-61223	NAME Micro USB RECEPTACLE 5POSITION STANDARD ON BOARD WATER PROOF		
TOLERANCES UNLESS OTHERWISE SPECIFIED: ±0.2		APPLICATION SPEC 114-XXXXX	WEIGHT -	SIZE A3	CAGE CODE 00779
<ul style="list-style-type: none"> <li>Ø PLC ±</li> <li>1 PLC ±</li> <li>2 PLC ±</li> <li>3 PLC ±</li> <li>4 PLC ±</li> <li>ANGLES ±5°</li> </ul>		FINISH	2	DRAWING NO C=2108877	RESTRICTED TO -
MATERIAL 1		CUSTOMER DRAWING		SCALE 8:1	SHEET 3 OF 4
				REV B	

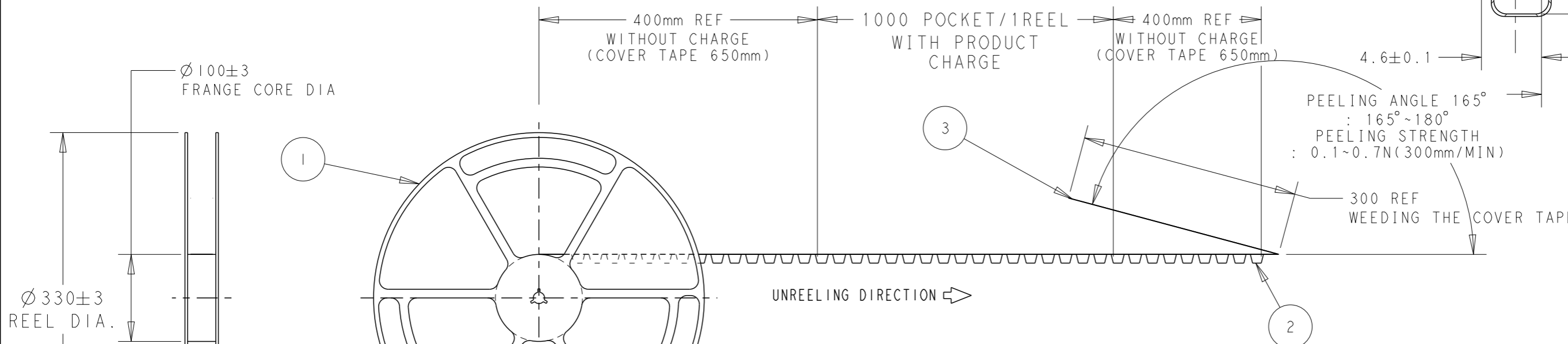
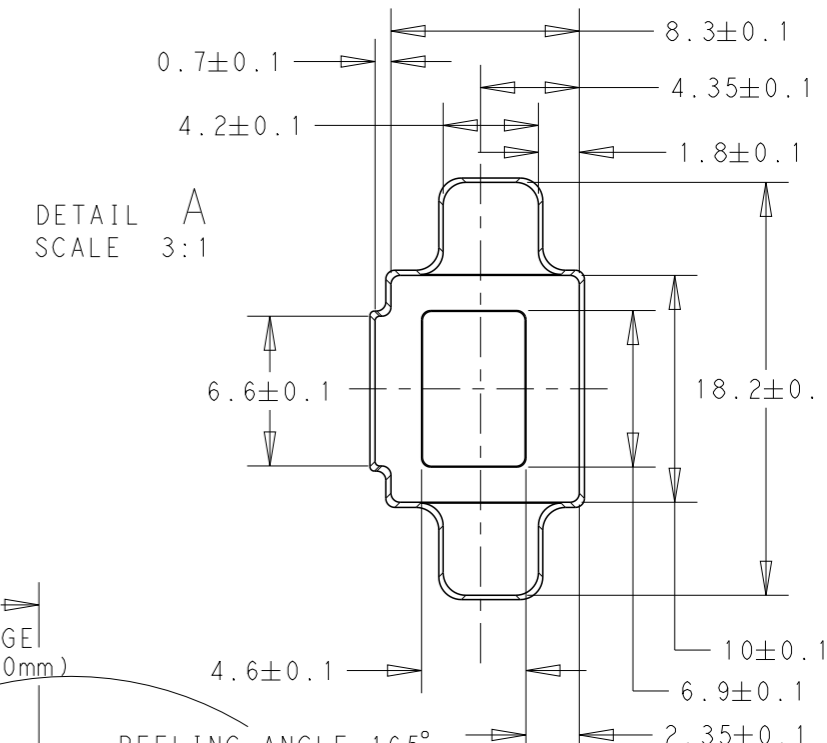
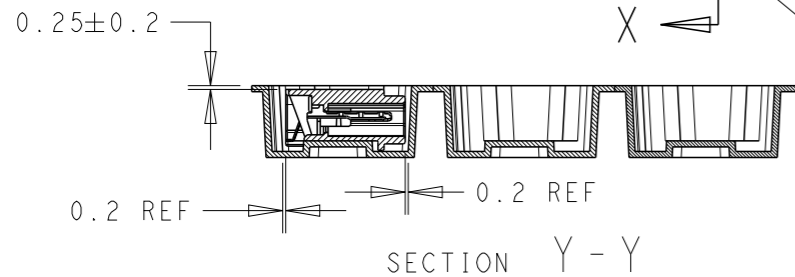
REVISIONS

P	LTR	DESCRIPTION	DATE	DWN	APVD
		SEE SHEET 1			

PRODUCT USER DIRECTION OF UNREELING →



- MATERIAL ANTI STATIC MATERIAL SHOULD BE USED. PS(NATURAL) REEL SHOULD BE APPLIED.
- MATERIAL/COMPONENTS WHICH CONTAIN PROHIBITION SUBSTANCES WHICH ARE DESCRIBED IN THE TABLE 1 OF 4.2, ENVIRONMENT RELATED SUBSTANCE CONTROL STANDARD ON 14-2.5.0.6, MUST NOT BE USED IN PRODUCT NOR MANUFACTURING PROCESS.
- CADMIUM CONTENT: 5ppm UNDER. (ONLY PLASTIC/RUBBER) : QIP INSPECTION ITEM. (ONLY PLASTIC/RUBBER)
- NO SCRATCH AND STAIN ON SHELL
- COVER TAPE IS THERMO-COMPRESSION SEALING(BONDING)
- ESD OF REEL COVER TAPE IS 100V MAX
- SURFACE RESISTANCE OF REEL COVER TAPE IS 1X10<sup>5</sup> ~ 1X10<sup>12</sup> ohm



Ø100±3 FRANGE CORE DIA

Ø330±3 REEL DIA.

32.4  
38.4 MAX REEL WIDTH

THIS DRAWING IS A CONTROLLED DOCUMENT.		DWN Y.J.C 15JUL2014	<b>STE</b> TE Connectivity	
		CHK H.J.L 15JUL2014		
DIMENSIONS: mm		APVD J.H.K 15JUL2014	NAME	
TOLERANCES UNLESS OTHERWISE SPECIFIED: ±0.2		PRODUCT SPEC 108-61223	Micro USB RECEPTACLE	
Ø PLC ± 1 PLC ± 2 PLC ± 3 PLC ± 4 PLC ± ANGLES ±5°		APPLICATION SPEC 114-XXXXX	5POSITION STANDARD ON BOARD	
MATERIAL 1		WEIGHT -	SIZE A3	CAGE CODE 00779
FINISH 2		CUSTOMER DRAWING	DRAWING NO C-2108877	RESTRICTED TO -
		SCALE 8:1	SHEET 4 OF 4	REV B

## X-ON Electronics

Largest Supplier of Electrical and Electronic Components

*Click to view similar products for [USB Connectors](#) category:*

*Click to view products by [TE Connectivity](#) manufacturer:*

Other Similar products are found below :

[65-647-8-BK-BU](#) [950](#) [952](#) [E8144-B01021-L](#) [A-USB B-TOP-C](#) [MUSBA511N5](#) [MUSBD11135](#) [217450-1](#) [KMBVX-TH-5S-B30](#) [896-30-004-00-000000](#) [KUSBVX-BS1N-W30](#) [KUSBX-AP-KIT-SCBLK](#) [KUSBX-AS2N-W](#) [KUSBX-SMT2AP1S-W](#) [KUSBX-SMT2AP1S-W30](#) [935](#) [957](#) [30-498-6](#) [SK-60A-2](#) [17-210051](#) [1734082-1](#) [30-1574](#) [30-470](#) [30-489](#) [30-541](#) [30-572-3](#) [A-USB A-2P-C](#) [MIKROE-1451](#) [USBFTV2PEM2G](#) [USBFTVC6ZN](#) [KUSBX-AS2N-W30](#) [KUSBX-SLAS1N-W](#) [KUSBX-SMT-AS1N-W30](#) [4689-1](#) [1-1734084-2](#) [E8110-001-01](#) [33UBARS1-04SW11](#) [33UBAR-04SW11](#) [USBF21ZNSCC](#) [USBBFTV6ZC](#) [10135326-001LF](#) [USB-A-S-F-B-VT](#) [925](#) [4198](#) [690-024-633-031](#) [KUSBEX-BSFS1N-W](#) [USBFTVC6MRG](#) [UA-20BMFA-SL8001](#) [17-250101](#) [USBFTVC7ZC](#)