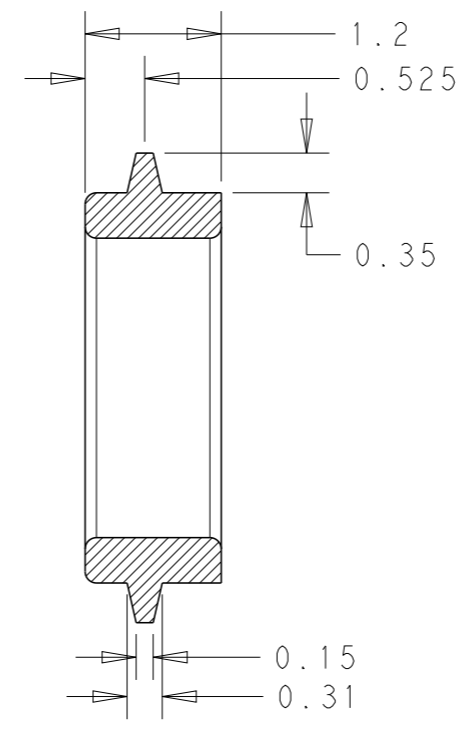
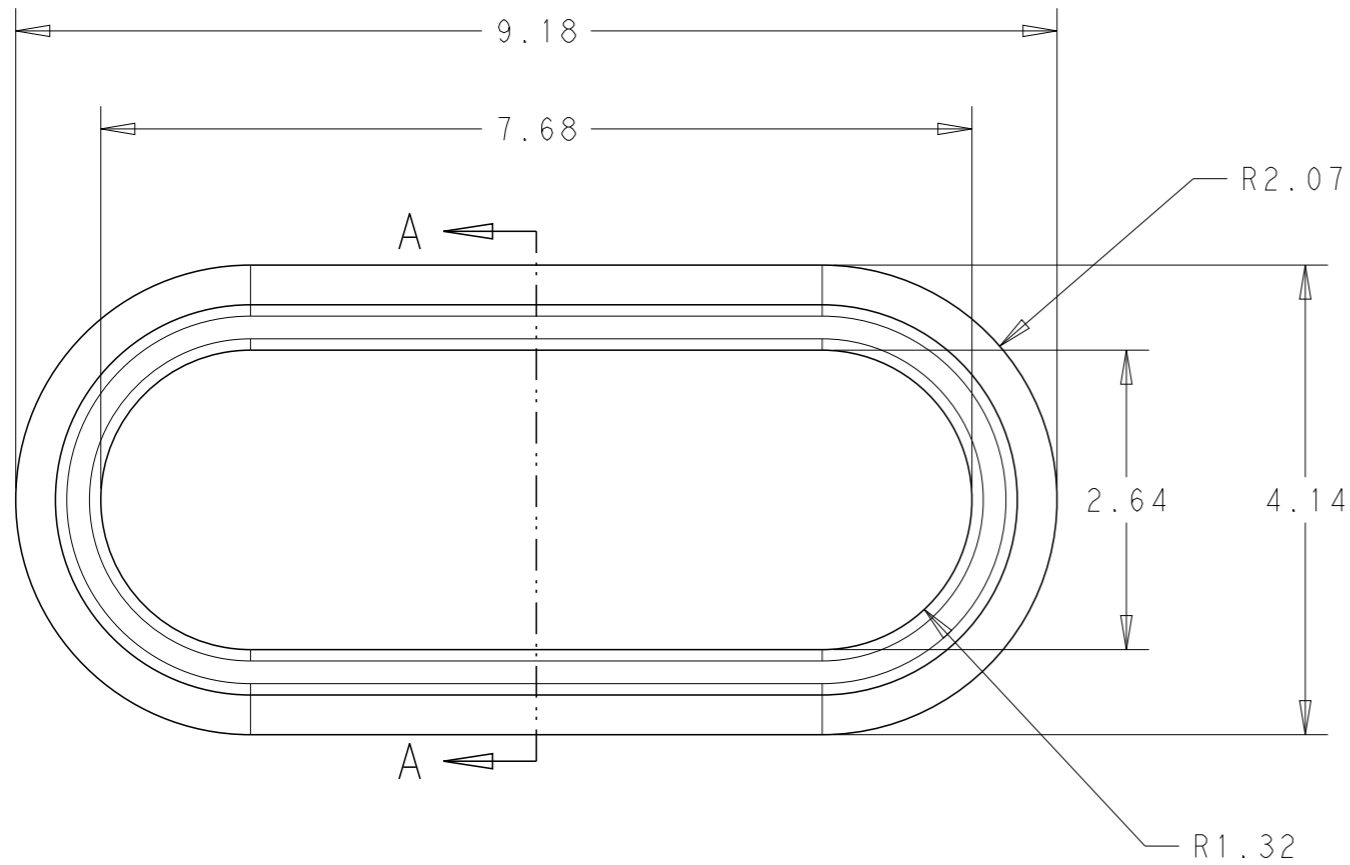


REVISIONS

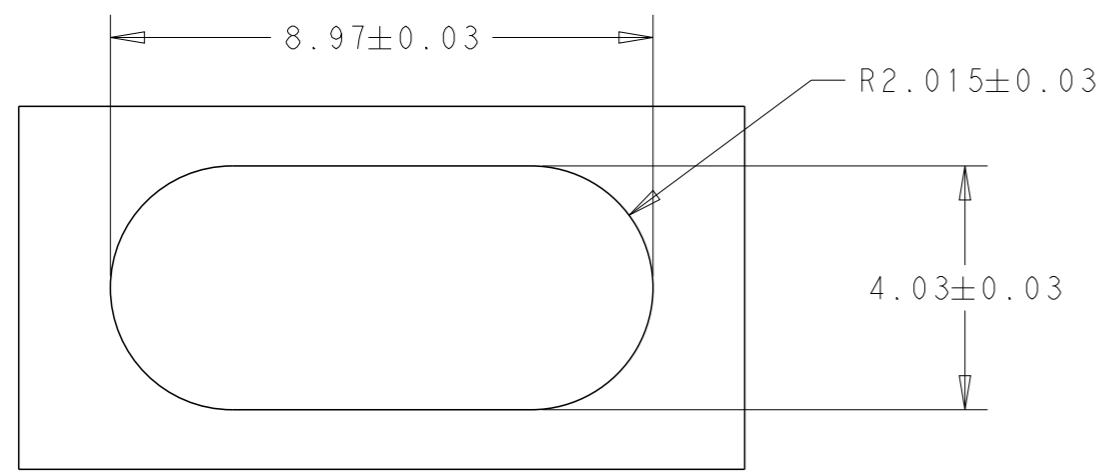
P	LTR	DESCRIPTION	DATE	DWN	APVD
0		RELEASED	04SEP2014	YJ.C	JH.K
I		REVISED	20OCT2014	YJ.C	JH.K
A		REGISTRATION(DM-TECH)	04NOV2014	YJ.C	JH.K



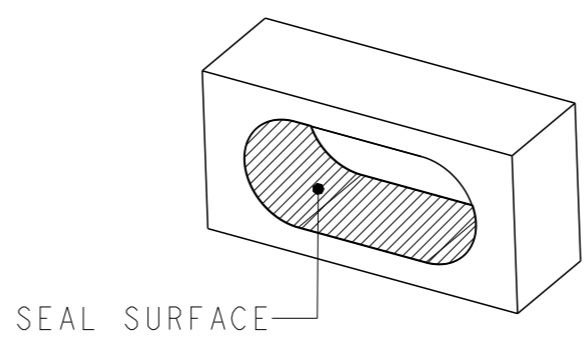
1. MATERIAL : SILICONE
2. COLOR : BLACK
3. PARTING LINE'S BURR:0.2 MAX.
4. TOLERANCE : ±0.2
5. SEALING DESIGN IS REFERENCE AND CAN BE CUSTOMIZED.
6. THIS SEALING MEETS TE TEST SPECIFICATION 108-61242. SEALING PERFORMANCE CAN VARY ACCORDING TO DEVICE STRUCTURE, TEST CONDITION.

SECTION A - A

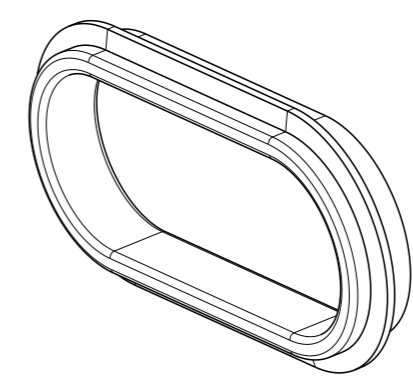
RECOMMENDED SET CASE



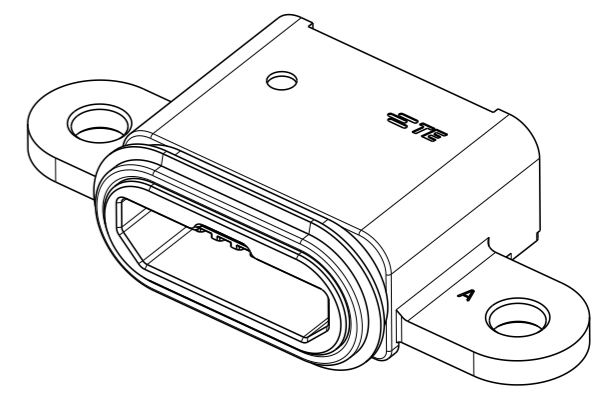
<SEAL SURFACE>
 - SURFACE ROUGHNESS : Ra1.6 MAX
 - NO PARTING LINE



SET CASE FOR REFERENCE



SEALING ISO VIEW



AFTER ASSEMBL SEALING

THIS DRAWING IS A CONTROLLED DOCUMENT.		DWN YJ.C	04SEP2014	STE TE Connectivity	
		CHK HJ.L	04SEP2014		
		APVD JH.K	04SEP2014	NAME SEALING FOR Micro USB RECEPTACLE 5POS WATER PROOF	
DIMENSIONS: mm		TOLERANCES UNLESS OTHERWISE SPECIFIED: ±0.2		PRODUCT SPEC 108-61242	
		0 PLC ± 1 PLC ± 2 PLC ± 3 PLC ± 4 PLC ± ANGLES ±5°		APPLICATION SPEC 114-XXXXX	
MATERIAL 1		FINISH		WEIGHT -	
CUSTOMER DRAWING				SIZE A3	CAGE CODE 00779
				DRAWING NO C-2108883	RESTRICTED TO -
				SCALE 15:1	SHEET 1 OF 1
				REV A	

X-ON Electronics

Largest Supplier of Electrical and Electronic Components

Click to view similar products for [USB Connectors](#) category:

Click to view products by [TE Connectivity](#) manufacturer:

Other Similar products are found below :

[65-647-8-BK-BU](#) [950](#) [952](#) [E8144-B01021-L](#) [A-USB B-TOP-C](#) [MUSBA511N5](#) [MUSBD11135](#) [217450-1](#) [KMBVX-TH-5S-B30](#) [896-30-004-00-000000](#) [KUSBVX-BS1N-W30](#) [KUSBX-AP-KIT-SCBLK](#) [KUSBX-AS2N-W](#) [KUSBX-SMT2AP1S-W](#) [KUSBX-SMT2AP1S-W30](#) [935](#) [957](#) [30-498-6](#) [SK-60A-2](#) [17-210051](#) [1734082-1](#) [30-1574](#) [30-470](#) [30-489](#) [30-541](#) [30-572-3](#) [A-USB A-2P-C](#) [MIKROE-1451](#) [USBFTV2PEM2G](#) [USBFTVC6ZN](#) [KUSBX-AS2N-W30](#) [KUSBX-SLAS1N-W](#) [KUSBX-SMT-AS1N-W30](#) [4689-1](#) [1-1734084-2](#) [E8110-001-01](#) [33UBARS1-04SW11](#) [33UBAR-04SW11](#) [USBF21ZNSCC](#) [USBBFTV6ZC](#) [10135326-001LF](#) [USB-A-S-F-B-VT](#) [925](#) [4198](#) [690-024-633-031](#) [KUSBEX-BSFS1N-W](#) [USBFTVC6MRG](#) [UA-20BMFA-SL8001](#) [17-250101](#) [USBFTVC7ZC](#)