

THIS DRAWING IS UNPUBLISHED.

RELEASED FOR PUBLICATION

ALL RIGHTS RESERVED.

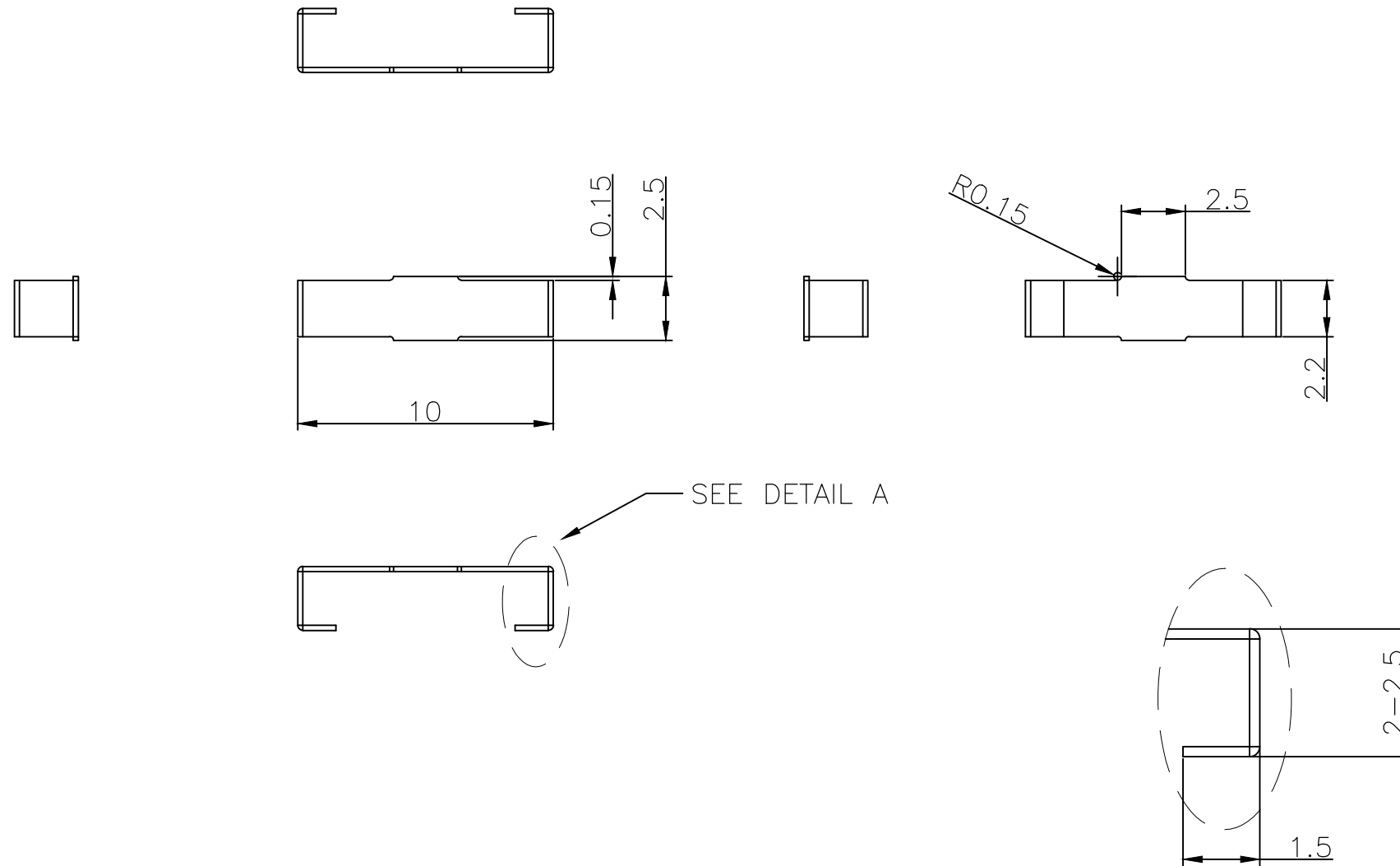
© COPYRIGHT - TE Connectivity Ltd.

REVISIONS

P	LTR	DESCRIPTION	DATE	DWN	APVD
	C	REVISED PER ECO-20-000891	14JAN2019	SJ	JH

GENERAL TOLERANCE : ±0.1

AS SHOWN 2108964-1



DETAIL A
SCALE 8:1

NOTE

- ① Material : Electrolytic Tin Plate
- 2. Thickness : 0.2 t
- ③ Finish (Plating Spec.)
 - Under Ni Plating : 1~3um micro meter
 - Matt Tin Ni Plating : 2~5um micro meter
- 4. PACKING MATERIAL MUST BE TAPE AND REEL

THIS DRAWING IS A CONTROLLED DOCUMENT.		DWN SJ.NOH	24MAY2017	TE Connectivity														
DIMENSIONS: mm		CHK	-															
TOLERANCES UNLESS OTHERWISE SPECIFIED:		APVD JH.KIM	24MAY2017	NAME														
		PRODUCT SPEC		STAMPING ELEMENT FOR WIFI ANTENNA														
<table border="0"> <tr><td>0 PLC</td><td>± -</td></tr> <tr><td>1 PLC</td><td>± -</td></tr> <tr><td>2 PLC</td><td>± -</td></tr> <tr><td>3 PLC</td><td>± -</td></tr> <tr><td>4 PLC</td><td>± -</td></tr> <tr><td>ANGLES</td><td>± -</td></tr> </table>		0 PLC	± -	1 PLC	± -	2 PLC	± -	3 PLC	± -	4 PLC	± -	ANGLES	± -	APPLICATION SPEC		RESTRICTED TO		
0 PLC	± -																	
1 PLC	± -																	
2 PLC	± -																	
3 PLC	± -																	
4 PLC	± -																	
ANGLES	± -																	
MATERIAL		WEIGHT		SIZE	CAGE CODE	DRAWING NO												
-		0.1[g]		A3	00779	C-2108964												
FINISH		CUSTOMER DRAWING		SCALE	SHEET	REV												
-				1:1	1 OF 2	C												

THIS DRAWING IS UNPUBLISHED.

RELEASED FOR PUBLICATION

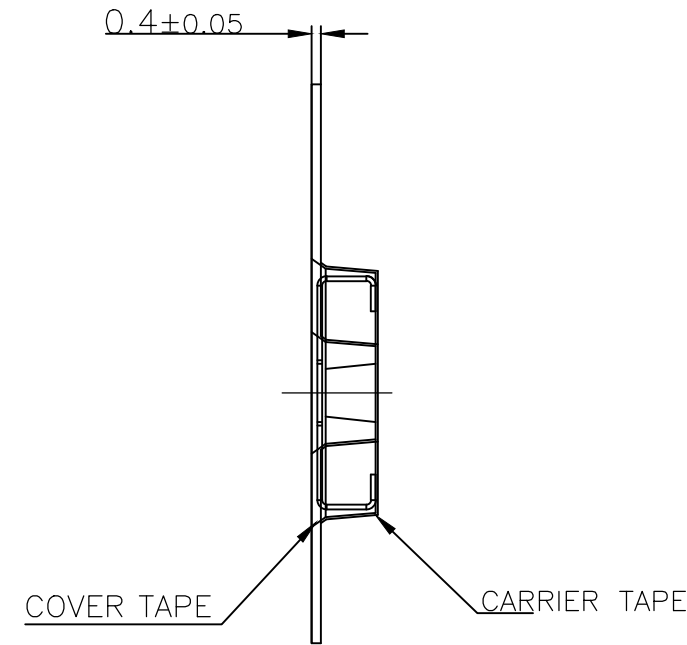
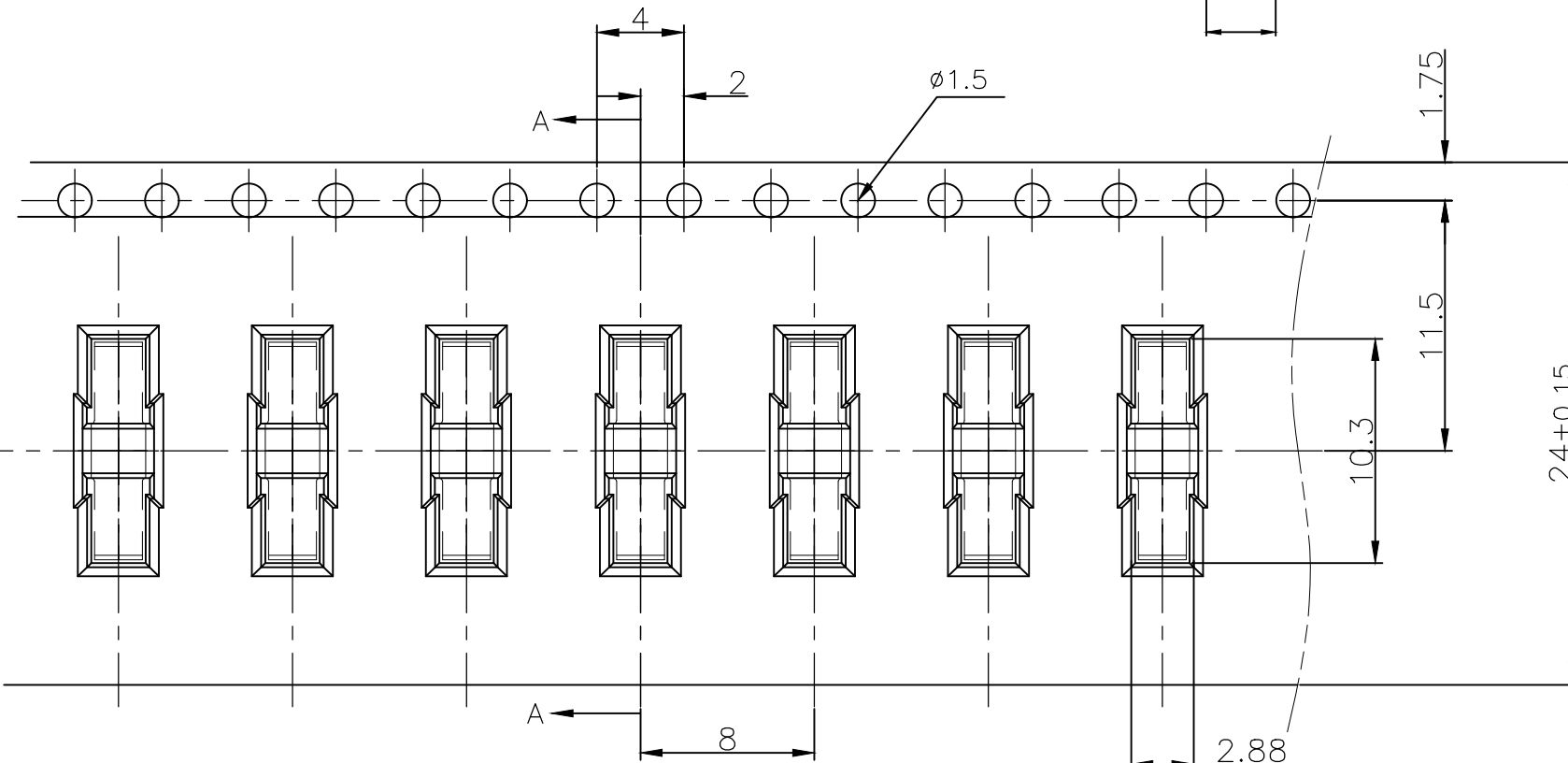
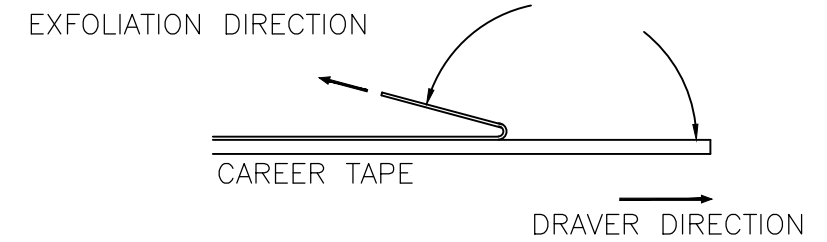
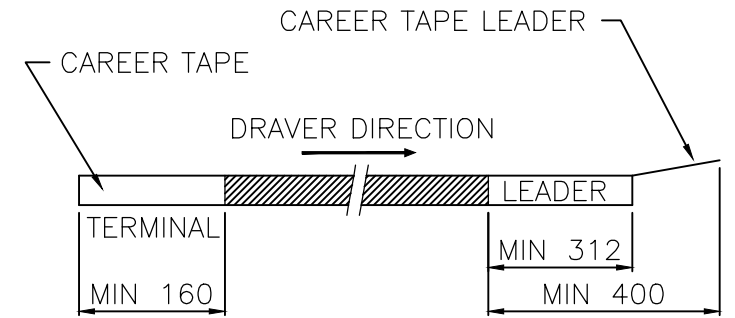
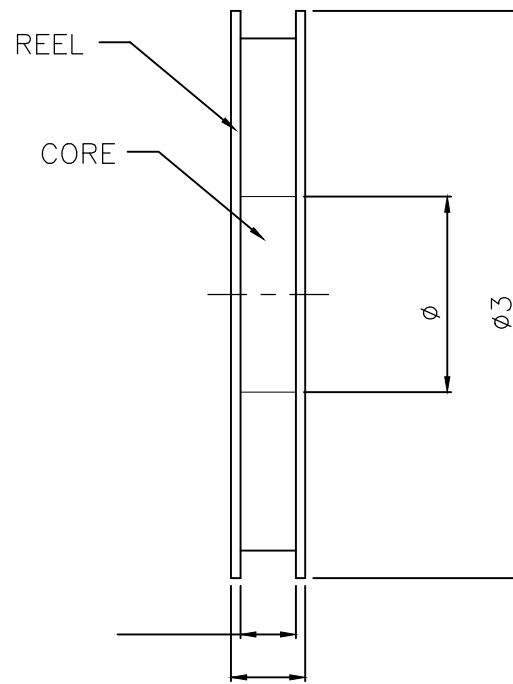
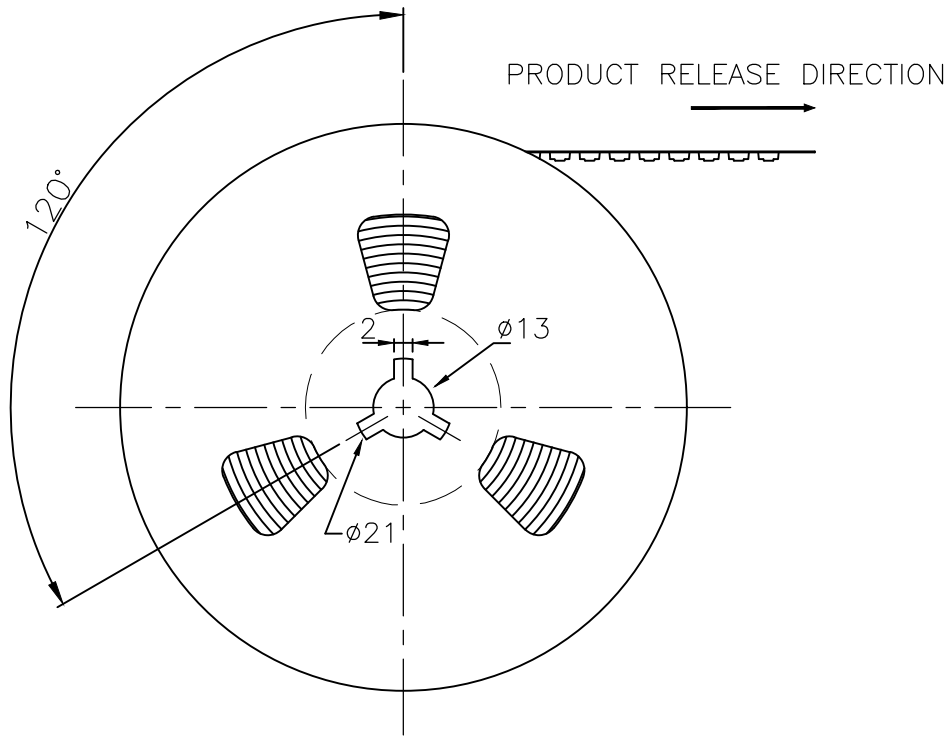
© COPYRIGHT - TE Connectivity Ltd.

ALL RIGHTS RESERVED.

REVISIONS

P	LTR	DESCRIPTION	DATE	DWN	APVD
-	-	SEE SHEET 1	-	-	-

GENERAL TOLERANCE : ±0.1



THIS DRAWING IS A CONTROLLED DOCUMENT.

DIMENSIONS:	TOLERANCES UNLESS OTHERWISE SPECIFIED:
mm	
	± -
	± -
	± -
	± -
	± -
ANGLES	± -
MATERIAL	FINISH
-	-

DWN	SJ.NOH	24MAY2017
CHK	-	-
APVD	JH.KIM	24MAY2017
PRODUCT SPEC	-	-
APPLICATION SPEC	-	-
WEIGHT	0.1[g]	-
CUSTOMER DRAWING		

STE TE Connectivity		NAME		
		STAMPING ELEMENT FOR WIFI ANTENNA		
SIZE	CAGE CODE	DRAWING NO	RESTRICTED TO	
A3	00779	C-2108964	-	
SCALE 1:1		SHEET 2 OF 2		REV C

X-ON Electronics

Largest Supplier of Electrical and Electronic Components

Click to view similar products for [Circuit Board Hardware - PCB category](#):

Click to view products by [TE Connectivity manufacturer](#):

Other Similar products are found below :

[8919-0-00-15-00-00-03-0](#) [0135-0-15-01-30-27-04-0](#) [5970-1-15-01-32-14-04-0](#) [0149-0-15-15-30-27-04-0](#) [MBI 1 BLUE](#) [7305-0-15-15-47-14-10-0](#) [8579-0-15-80-11-27-10-0](#) [8579-1-15-15-11-27-10-0](#) [8830-0-15-01-22-14-10-0](#) [8836-0-00-21-00-00-03-0](#) [PRUEF 1 RED](#) [PRUEF 2 RED](#) [9976-0-00-00-00-00-03-0](#) [PW1616](#) [1215-3-05-00-00-00-01-0](#) [1231](#) [1303-0-15-15-47-14-04-0](#) [1404-3](#) [1404-4](#) [1406-4](#) [1407-3](#) [1406-3](#) [1407-4](#) [1408-3](#) [1424-4](#) [1427-3](#) [1419-4](#) [1426-4](#) [MPS 1 BLACK](#) [1548-103](#) [1938-0-00-00-00-00-03-0](#) [1942-0-00-00-00-00-03-0](#) [2101-3-00-44-00-00-07-0](#) [2108-2-00-50-00-00-07-0](#) [2109-2-00-44-00-00-07-0](#) [2110-2-00-44-00-00-07-0](#) [2111-2-00-00-00-00-07-0](#) [2113-4-00-44-00-00-07-0](#) [2301-3-00-44-00-00-07-0](#) [2308-1-00-50-00-00-07-0](#) [2313-2-00-00-00-00-07-0](#) [2315-2-01-44-00-00-07-0](#) [2317-2-00-50-00-00-07-0](#) [2333-1-00-50-00-00-07-0](#) [9000-0-00-00-00-00-03-0](#) [2506-2-00-50-00-00-07-0](#) [2507-2-01-44-00-00-07-0](#) [2508-2-00-44-00-00-07-0](#) [2561-2-00-44-00-00-07-0](#) [9220](#)