

THIS DRAWING IS UNPUBLISHED.

RELEASED FOR PUBLICATION

20

© COPYRIGHT 20 BY -

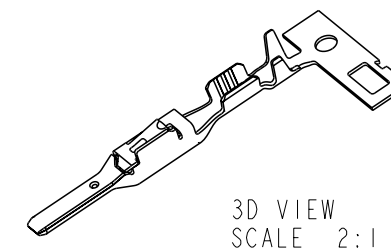
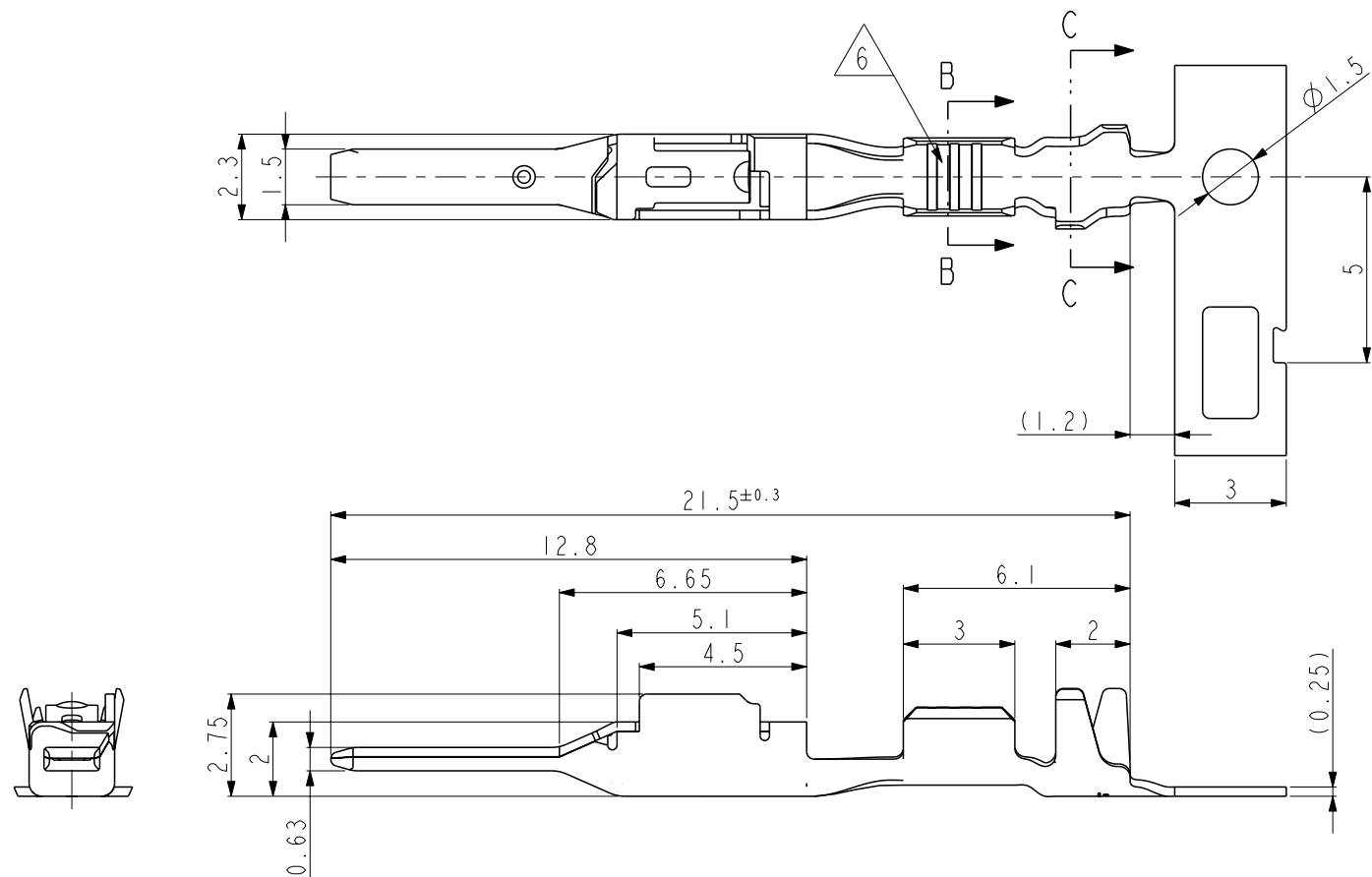
ALL RIGHTS RESERVED.

LOC

DIST

REVISIONS

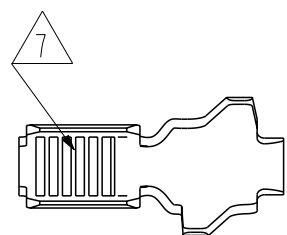
P	LTR	DESCRIPTION	DATE	DWN	APVD
	A3	REVISED (ECR-18-012518)	07.AUG.'18	JW	YJ



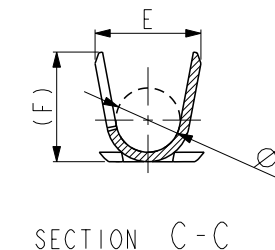
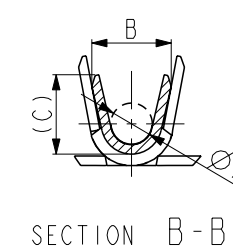
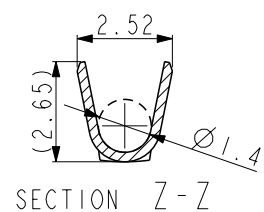
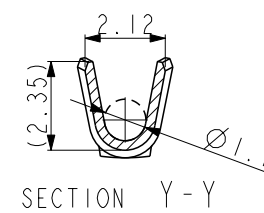
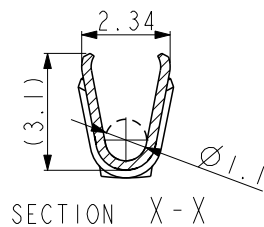
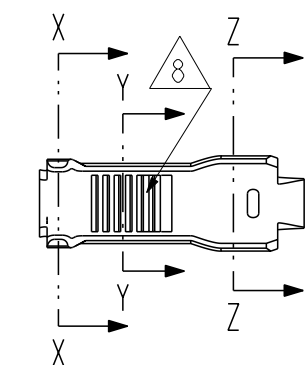
NOTES/NOTES;

- 1 MATERIAL: BRASS
- 2 FINISH: PRE-TIN PLATED
- 3. GENERAL TOLERANCE: ±0.2, ±3°
- 4. THIS PRODUCT IS DESIGNED TO BE COMPATIBLE WITH UN-SEALED APPLICATIONS.
- 5. APPLICATOR FEED: 10.0
- 6 THREE SERRATIONS CENTERED IN WIRE BARREL
- 7 SEVEN SERRATIONS CENTERED IN WIRE BARREL
- 8 COMBINED BARREL AND SEVEN SERRATIONS

PRELIMINARY-NOT RELEASED YET



PRELIMINARY-NOT RELEASED YET



SHAPE	(F)	E	∅D	(C)	B	∅A	INSUL RANGE	WIRE RANGE	FINISH	MATERIAL	DESCRIPTION	PART NO.
8							(1.4)	AL 0.75SQ	2	1	AL 060 TAB	9-2109005-2
7	(3.75)	3.65	∅2.0	(2.95)	2.6	∅1.3	(1.8)	AL 1.25SQ	2	1	AL 060 TAB (M)	8-2109005-3
7	(2.9)	2.8	∅1.7	(1.7)	1.7	∅1.1	(1.4)	AL 0.75SQ	2	1	AL 060 TAB (S)	8-2109005-2
6	(3.75)	3.65	∅2.0	(2.95)	2.6	∅1.3	1.8 - 2.4	0.85 - 1.25SQ	2	1	060 TAB (M)	2109005-3
6	(2.9)	2.8	∅1.7	(2.3)	2.2	∅1.1	1.4 - 1.9	0.5 - 0.75SQ	2	1	060 TAB (S)	2109005-2
6	(2.45)	2.4	∅1.3	(1.7)	1.7	∅0.8	1.0 - 1.5	0.22 - 0.35SQ	2	1	060 TAB (SS)	2109005-1

THIS DRAWING IS A CONTROLLED DOCUMENT.

DIMENSIONS: mm	TOLERANCES UNLESS OTHERWISE SPECIFIED: 0 PLC ± 1 PLC ± 2 PLC ± 3 PLC ± 4 PLC ± ANGLES ±
MATERIAL 1	FINISH 2

DWN KT JUNG	CHK KT LIM
APVD HG CHO	PRODUCT SPEC 108-61116
APPLICATION SPEC 114-61036	WEIGHT -
CUSTOMER DRAWING	

NAME 060 TAB CONTACTS			
SIZE A3	CAGE CODE 00779	DRAWING NO C-2109005	RESTRICTED TO -
SCALE 5:1		SHEET 1 OF 1	REV A3

MISSING DIMENSIONS ARE SAME WITH THREE SERRATIONS

X-ON Electronics

Largest Supplier of Electrical and Electronic Components

Click to view similar products for [Automotive Connectors](#) category:

Click to view products by [TE Connectivity](#) manufacturer:

Other Similar products are found below :

[003-018-000](#) [60993906-B](#) [M902-2131](#) [M902-2161](#) [M902-2344](#) [72.330.1035.1](#) [73.353.4028.0](#) [F166900](#) [F358300-B](#) [F407400](#) [776880-1](#)
[827153-1](#) [8N1515-32-24P](#) [9-1326729-8](#) [925474-1](#) [928905-1](#) [964562-4](#) [968782-1](#) [98891-1012](#) [12004475-L](#) [12020308](#) [12041318-B](#)
[12052466](#) [12059716](#) [12064869](#) [12015909](#) [1-21030-1](#) [12041254](#) [12041318](#) [12047946-B](#) [12110546-B](#) [12131792](#) [12084688](#) [12092346](#)
[HD34-18-14PT](#) [HD46-24-23SN-059](#) [HDB36-24-16PN-059](#) [HDP26-24-9SE-L015](#) [12185280](#) [12185550](#) [12336-12](#) [12191172-B](#) [12S](#)
[13545280](#) [13577943](#) [13681974](#) [13737722-B](#) [13830674](#) [13832576](#) [13849772](#)