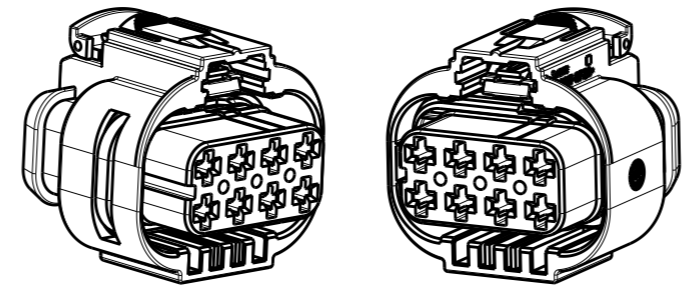
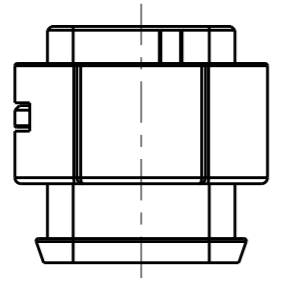
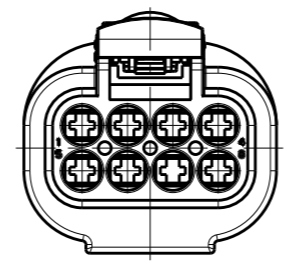
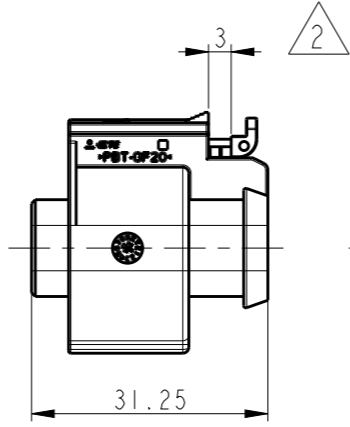
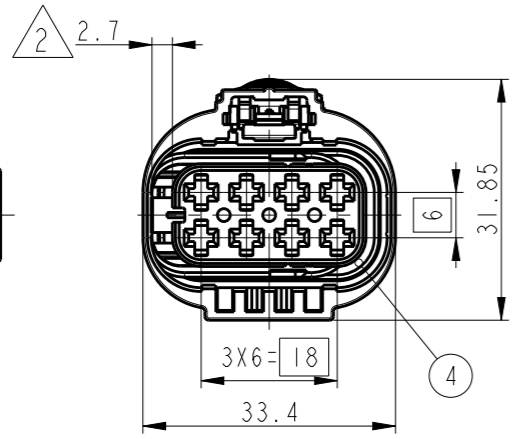
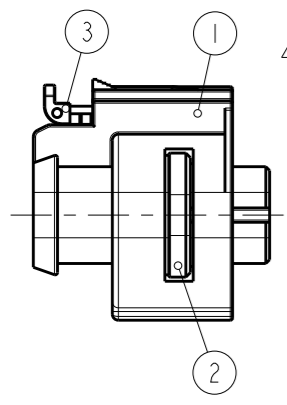
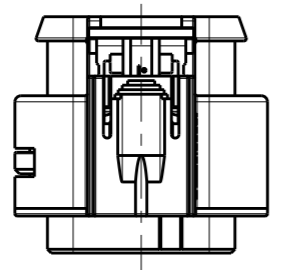


THIS DRAWING IS UNPUBLISHED. RELEASED FOR PUBLICATION 20  
 © COPYRIGHT 20 BY - ALL RIGHTS RESERVED.

P	LTR	DESCRIPTION	DATE	DWN	APVD
	A	RELEASED	20.DEC.'12	YH	HG
	A1	REVISED (ECR-13-010882)	11.DEC.'13	JM	HG
	A2	REVISED (ECR-14-008729)	05.JUN.'14	JM	HG
	A3	REVISED (ECR-20-009291)	30JUN2020	JH	YJ



ISO VIEW



- NOTE,  
 1. GENERAL TOLERANCE : ±0.3, ±3°  
 2. CONDITION OF DELIVERY : DBL PLATE AND CPA HSG IN OPEN POSITION. BUT DBL PLATES OF 9-2109441-2 & 9-2109441-1 POSITION IS CLOSE.  
 3. CODING  
 4. APPLIED RECEPTACLE CONTACT P/N:SEE TABLE I  
 5. MATING PART INTERFACE DRAWING : 114-61047  
 6. INSTRUCTION SHEET : 411-61012

DESCRIPTION	CAVITY	REV	ASS'Y P/N
ALL CLOSED	Z	A	9-2109441-1
4P OPENED	A	A	9-2109441-2
ALL OPENED	D	A	3-2109441-9
6P OPENED	D	A	3-2109441-8
6P OPENED	C	A	3-2109441-1
4P OPENED	C	A	2-2109441-5
ALL OPENED	C	A	2-2109441-4
ALL OPENED	B	A	2-2109441-3
ALL OPENED	B	A	1-2109441-1
2P OPENED	A	A	0-2109441-6
7P OPENED	A	A	0-2109441-5
4P OPENED	A	A	0-2109441-4
2P OPENED	A	A	0-2109441-3
ALL OPENED	A	A	0-2109441-2

NO	FINISH/ COLOR	MATERIAL	CODE	CAVITY	REV	Q'TY
4	RED ORANGE	SILICONE	INNER SEAL		A	
3	TRAFFIC RED	PBT-GF10	CPA HSG		A	
2	TRAFFIC RED	PBT-GF30	DBL HSG		A	
1	NATURAL	PBT-GF20	PLUG HSG(CODE Z)	ALL CLOSED	A	
	BLACK		PLUG HSG(CODE A)	ALL CLOSED	A	
	LIGHT BLUE		PLUG HSG(CODE D)	4P OPENED	A	
			PLUG HSG(CODE D)	ALL OPENED	A	
	LIGHT GRAY		PLUG HSG(CODE D)	6P OPENED	A	
			PLUG HSG(CODE C)	6P OPENED	A	
	BLACK		PLUG HSG(CODE C)	4P OPENED	A	
			PLUG HSG(CODE C)	ALL OPENED	A	
			PLUG HSG(CODE B)	ALL OPENED	A	
			PLUG HSG(CODE A)	2P OPENED	A	
			PLUG HSG(CODE A)	7P OPENED	A	
			PLUG HSG(CODE A)	4P OPENED	A	
			PLUG HSG(CODE A)	2P OPENED	A	
			PLUG HSG(CODE A)	ALL OPENED	A	

4 TABLE I

CONTACT NAME	WIRE SIZE RANGE(mm <sup>2</sup> )	DIAMETER OF INSULATION (mm)	P/N	WIRE SEAL	CAVITY PLUG
MCP 2.8	0.35	∅1.2~∅1.4	968882	828904-1	828922-1
	0.5~1.0	∅1.4~∅2.1	968855		
	1.5~2.5	∅2.2~∅3.0	968857		

THIS DRAWING IS A CONTROLLED DOCUMENT.

DIMENSIONS: mm

TOLERANCES UNLESS OTHERWISE SPECIFIED:  
 1 PLC ±  
 2 PLC ±  
 3 PLC ±  
 4 PLC ±  
 ANGLES ±

3rd ANGLE PROJECTION

MATERIAL: SEE TABLE

FINISH: -

DWN: JM JEON  
 CHK: JW JUNG  
 APVD: HG CHO

PRODUCT SPEC: -  
 APPLICATION SPEC: -  
 WEIGHT: -

CUSTOMER DRAWING

NAME: MCP 2.8mm 8P PLUG ASS'Y

SIZE: A3 CAGE CODE: 00779 DRAWING NO: 2109441

RESTRICTED TO: -

SCALE: 1:1 SHEET: 1 OF 2 REV: A3

TE Connectivity

THIS DRAWING IS UNPUBLISHED.

RELEASED FOR PUBLICATION

20

© COPYRIGHT 20 BY -

ALL RIGHTS RESERVED.

REVISIONS

P	LTR	DESCRIPTION	DATE	DWN	APVD
-	-	SEE SHEET 1	-	-	-

3

CODING

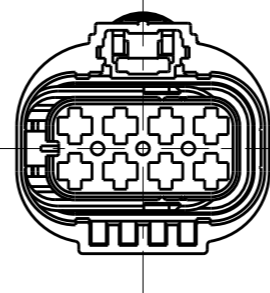
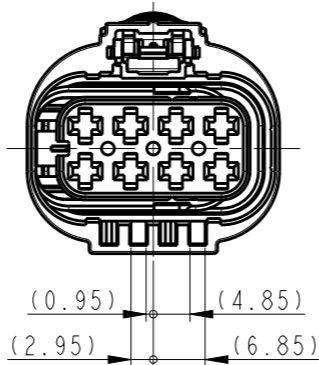
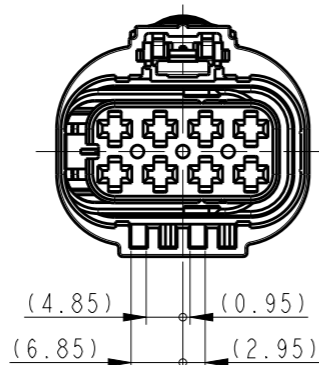
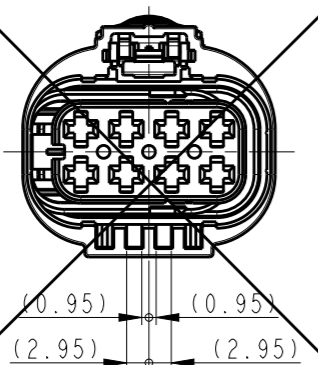
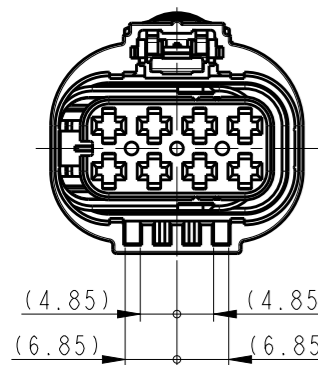
CODING "A"

CODING "B"

CODING "C"

CODING "D"

CODING "Z"



CIRCUIT ARRANGEMENT FOR PARTICULAR TYPE

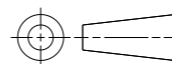
0-2109441-3	0-2109441-4	A3 0-2109441-5	A3 0-2109441-6
2-2109441-4	2-2109441-5		
3-2109441-1	3-2109441-9	9-2109441-1	9-2109441-2

<CIRCUIT ARRANGEMENT INDICATES UNAVAILABLE (BLOCKED) CIRCUIT>

CAVITY	CODE	P/N	1	2	3	4	5	6	7	8	REV
			CIRCUIT ARRANGEMENT INDICATES UNAVAILABLE (BLOCKED) CIRCUIT								
ALL CLOSED	CODING "Z"	9-2109441-1	X	X	X	X	X	X	X	X	A
	CODING "A"	9-2109441-2	X	X	X	X	X	X	X	X	A
4P OPENED	CODING "D"	3-2109441-9	O	X	X	O	O	O	X	X	A
ALL OPENED		3-2109441-8	O	O	O	O	O	O	O	O	A
6P OPENED		3-2109441-1	X	X	O	O	O	O	O	O	A
6P OPENED	CODING "C"	2-2109441-5	O	O	O	O	O	X	X	X	A
4P OPENED		2-2109441-4	O	X	X	O	O	X	X	O	A
ALL OPENED		2-2109441-3	O	O	O	O	O	O	O	O	A
ALL OPENED	CODING "B"	1-2109441-1	O	O	O	O	O	O	O	O	A
A3 2P OPENED	CODING "A"	0-2109441-6	X	X	X	X	O	O	X	X	A
A3 7P OPENED		0-2109441-5	X	O	O	O	O	O	O	O	A
4P OPENED		0-2109441-4	X	X	O	O	O	O	X	X	A
2P OPENED		0-2109441-3	X	X	X	O	X	X	O	X	A
ALL OPENED		0-2109441-2	O	O	O	O	O	O	O	O	A

THIS DRAWING IS A CONTROLLED DOCUMENT.

DIMENSIONS: mm



MATERIAL SEE TABLE SHEET 1

TOLERANCES UNLESS OTHERWISE SPECIFIED:

- 0 PLC ±
- 1 PLC ±
- 2 PLC ±
- 3 PLC ±
- 4 PLC ±
- ANGLES ±
- FINISH -

DWN

CHK

APV SEE SHEET 2 OF 2

PRODUCT SPEC

APPLICATION SPEC

WEIGHT

CUSTOMER DRAWING



TE Connectivity

NAME

MCP 2.8mm 8P PLUG ASS'Y

SIZE

A3

CAGE CODE

-

DRAWING NO

C-2109441

RESTRICTED TO

-

SCALE 1:1

SHEET 2 OF 2

REV A3

## X-ON Electronics

Largest Supplier of Electrical and Electronic Components

*Click to view similar products for [Automotive Connectors](#) category:*

*Click to view products by [TE Connectivity](#) manufacturer:*

Other Similar products are found below :

[003-018-000](#) [60403001](#) [60993906-B](#) [M902-2131](#) [M902-2161](#) [72.330.1035.1](#) [73.353.4028.0](#) [F119300-B](#) [F166900](#) [F258300-B](#) [F358300-B](#)  
[F407400](#) [F444110](#) [F487000](#) [F509500B-B](#) [827153-1](#) [8N1515-32-24P](#) [9-1326729-8](#) [925474-1](#) [928905-1](#) [964562-4](#) [968782-1](#) [GT17SA-8DS-](#)  
[HU](#) [98891-1012](#) [98947-1016](#) [12004147](#) [12004475-L](#) [12010290](#) [12010309-B](#) [12015454](#) [12020219-B](#) [12020308](#) [12041318-B](#) [12052225-L](#)  
[12052466](#) [12059125](#) [12064869](#) [12004327-B](#) [12010503-B](#) [12015308](#) [12015384](#) [12015909](#) [1-21030-1](#) [12041254](#) [12041318](#) [12047946-B](#)  
[12047957](#) [12047957-L](#) [12059473](#) [12066261](#)