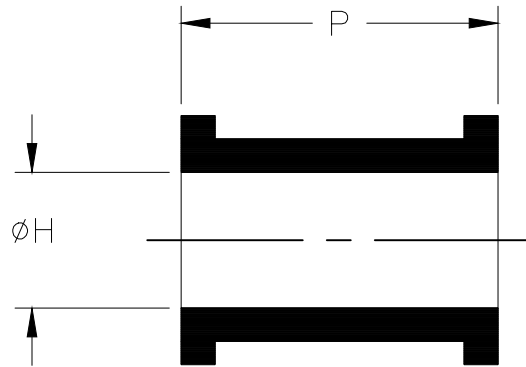
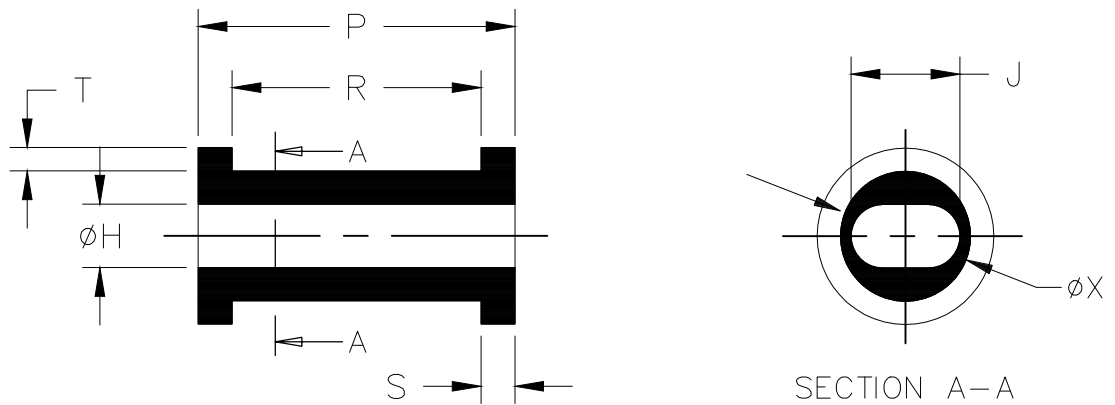


REVISIONS				
P	LTR	DESCRIPTION	DATE	APVD
4		PRODUCTION ISSUE	31JAN2019	PNT MT

a) Part as supplied



b) Part after unrestricted recovery



DIMENSIONS in millimetres
[in inches, for reference]


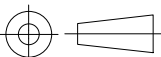
Part No.	H		J		± 2	Max	$\pm 10\%$	$\pm 10\%$	$\pm 10\%$	$\pm 10\%$
	Min	Max	Min	Max						
210W321	12 [.47]	5.9 [.23]	12 [.47]	10.1 [.40]	25 [.98]	31 [1.22]	25 [.98]	3.0 [.12]	2.0 [.08]	12 [.47]
210W331	16 [.63]	7.8 [.31]	16 [.63]	12.2 [.48]	27 [1.06]	32 [1.26]	24 [.94]	4.0 [.16]	2.5 [.10]	14 [.55]

RELEASED FOR PUBLICATION

ALL RIGHTS RESERVED.

THIS DRAWING IS UNPUBLISHED.

TE Connectivity Ltd. COPYRIGHT -

DIMENSIONS: mm [INCHES]	DWN	PRAVEEN N T	31JAN2019	MATERIAL	SEE SHEET 2	FINISH	-
	CHK	N NAGAR	31JAN2019	 TE Connectivity Ltd.			
TOLERANCES UNLESS OTHERWISE SPECIFIED:	APVD	M TAYLOR	31JAN2019				
0 PLC $\pm -$	PRODUCT SPEC	NAME					
1 PLC $\pm -$	-	BOBBIN					
2 PLC $\pm -$	APPLICATION SPEC	-					
3 PLC $\pm -$	-	SIZE	CAGE CODE	DRAWING NO	RESTRICTED TO		
4 PLC $\pm -$	-	A4	00779	C-210W3XX-XX-0	-		
ANGLES $\pm -$	WEIGHT	CUSTOMER DRAWING					
	SCALE		DNS		SHEET	1 OF 2	
						REV 4	

REVISIONS					
P	LTR	DESCRIPTION	DATE	DWN	APVD
	-	SEE SHEET 1	-	-	-

COMPATIBILITY CHART

Material Dash Number	Material Description	RT Spec	Coating Slash No.	Coating S No.
-3	POLYOLEFIN, SEMI-RIGID	RT-301	/42, /86, /180	S1017; S1048; S1030
-4	POLYOLEFIN, FLEXIBLE	RT-1304	/42, /86, /180	S1017; S1048; S1030
-12	FLUOROELASTOMER, FLEXIBLE	RT-1312	N/A	N/A
-25	ELASTOMER, FLUID RESISTANT	RW-2070	/42, /86, /225	S1017; S1048; S1206
-100	POLYOLEFIN, SEMI-FLEXIBLE ZEROHAL	RW-2082	/86; /180	S1048; S1030

Ordering Information

210W3X1-XX/XX-0

- Color designator
- Adhesive Slash Number (if required see compatibility chart)
- Material Dash Number (see compatibility chart)
- Base Part Number

NOTES

- As supplied dimensions are for uncoated parts, when coating is added entry diameters will reduce by 1.5mm[.06] Max.

RELEASED FOR PUBLICATION

ALL RIGHTS RESERVED.

© COPYRIGHT - TE Connectivity Ltd.

THIS DRAWING IS UNPUBLISHED.

DIMENSIONS: mm [INCHES]	DWN PRAVEEN N T	31JAN2019	MATERIAL -	FINISH -	
	CHK N NAGAR	31JAN2019	TE Connectivity Ltd.		
TOLERANCES UNLESS OTHERWISE SPECIFIED:	APVD M TAYLOR	31JAN2019			NAME BOBBIN
	PRODUCT SPEC -		SIZE A4	CAGE CODE 00779	
0 PLC ± - 1 PLC ± - 2 PLC ± - 3 PLC ± - 4 PLC ± - ANGLES ± -	APPLICATION SPEC -	WEIGHT	SCALE DNS SHEET 2 OF 2 REV 4		
		CUSTOMER DRAWING			

X-ON Electronics

Largest Supplier of Electrical and Electronic Components

Click to view similar products for [Heat Shrink Tubing and Sleeves](#) category:

Click to view products by [TE Connectivity](#) manufacturer:

Other Similar products are found below :

[5685710001](#) [CR9960-000](#) [5734012004](#) [607381P039](#) [611112-000](#) [6284592002](#) [CX4711-000](#) [CZ1420-000](#) [D-306-38](#) [770-006S302](#) [770-010Y106W1](#) [770-018S103](#) [770-018S202W1](#) [770-018S205W1](#) [770-020S704W1](#) [770-020S705](#) [MFP-3/64"-Clear](#) [790-3012](#) [MHHT-4-15K2-G-104](#) [8003012003](#) [MIL-LT-1-1/2-4-SP](#) [MIL-LT-1-1/2-9-STK](#) [MIL-LT-1/2-2-STK](#) [MIL-LT-3-0-SP](#) [MIL-LT-3/32-0-SP](#) [MIL-LT-3/32-6-SP](#) [MIL-LT-3/4-4-STK](#) [MIL-LT-3/4-6-SP](#) [839602-000](#) [8423-6](#) [FP301-116-48"-Clear](#) [FP301-12-6"-Clear](#) [FP301-1/4-48"-White-Hdr](#) [FP301-18-48"-Black-Hdr](#) [FP301-1/8-6"-Black](#) [FP301-18-6"-Black-Bulk](#) [FP301-316-48"-Blue-Hdr](#) [912229N002](#) [R280637030](#) [HDCW-5515-1000](#) [HDT-0300-48A-BLACK](#) [HDT-0400-48A-Black](#) [HDT-0800-48A-RED](#) [HDT1100-48A-BLK](#) [HDT1500-48A-BLK](#) [HDT-2000-48A-Black](#) [RHW-70/20-1200/ADH-0](#) [DWP-125-0.450-4-55MM-CS879](#) [156082-000](#) [MT5500-3/8-X-SP](#)