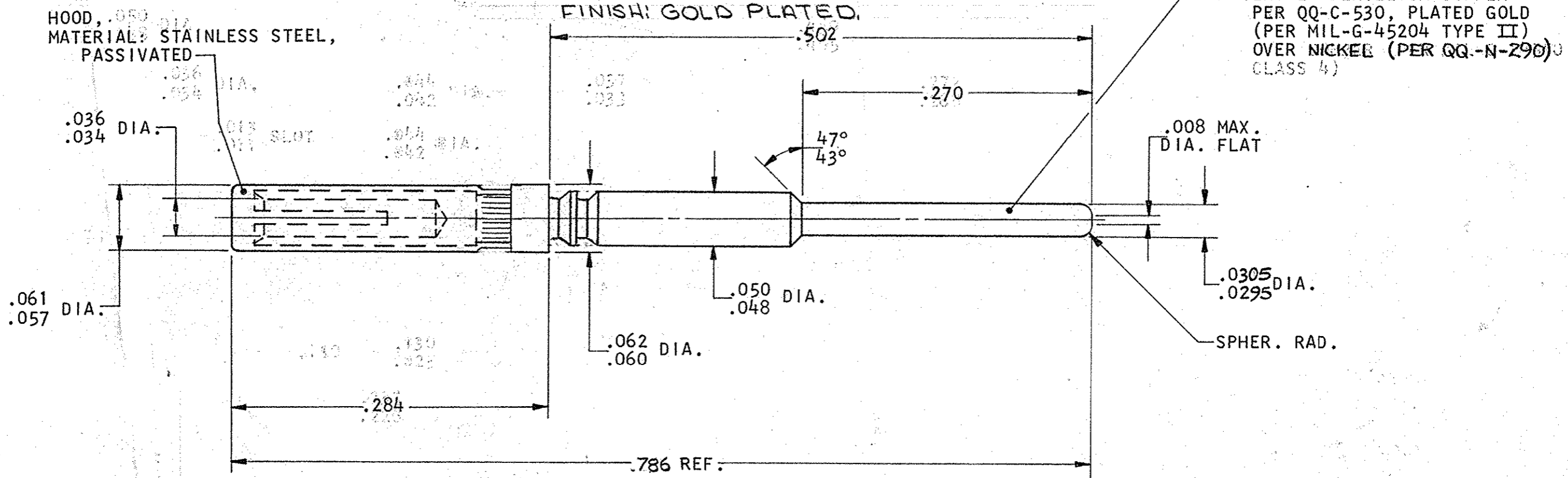


THIS DRAWING IS UNPUBLISHED. RELEASED FOR PUBLICATION FEBRUARY 25, 1982.

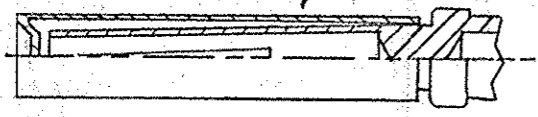
© COPYRIGHT 1982 BY AMP INCORPORATED, HARRISBURG, PA. ALL INTERNATIONAL RIGHTS RESERVED. AMP PRODUCTS MAY BE COVERED BY U.S. AND FOREIGN PATENTS AND/OR PATENTS PENDING.

P		F		ZONE	LTR	DESCRIPTION	DATE	APPROVED
✓	✓				E	REV PER 0630-0543-03	05 15 83	LO

- 211009-1 1. AS SHOWN
- 2 1. SAME AS -1 EXCEPT:
2. SPECIAL TESTING REQ'D
- △-3 1. SAME AS -1 EXCEPT:
2. MAT'L: BERYLLIUM COPPER PER QQ-C-530.
FINISH: PLATED GOLD PER MIL-G-45204, TYPE II.
OVER COPPER PER MIL-C-14550.
3. HOOD: COPPER ALLOY PER QQ-B-613
FINISH: GOLD PLATED.



ALTERNATE CONFIGURATION
FOR -1 & -2



△ 211009-3 HAS CRIMPED HOOD, C-1 & -2 ARE
PRESS FIT OR CRIMPED.

UNLESS OTHERWISE SPECIFIED DIMENSIONS ARE IN INCHES. TOLERANCES ON: DECIMALS ± .005 ANGLES ± //		CONTRACT NO. DR. <i>E.A. Eng...</i> 2-15-82 CHK. <i>Larry S. Sawyer</i> 3-9-82 APPD. <i>...</i> 5-18-82 APPD. <i>...</i> 3-19-82		PART NO.	
MATERIAL SEE CALLOUT		FINISH SEE CALLOUT		AMP INCORPORATED Harrisburg, Pa.	
NAME CONTACT, SIZE 22, FOR HDD-22 CONNECTOR SAVER		SIZE B	FSCM NO. 00779	DRAWING NO. 211009	
SCALE //		SHEET 1 OF 1			

X-ON Electronics

Largest Supplier of Electrical and Electronic Components

Click to view similar products for [Rack & Panel Connectors](#) category:

Click to view products by [TE Connectivity](#) manufacturer:

Other Similar products are found below :

[00170420102](#) [00171420202](#) [00171440002](#) [008026165000265](#) [00-8219-072-000-112P44](#) [008219072000112P5](#) [02-014-013-5200-000](#) [613467-000](#) [CTJ112E01E-513](#) [CTJ116E03A-513](#) [M81714/63-22S L/C](#) [M81714/65-12-1](#) [66020-2](#) [CW8958-000](#) [699886-000](#) [D250-50632](#)
[70.400.3240.0](#) [70.955.2453.3](#) [733753-000](#) [F22831-000](#) [780-522-DPX34RG8-02](#) [MMA25-0341D1](#) [8660-501](#) [87.060.0053.0](#) [900709N001](#)
[QRP4-12P-C\(01\)](#) [QR/P6-6S-C\(01\)](#) [AC-600003-004](#) [1218600-1](#) [D-659-0061](#) [DMC-MD 24 C-T](#) [1-445717-6](#) [1484398-2](#) [1484399-2](#) [1484469-2](#) [MR-34MG](#) [1484225-1](#) [1484398-1](#) [1604997-2](#) [1663130-1](#) [1663767-7](#) [1663767-8](#) [MTC100-BF1-P31CS015](#) [MTC100-KT2-0083](#) [MTC100-KT2-0123-003](#) [MTC100-YA1-005](#) [MTCB1X-105-XXX](#) [MTCPQKT1P2PGDC](#) [MTCPQKT1R2PGCA](#) [MTCR-103-04S](#)