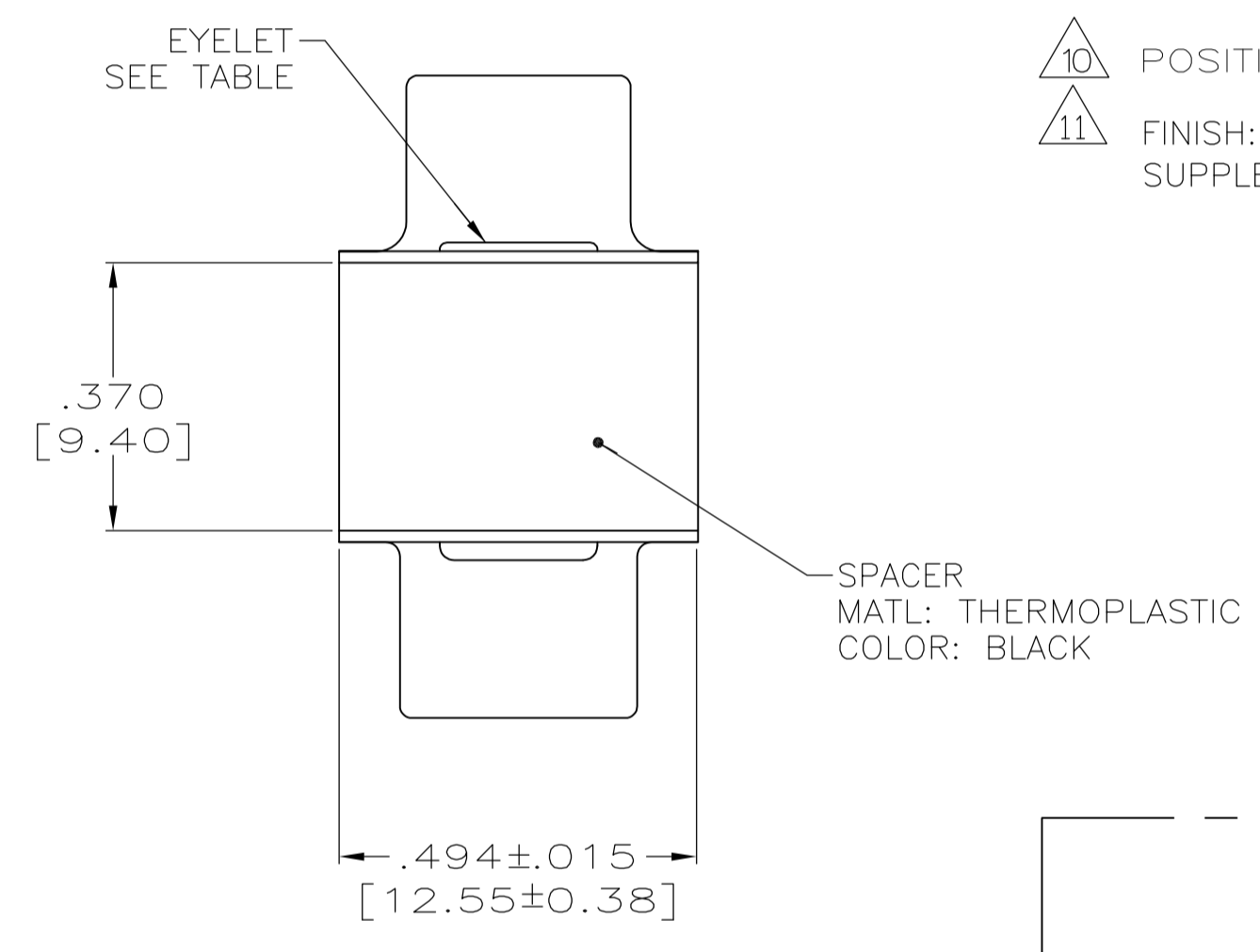
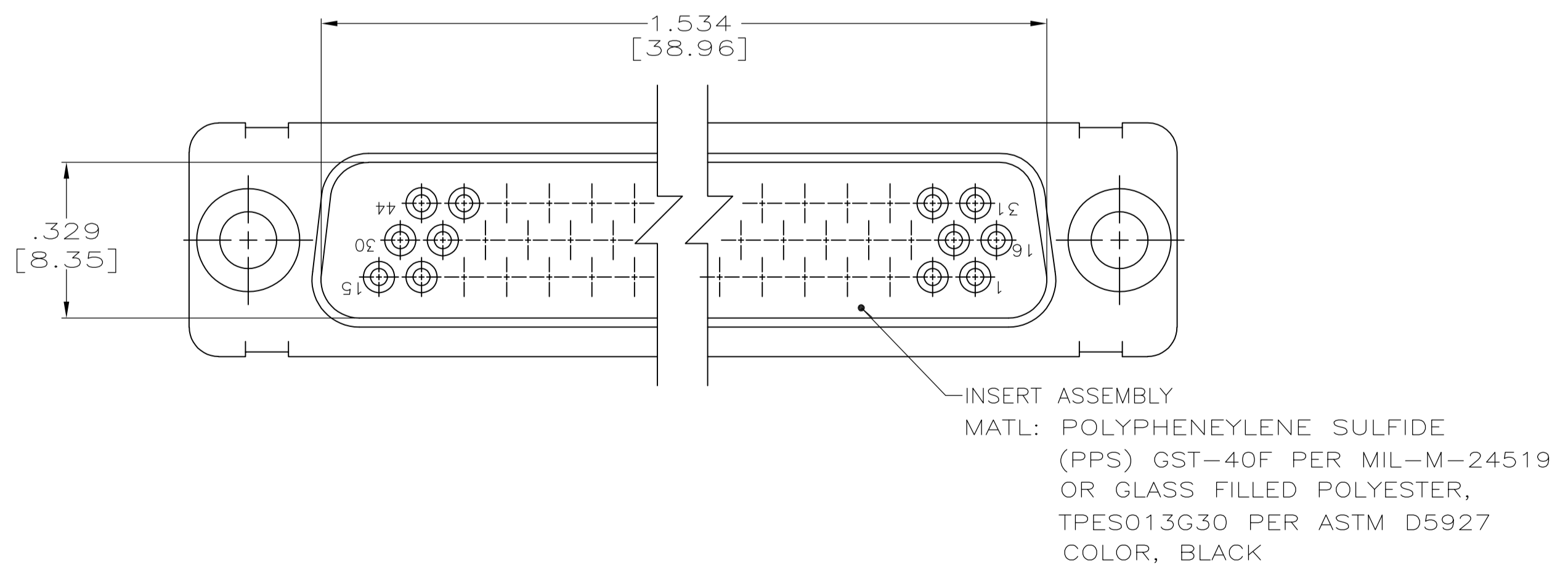
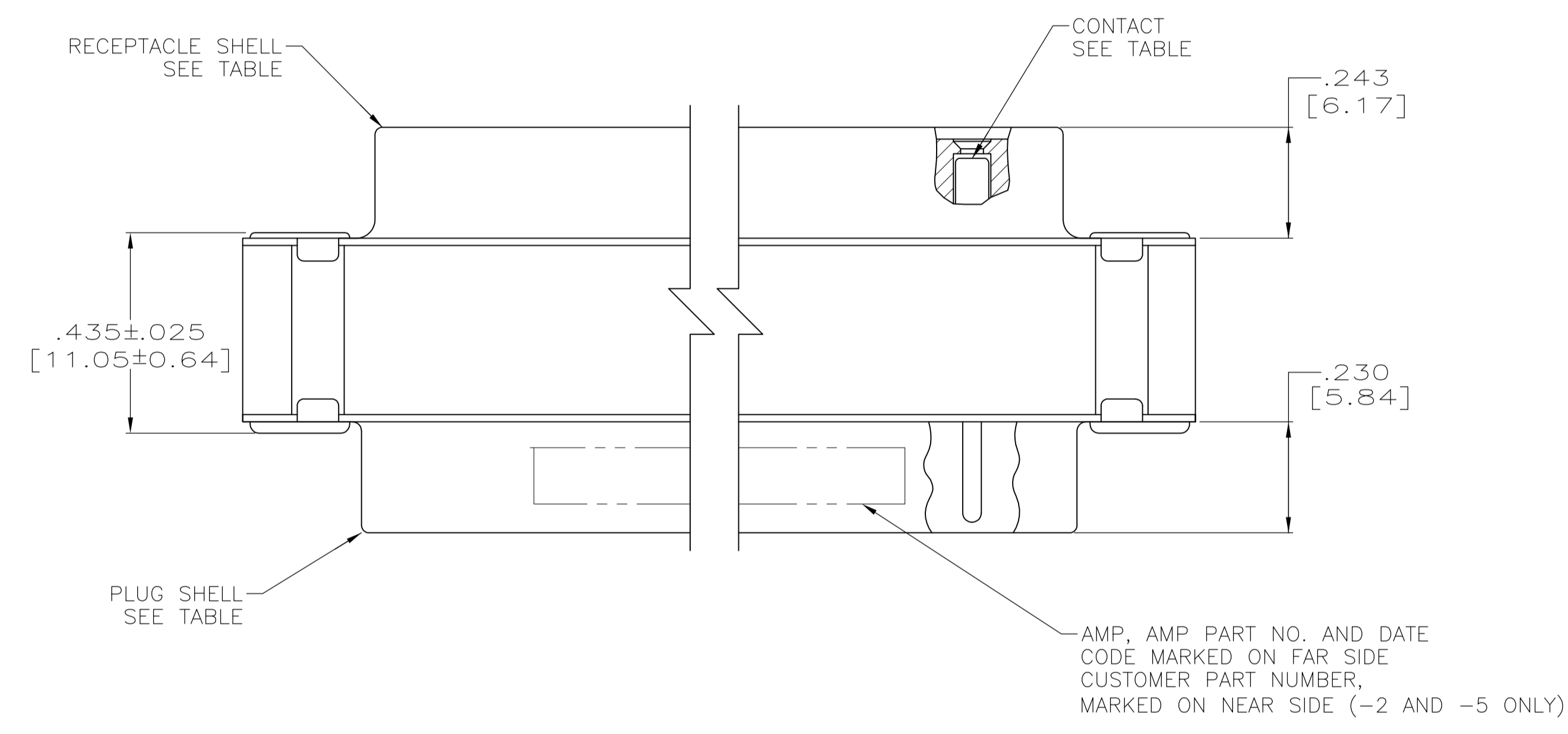
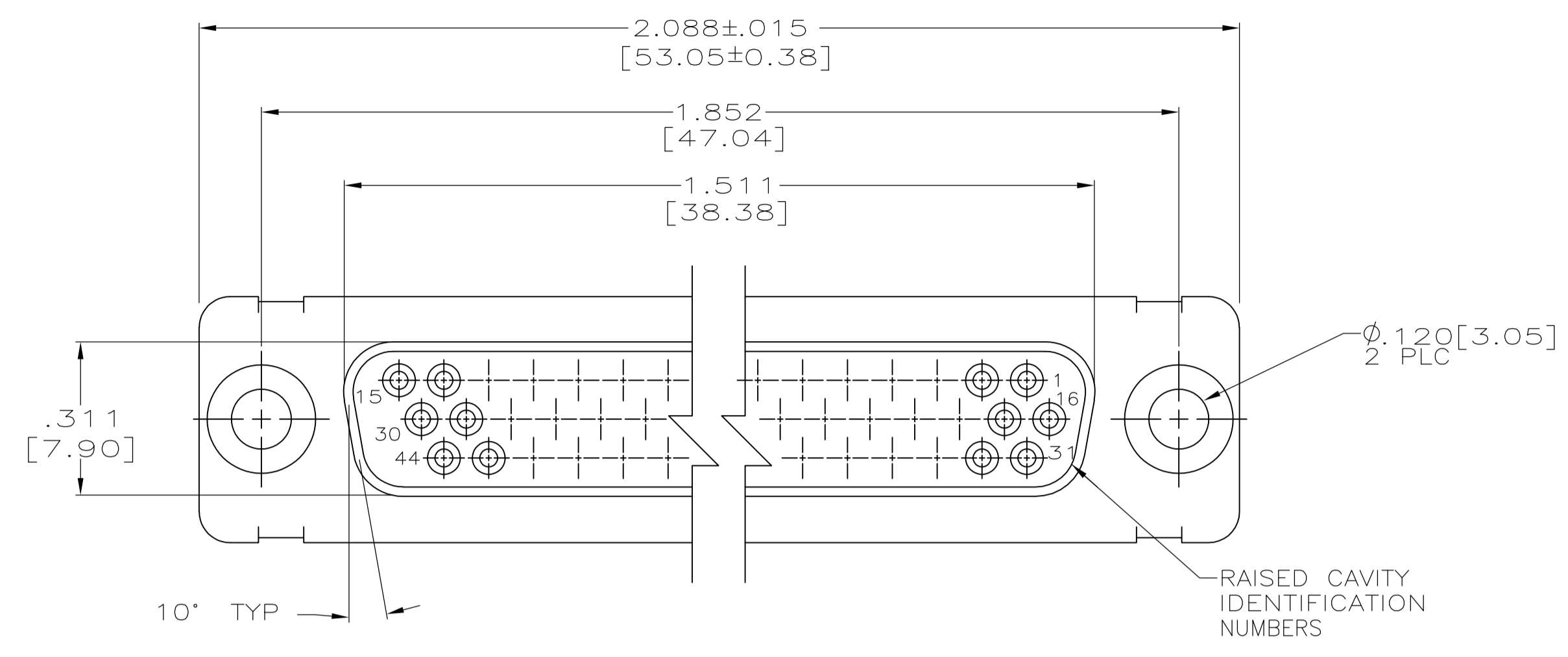
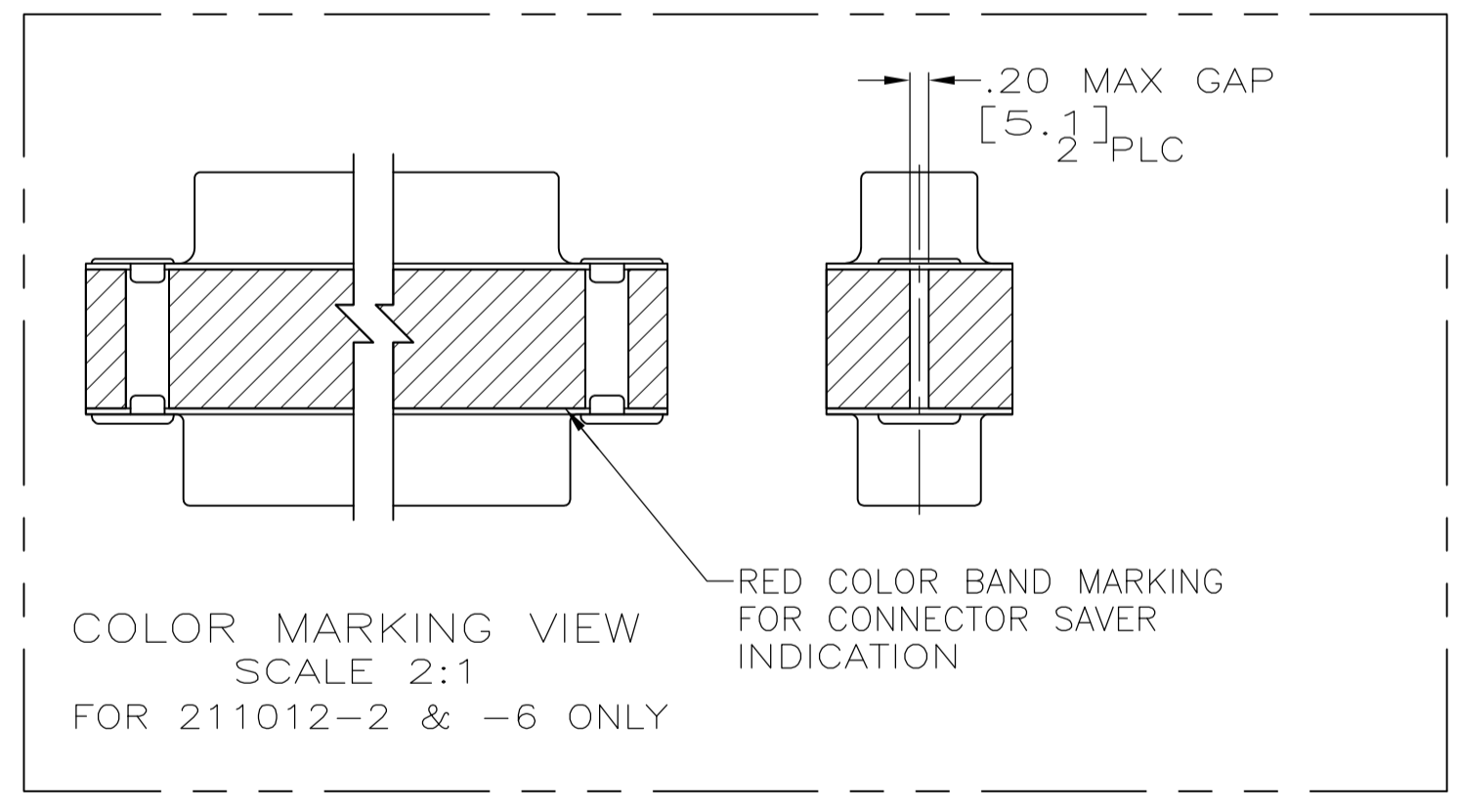


REVISIONS					
P	LTR	DESCRIPTION	DATE	DMN	APVD
AB	REV PER ECO	17-000132	5-5-17	CT	DM



- CONTACTS INCLUDED IN ASSEMBLY.
- MATL: STEEL, PER ASTM-A-109.
- FINISH: CADMIUM PER QQ-P-416.
- MATL: BRASS PER ASTM-B-36.
- FINISH: PLATED ZINC .00020 MIN THK PER ASTM-B-633. YELLOW CHROMATE FINISH.
- CONTACT
 - BODY MAT'L: BERYLLIUM COPPER PER ASTM-B-197.
 - BODY FINISH: PLATED GOLD, .000050 MIN THK PER MIL-G-45204 OVER NICKEL, .000050 MIN THK PER QQ-N-290.
 - HOOD MAT'L: STAINLESS STEEL PER ASTM-A-240.
 - HOOD FINISH: PASSIVATED PER QQ-P-35
- FINISH: PLATED GOLD, .000050 MIN THK PER MIL-G-45204 OVER COPPER FLASH
- FINISH: PLATED GOLD, .000050 MIN THK PER MIL-G-45204 OVER COPPER, .000100 MIN THK PER MIL-C-14550.
- CONTACT
 - BODY MAT'L: BERYLLIUM COPPER PER ASTM-B-197.
 - BODY FINISH: PLATED GOLD, .000050 MIN THK PER MIL-G-45204 OVER COPPER, .000100 MIN THK PER MIL-C-14550.
 - HOOD MAT'L: COPPER ALLOY PER QQ-B-613.
 - FINISH: PLATED GOLD, .000050 MIN THK PER MIL-G-45204 OVER COPPER, .000100 MIN THK PER MIL-C-14550.
- POSITIONS 37 & 38 DO NOT HAVE A CONTACT OR CLIP LOADED.
- FINISH: PLATED ZINC PER ASTM-B-633 .000200 MIN THK WITH SUPPLEMENTARY CHROMATE (Cr3+).



OBSOLETE

$\triangle 10$	$\triangle 4$ $\triangle 11$	$\triangle 4$ $\triangle 11$	$\triangle 6$	-	5-211012-7
$\triangle 10$	$\triangle 4$ $\triangle 5$	$\triangle 4$ $\triangle 3$	$\triangle 6$	-	211012-7
-	$\triangle 4$ $\triangle 8$	$\triangle 4$ $\triangle 7$	$\triangle 6$	4U884 SOCN R10002677-0108	211012-6
-	$\triangle 4$ $\triangle 8$	$\triangle 4$ $\triangle 7$	$\triangle 6$	2A091-003W-001	211012-5
-	$\triangle 4$ $\triangle 8$	$\triangle 4$ $\triangle 7$	$\triangle 6$	-	211012-4
-	$\triangle 4$ $\triangle 8$	$\triangle 4$ $\triangle 7$	$\triangle 6$	-	211012-3
-	$\triangle 4$ $\triangle 8$	$\triangle 4$ $\triangle 7$	$\triangle 6$	(1J02-108)	211012-2
-	$\triangle 4$ $\triangle 8$	$\triangle 4$ $\triangle 7$	$\triangle 6$	-	211012-1
CONTACT	EYELET	SHELLS	CONTACT	CUSTOMER P/N	PART NO.

THIS DRAWING IS A CONTROLLED DOCUMENT.

DIMENSIONS: INCHES	TOLERANCES UNLESS OTHERWISE SPECIFIED:	0 PLC ± -	1 PLC ± -	2 PLC ± -	3 PLC ± .005 [0.13]	4 PLC ± -	ANGLES ± -				
MATERIAL	FINISH	WEIGHT	0.000000	SIZE	A1	CAGE CODE	00779	DRAWING NO.	211012	RESTRICTED TO	-
CUSTOMER DRAWING		SCALE	4:1	SHEET	1 OF 1	REV	AB				

APPROVED: J. NORTON, 11-17-98

DATE: 11-3-98

DESIGNED: C.C. THOMAS

STE TE Connectivity

CONNECTOR SAVER, AMPLIMITE 44 POSN, SIZE 3, SERIES 90

X-ON Electronics

Largest Supplier of Electrical and Electronic Components

Click to view similar products for [D-Sub Tools & Hardware](#) category:

Click to view products by [TE Connectivity](#) manufacturer:

Other Similar products are found below :

[000-01-09-132](#) [000-01-21-132](#) [000-01-31-162](#) [572019-00105-70](#) [000-01-37-162](#) [621-250-113-115](#) [D110550-2](#) [D20418-137](#) [D2041839](#) [780-518-50SG6-WS](#) [86552009](#) [86553115TLF](#) [86553117TLF](#) [1230032-1](#) [1-5021101-2](#) [1589283-4](#) [160-000-005R031](#) [16-000230](#) [160-025-004R031](#) [160-000-137R000](#) [160-020-209R000](#) [164C03939A](#) [177-505-A-2-2](#) [1-966830-8](#) [21018-6](#) [21028-2](#) [2-1393560-9](#) [JS-1000](#) [L17D204182M3E](#) [L17D53018](#) [300X10779X](#) [160X10189X](#) [160X10419X](#) [160X10959X](#) [162-000-050R000](#) [21018-5](#) [212561-3](#) [248C21550X](#) [CF15P](#) [QLOCKPOST-2](#) [D110277](#) [500-008NF1K-01](#) [500-008NF3R3KS-01](#) [500-017M09FN](#) [500-017M15MHN](#) [500-024M1](#) [500-068M3](#) [5-1393561-5](#) [C115373-0001](#) [C115373-0002](#)