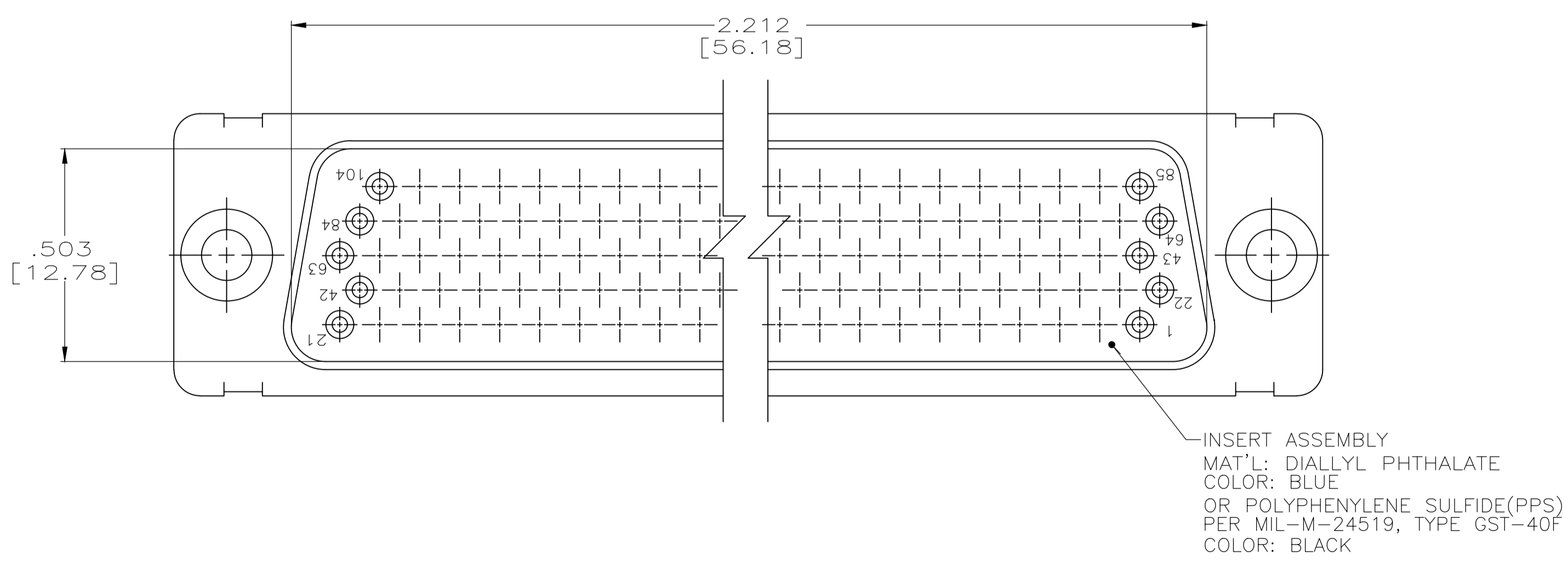
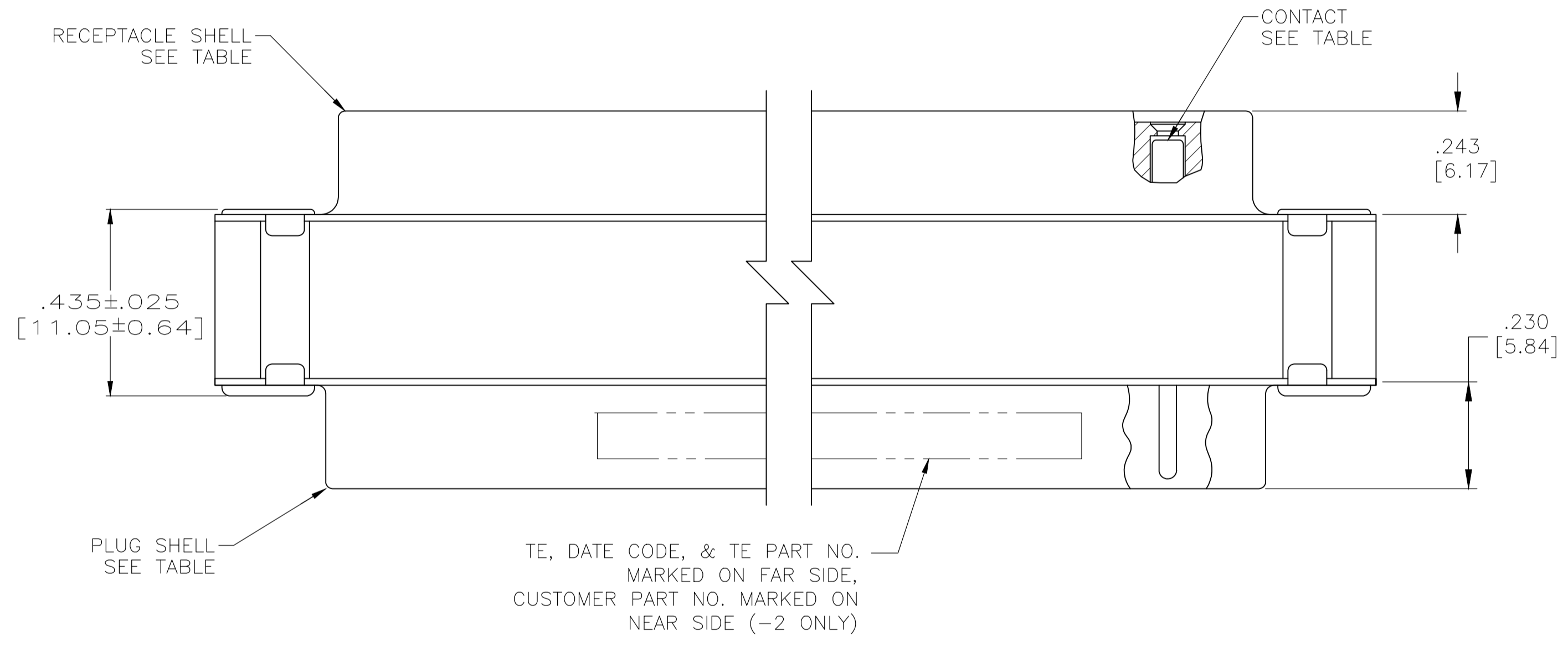
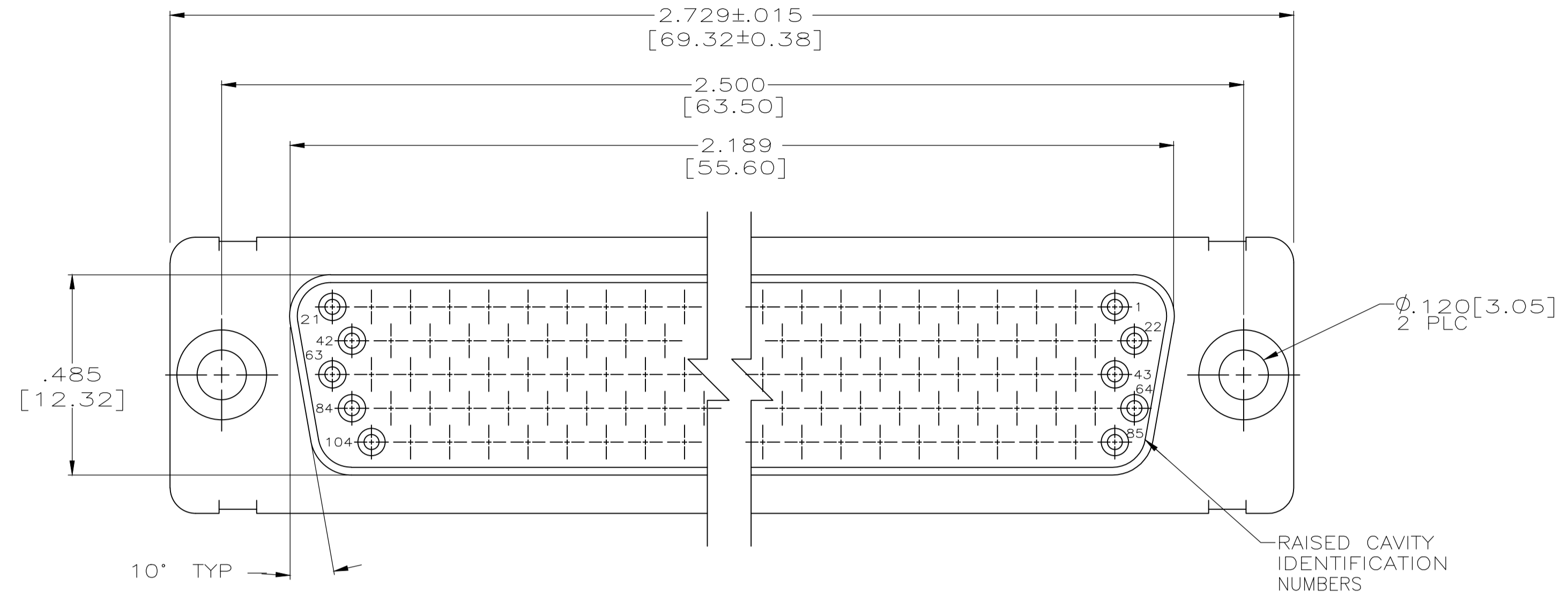
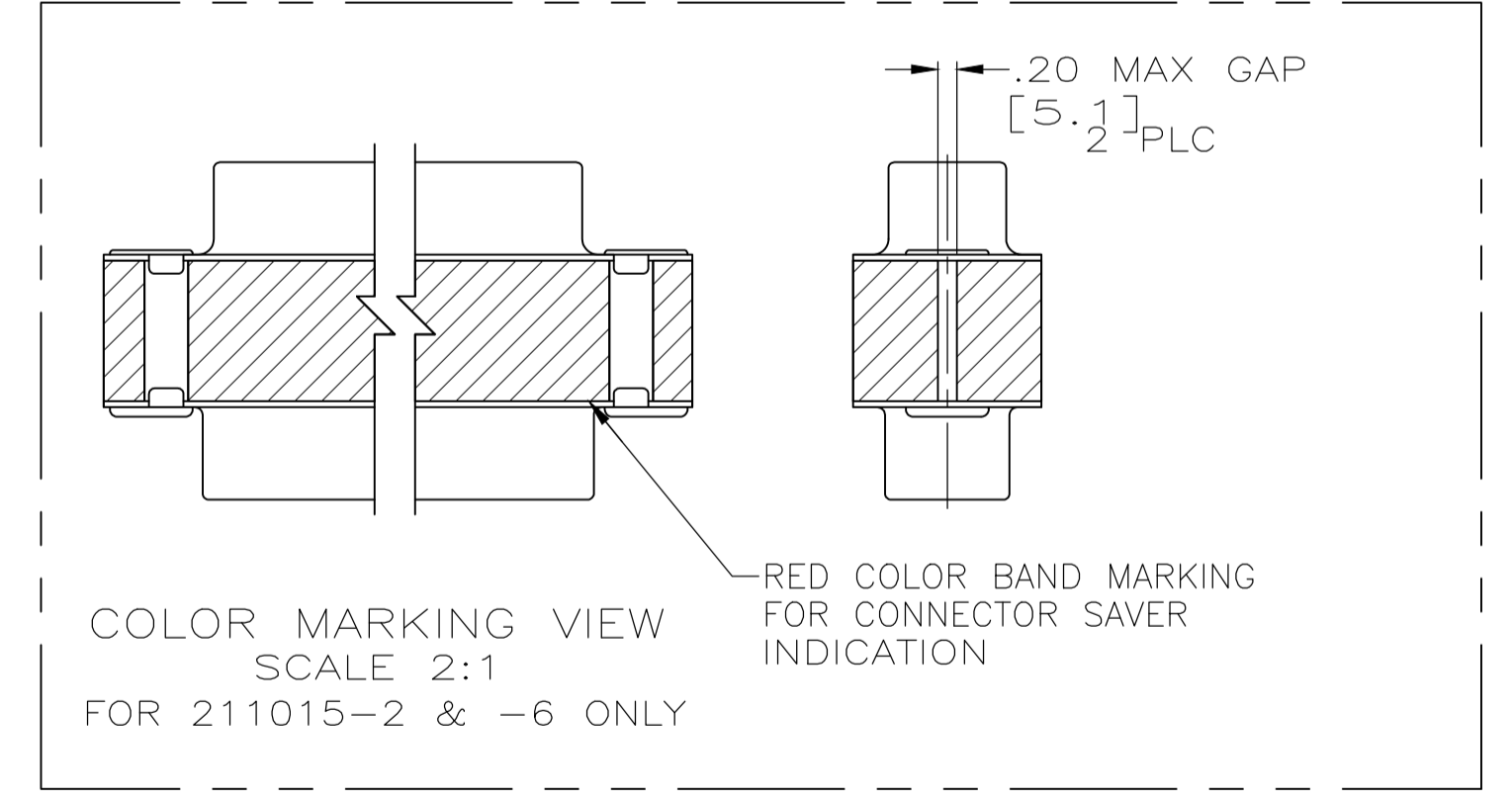
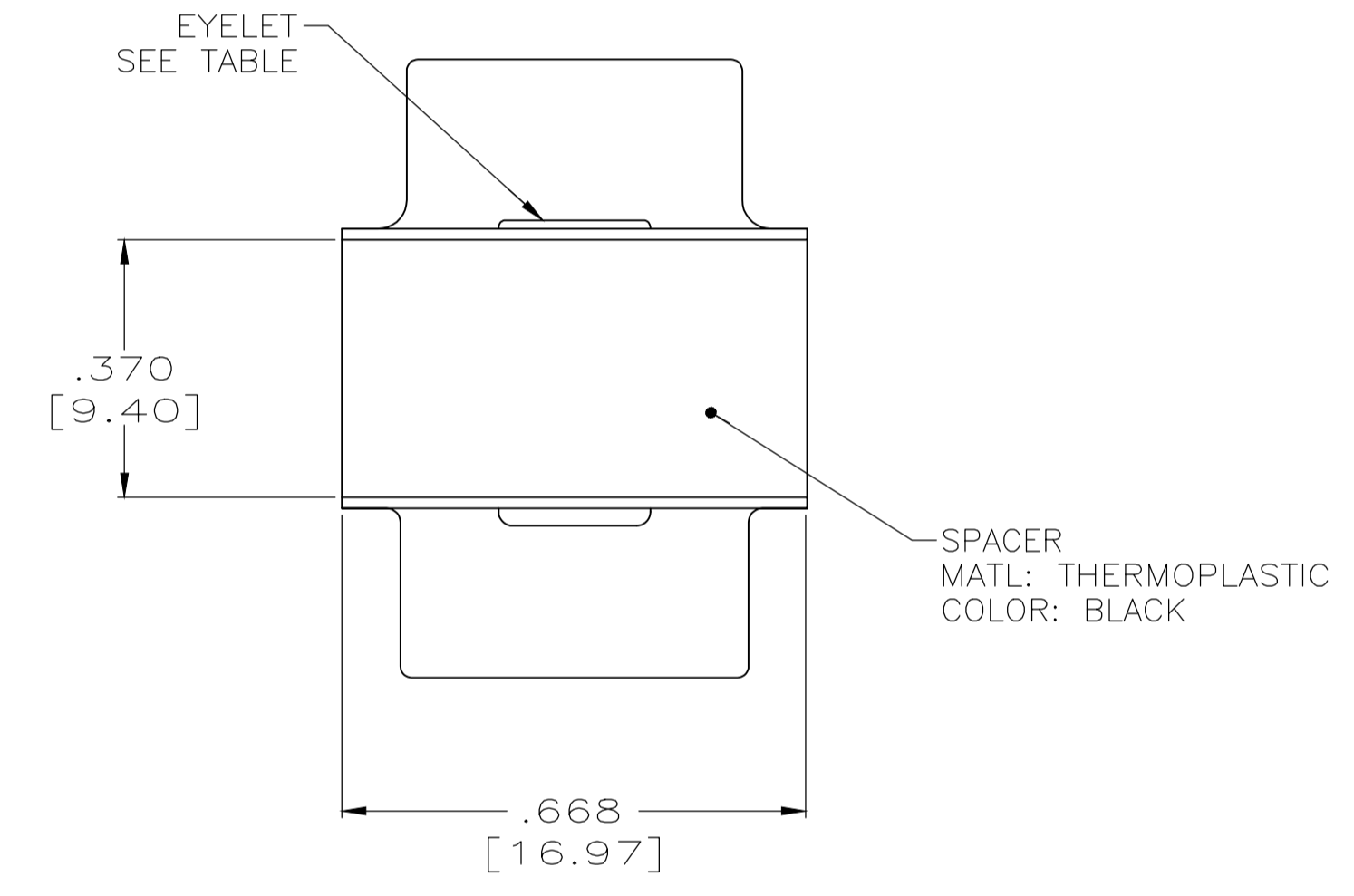


REVISIONS					
P	LTR	DESCRIPTION	DATE	DMN	APVD
Y	REV PER ECO	19-019228	4-17-20	CT	DM



- 1. CONTACTS INCLUDED IN ASSEMBLY.
- △ MATL: STEEL, PER ASTM-A-109.
- △ FINISH: CADMIUM PER QQ-P-416.
- △ MATL: BRASS PER ASTM-B-36.
- △ FINISH: PLATED ZINC .00020 MIN THK PER ASTM-B-633. YELLOW CHROMATE FINISH.
- △ CONTACT
- BODY MAT'L: BERYLLIUM COPPER PER ASTM-B-197.
- BODY FINISH: PLATED GOLD, .000050 MIN THK PER MIL-G-45204 OVER NICKEL, .000050 MIN THK PER QQ-N-290.
- HOOD MAT'L: STAINLESS STEEL PER ASTM-A-240.
- HOOD FINISH: PASSIVATED PER QQ-P-35
- △ FINISH: PLATED GOLD, .000050 MIN THK PER MIL-G-45204 OVER COPPER FLASH
- △ FINISH: PLATED GOLD, .000050 MIN THK PER MIL-G-45204 OVER COPPER, .000100 MIN THK PER MIL-C-14550.
- △ CONTACT
- BODY MAT'L: BERYLLIUM COPPER PER ASTM-B-197.
- BODY FINISH: PLATED GOLD, .000050 MIN THK PER MIL-G-45204 OVER COPPER, .000100 MIN THK PER MIL-C-14550.
- HOOD MAT'L: COPPER ALLOY PER QQ-B-613.
- FINISH: PLATED GOLD, .000050 MIN THK PER MIL-G-45204 OVER COPPER, .000100 MIN THK PER MIL-C-14550.



	△ △	△ △	△	4U884 SOCN R10002677-0111	211015-6
	△ △	△ △	△	2A091-006W-001	211015-5
	△ △	△ △	△	-	211015-4
OBSOLETE	-	-	-	-	211015-3
	△ △	△ △	△	(1J02-111)	211015-2
	△ △	△ △	△	-	211015-1
EYELET	SHELLS	CONTACT	CUSTOMER P/N	PART NO.	

THIS DRAWING IS A CONTROLLED DOCUMENT.		DMN C.C.THOMAS 11-3-98	TE Connectivity		
DIMENSIONS:	TOLERANCES UNLESS OTHERWISE SPECIFIED:	CHK J.NORTON 11-17-98	APVD J.NORTON 11-17-98	NAME CONNECTOR SAVER,AMPLIMITE 104 POSN.,SIZE 6,SERIES 90	
INCHES	0 PLC ± - 1 PLC ± - 2 PLC ± - 3 PLC ± .005 (0.13) 4 PLC ± - ANGLES ± -	PRODUCT SPEC		SIZE	CAGE CODE
		APPLICATION SPEC		A1	00779
MATERIAL	FINISH	WEIGHT	0.000000	SCALE	4:1
		CUSTOMER DRAWING		SHEET	1 OF 1

X-ON Electronics

Largest Supplier of Electrical and Electronic Components

Click to view similar products for [D-Sub Tools & Hardware](#) category:

Click to view products by [TE Connectivity](#) manufacturer:

Other Similar products are found below :

[000-01-09-132](#) [000-01-21-132](#) [000-01-31-162](#) [572019-00105-70](#) [000-01-37-162](#) [621-250-113-115](#) [D110550-2](#) [D20418-137](#) [780-518-50SG6-WS](#) [86552009](#) [86553115TLF](#) [86553117TLF](#) [1230032-1](#) [1-5021101-2](#) [1589283-4](#) [160-000-005R031](#) [16-000230](#) [160-025-004R031](#) [160-000-137R000](#) [160-020-209R000](#) [164C03939A](#) [177-505-A-2-2](#) [1-966830-8](#) [21018-6](#) [21028-2](#) [2-1393560-9](#) [JS-1000](#) [L17D204182M3E](#) [L17D53018](#) [300X10779X](#) [160X10189X](#) [160X10419X](#) [160X10959X](#) [162-000-050R000](#) [21018-5](#) [212561-3](#) [248C21550X](#) [CF15P](#) [QLOCKPOST-2](#) [D110277](#) [500-008NF1K-01](#) [500-008NF3R3KS-01](#) [500-017M09FN](#) [500-017M15MHN](#) [500-024M1](#) [500-068M3](#) [5-1393561-5](#) [C115373-0001](#) [C115373-0002](#) [3342-4-KIT](#)