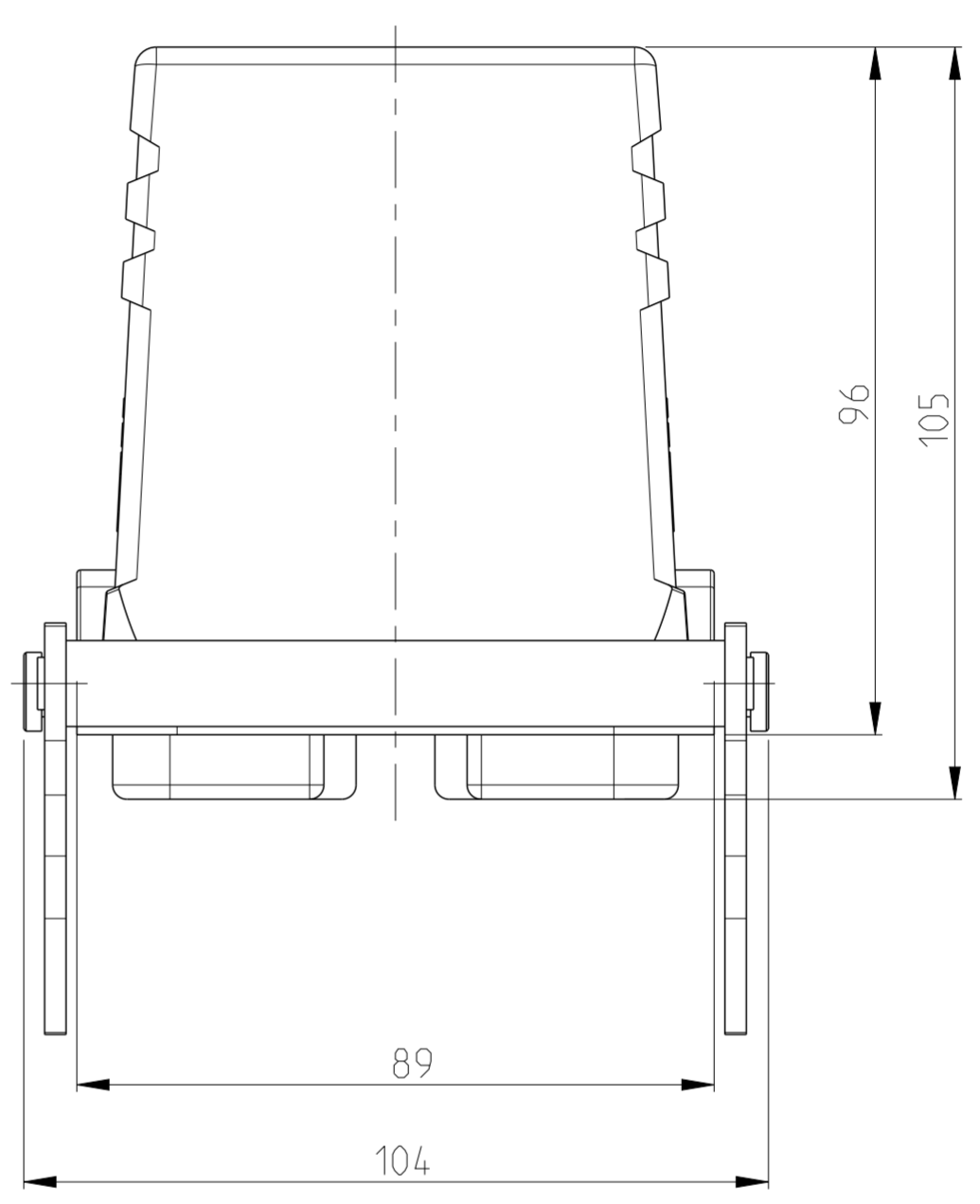
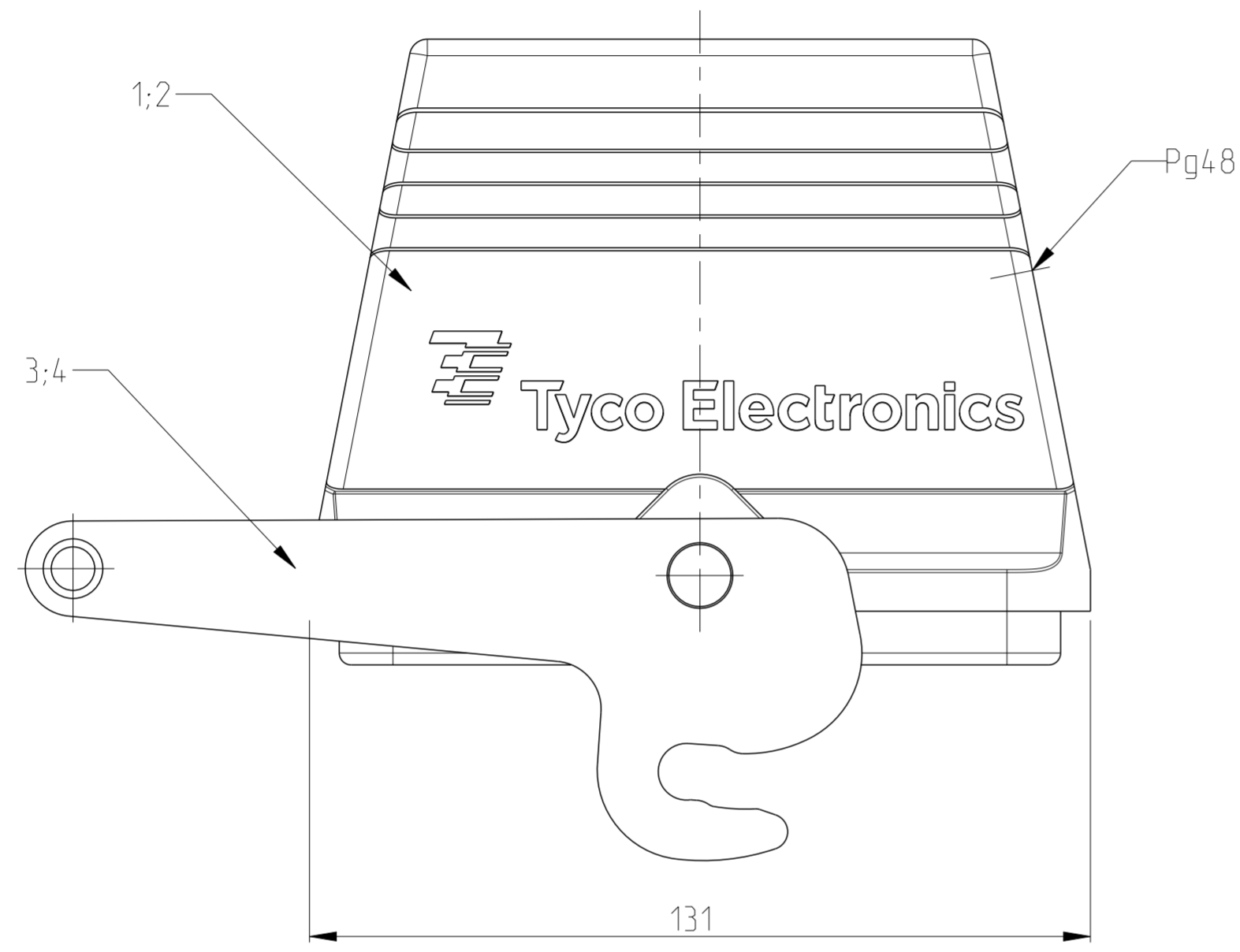


REVISIONS					
P	LTR	DESCRIPTION	DATE	DWN	APVD
A2		DRAWING reworked	20AUG2007	SR	SM
A4		NEW PRO/E DRAWING ECR-07-021681	15JAN2008	SR	ST
A5		REVISED PER ECR-17-013084	05JAN2018	NC	MKO



NOTES

- 1 MATERIAL: HOUSING - ALUMINIUM DIECASTING ALLOY
- 2 SURFACE: VARNISH BLACK  
- GREY
- 3 PACKAGING: QUANTITY 3 PIECES IN A BOX
- 4 VARNISHING INSIDE HOUSING NOT REQUIRED

OBSOLETE

2-3	1-3	DESCRIPTION	MATERIAL	SURFACE	COLOR	ITEM
2	2	FIXING RIVET	STAINLESS STEEL	BLANK		4
1	1	CENTRAL CLIP	STAINLESS STEEL	BLANK		3
1		HOOD HB	ALUMINIUM/ALU	ALUMINIUM OXID	BLACK	2
1		HOOD HB	ALUMINIUM/ALU		GREY	1

HB-Z.48.STS-ZB.1.48.G  
 HB-K/Z.48.STS-ZB.1.48.G

THIS DRAWING IS A CONTROLLED DOCUMENT.		DWN R.SCHNEIDER 17AUG2007	TE Connectivity	
DIMENSIONS: mm		CHK SCHNURPFELI 17AUG2007		
TOLERANCES UNLESS OTHERWISE SPECIFIED:		APVD -	NAME HOOD HB-Z.48.STS-ZB.1.48.G	
0 PLC ±		PRODUCT SPEC -	SIZE A2	
1 PLC ±		APPLICATION SPEC -	CAGE CODE 100779	
2 PLC ±		WEIGHT -	DRAWING NO C-1102236	
3 PLC ±		MATERIAL material_2	RESTRICTED TO	
4 PLC ±		FINISH finish_spec_2	SCALE 5:1	
ANGLES ±°		CUSTOMER DRAWING		
FINISH		SHEET 1 OF 1		
-		REV A5		

## X-ON Electronics

Largest Supplier of Electrical and Electronic Components

*Click to view similar products for [Heavy Duty Power Connectors](#) category:*

*Click to view products by [TE Connectivity](#) manufacturer:*

Other Similar products are found below :

[647757-1](#) [6643411-1](#) [6646058-2](#) [6646137-1](#) [6646138-1](#) [6646479-1](#) [6646608-1](#) [6646786-1](#) [6646940-1](#) [6651091-1](#) [6651525-1](#) [6651529-1](#)  
[6651788-1](#) [696475-1](#) [702-32-01109](#) [703-25-02205](#) [73000005059](#) [73000005642](#) [73080255059](#) [73080965046](#) [765-15-0080A](#) [765-16-0080B](#)  
[765-18-0080D](#) [829992-1](#) [902-77-02113](#) [PS00/A0620/6300](#) [PS25/A0420/63](#) [129-1J](#) [1409400](#) [AN0024023](#) [E6374G1](#) [e6389g2](#) [157-43GW8](#)  
[MS3117-14AC](#) [1643543-1](#) [1650540-1](#) [1651811-2](#) [1766260-1](#) [1766282-1](#) [1766966-1](#) [1791340000](#) [NLDFT-3-BL-L-S120-M40A](#) [NLDFT-N-](#)  
[W-L-C240-M40B](#) [NLS-2-R-C240-M40B](#) [NLS-N-W-C240-M40B](#) [NPS-3-BL-T6](#) [1986615-1](#) [2-1589900-8](#) [2199314-1](#) [KA8102](#)