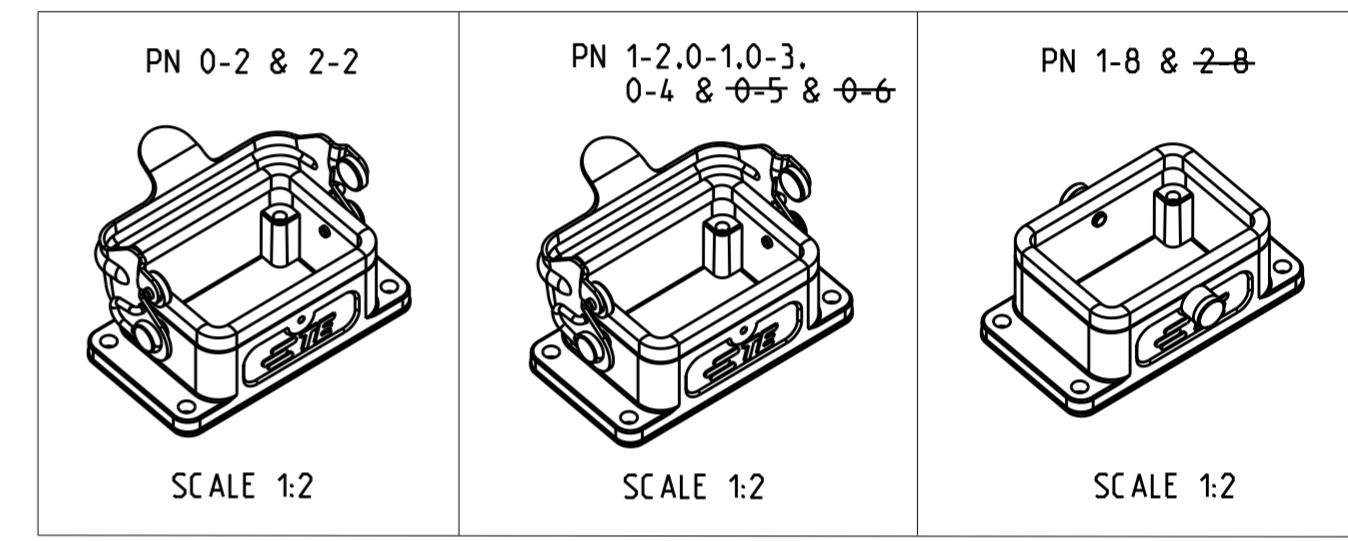
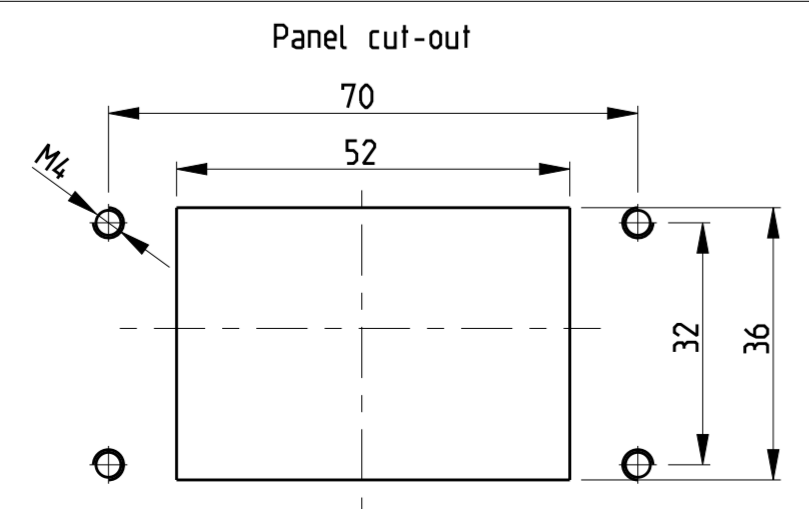
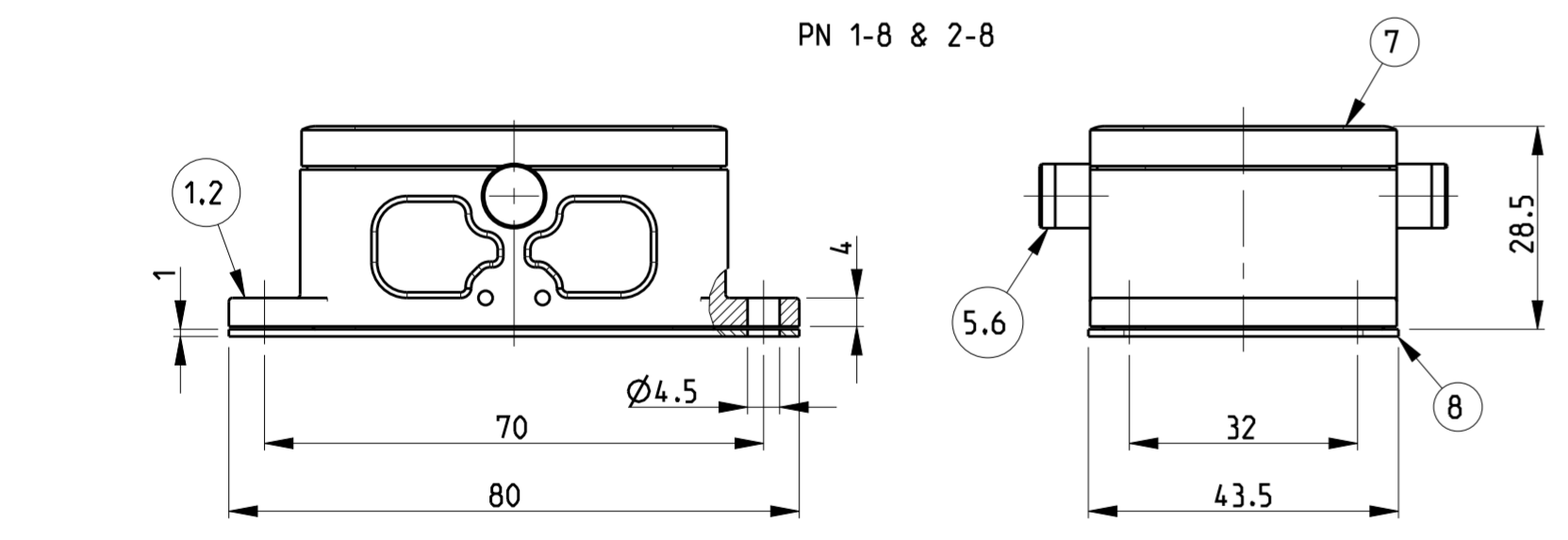
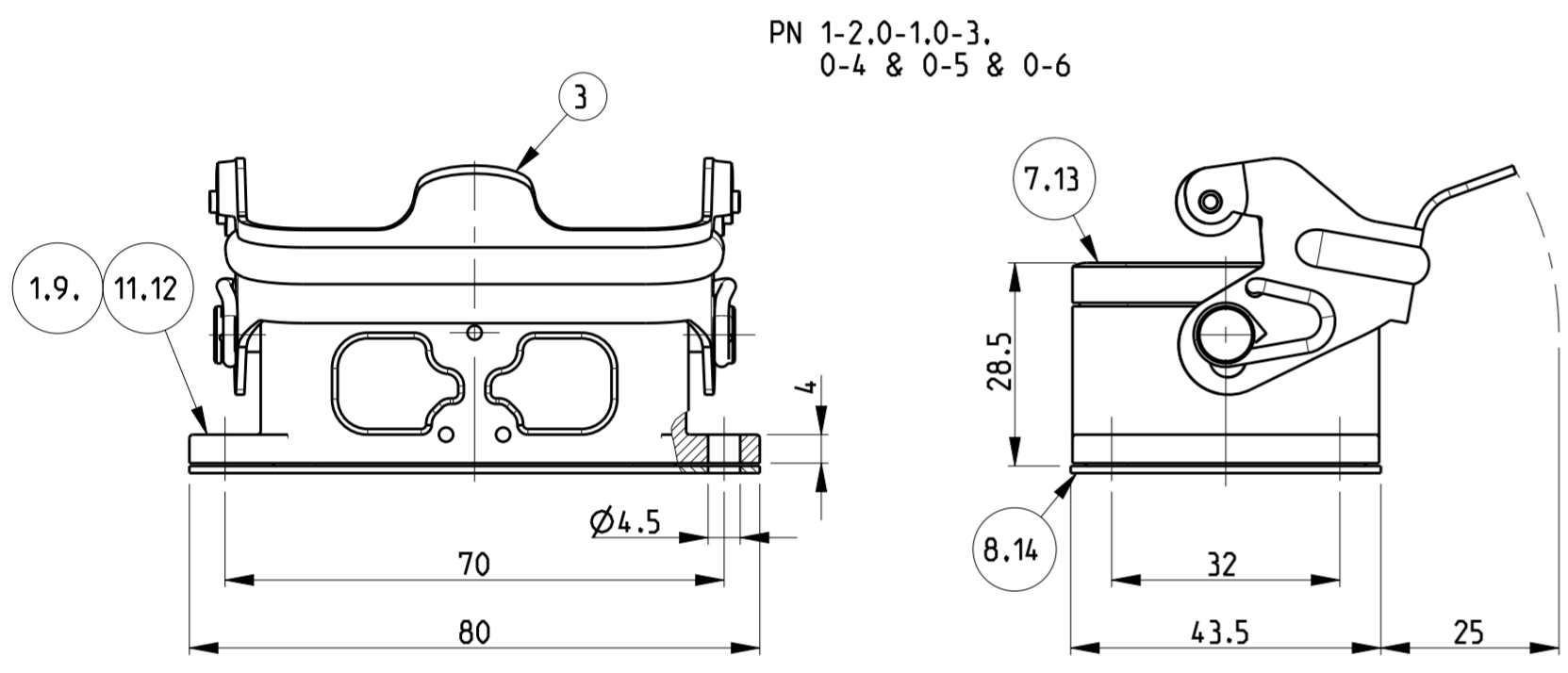
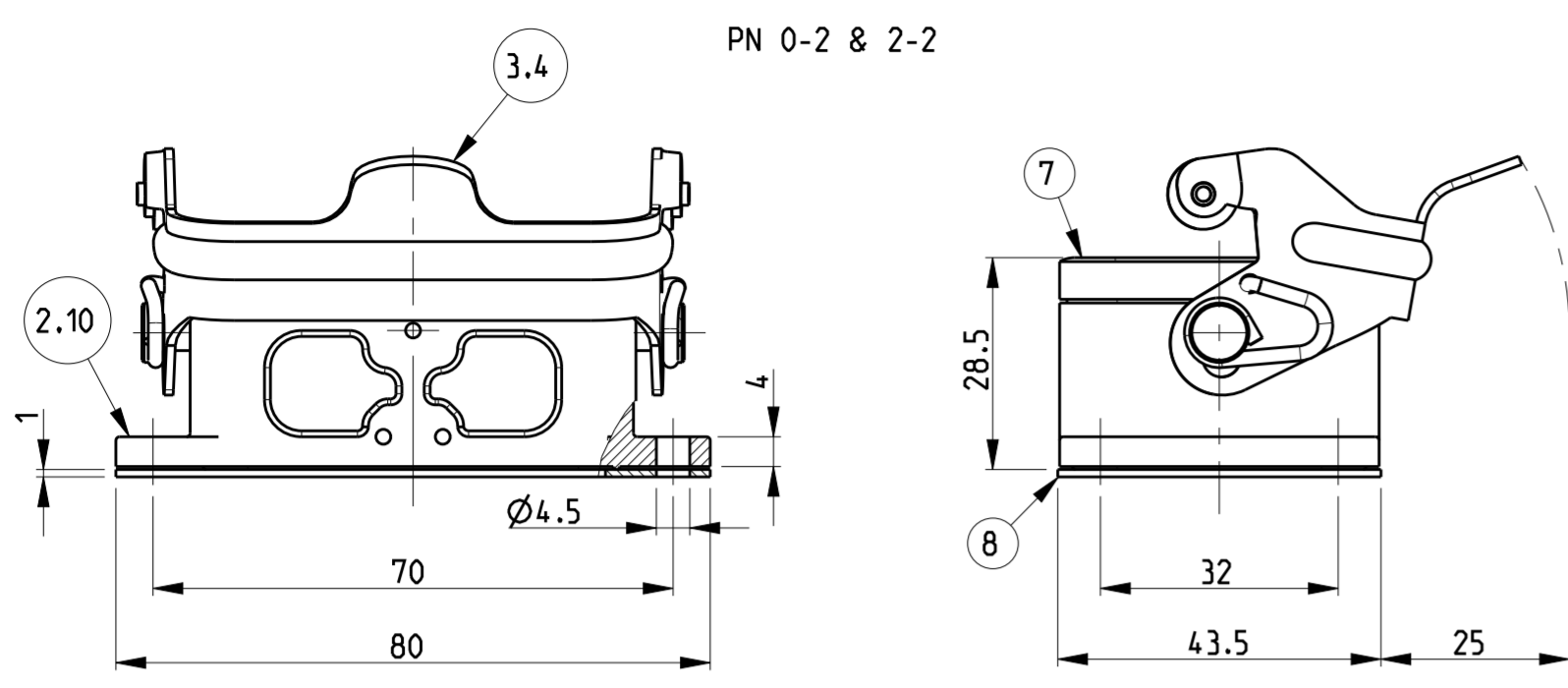


THIS DRAWING IS UNPUBLISHED. RELEASED FOR PUBLICATION .1997  
 © COPYRIGHT 1997 BY - ALL RIGHTS RESERVED.

REVISIONS				
P	LTR	DESCRIPTION	DATE	APVD
B		ECR-15-015803	19APR2016	GCM JB
B1		ECR-16-015318	16AUG2017	GR MKO
B2		ECR-16-016768	15NOV2017	GR MKO
B3		ECR-17-013084	28MAR2018	SG MKO

- NOTES.
- 1 Material:Housing:Aluminium Diecasting Alloy  
Seals: Neoprene
  - 2 Surface-Varnish Grey  
-Aluminium Oxide +  
Varnish Black
  - 3 Varnish on the inside not necessary
  - 4 Packaging  
Quantity 5 Pieces in a box



QTY	DESCRIPTION	MATERIAL	SURFACE	COLOR	ITEM NO	NOTES
1	Flange seal	Viton			14	
1	Profile seal	Viton			13	
1	Surface mounted housing bottom entry HB	Aluminium		White RAL 9010	12	Without Logo
1	Surface mounted housing bottom entry HB	Aluminium		Grey	11	Without Logo
1	Surface mounted housing bottom entry HB	Aluminium		Without varnish	10	
1	Surface mounted housing bottom entry HB	Aluminium		Borning ried	9	
1	Flange seal	Neoprene		Black	8	
1	Profile seal	Neoprene		Black	7	
2	ZB-Clip bolt	Stainless steel			6	
2	ZB-Clip bolt	Steel	Zinc plated	Blue	5	
1	LB-Side clip	Stainless steel			4	
1	LB-Side clip	Steel	Zinc plated	Blue	3	
1	Surface mounted housing bottom entry HB-K	Aluminium	Aluminium oxide	Black	2	
1	Surface mounted housing bottom entry HB	Aluminium		Grey	1	

ORDERING TEXT  
 HB.6.AG-LB  
 HB-K.6.AG-LB  
 HB-Z.6.AG-ZVGR  
 HB-K/Z.6.AG-ZVGR  
 HB.6.AG-LB  
 HB.6.AG-LB  
 HB.6.AG-LB  
 HB.6.AG-LB  
 HB.6.AG-LB.KM  
 HB.6.AG-LB  
 HB.6.AG-LB

THIS DRAWING IS A CONTROLLED DOCUMENT.

DWN: Schweiger 23.07.1997  
 CHK: Kramer 26.06.1998  
 APVD: Kramer

PRODUCT SPEC: 108-74001/74003  
 APPLICATION SPEC: 114-74004/74005

WEIGHT: -

CUSTOMER DRAWING

NAME: Surface mounted housing bottom entry HB6

SIZE: A2 CAGE CODE: 00779 DRAWING NO: C-1102244 RESTRICTED TO: B3

SCALE: 1:1 SHEET: 1 OF 1

## X-ON Electronics

Largest Supplier of Electrical and Electronic Components

*Click to view similar products for [Heavy Duty Power Connectors](#) category:*

*Click to view products by [TE Connectivity](#) manufacturer:*

Other Similar products are found below :

[647757-1](#) [6643411-1](#) [6646058-2](#) [6646137-1](#) [6646138-1](#) [6646479-1](#) [6646608-1](#) [6646786-1](#) [6646940-1](#) [6651091-1](#) [6651525-1](#) [6651529-1](#)  
[6651788-1](#) [696475-1](#) [702-32-01109](#) [703-25-02205](#) [73000005059](#) [73000005642](#) [73080255059](#) [73080965046](#) [765-15-0080A](#) [765-16-0080B](#)  
[765-18-0080D](#) [829992-1](#) [902-77-02113](#) [PS00/A0620/6300](#) [PS25/A0420/63](#) [129-1J](#) [1409400](#) [AN0024023](#) [E6374G1](#) [e6389g2](#) [157-43GW8](#)  
[MS3117-14AC](#) [1643543-1](#) [1650540-1](#) [1651811-2](#) [1766260-1](#) [1766282-1](#) [1766966-1](#) [1791340000](#) [NLDFT-3-BL-L-S120-M40A](#) [NLDFT-N-](#)  
[W-L-C240-M40B](#) [NLS-2-R-C240-M40B](#) [NLS-N-W-C240-M40B](#) [NPS-3-BL-T6](#) [1986615-1](#) [2-1589900-8](#) [2199314-1](#) [KA8102](#)