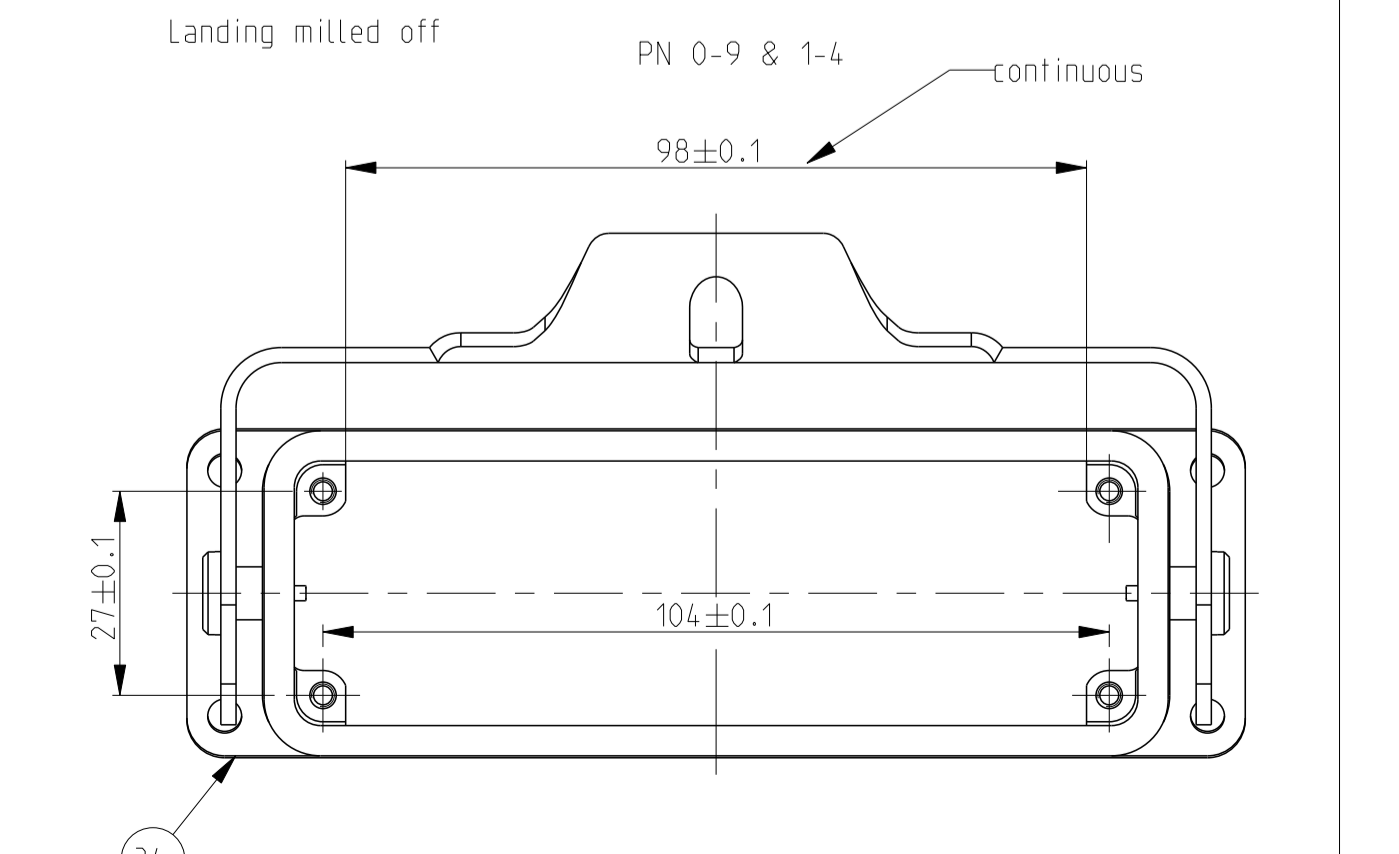
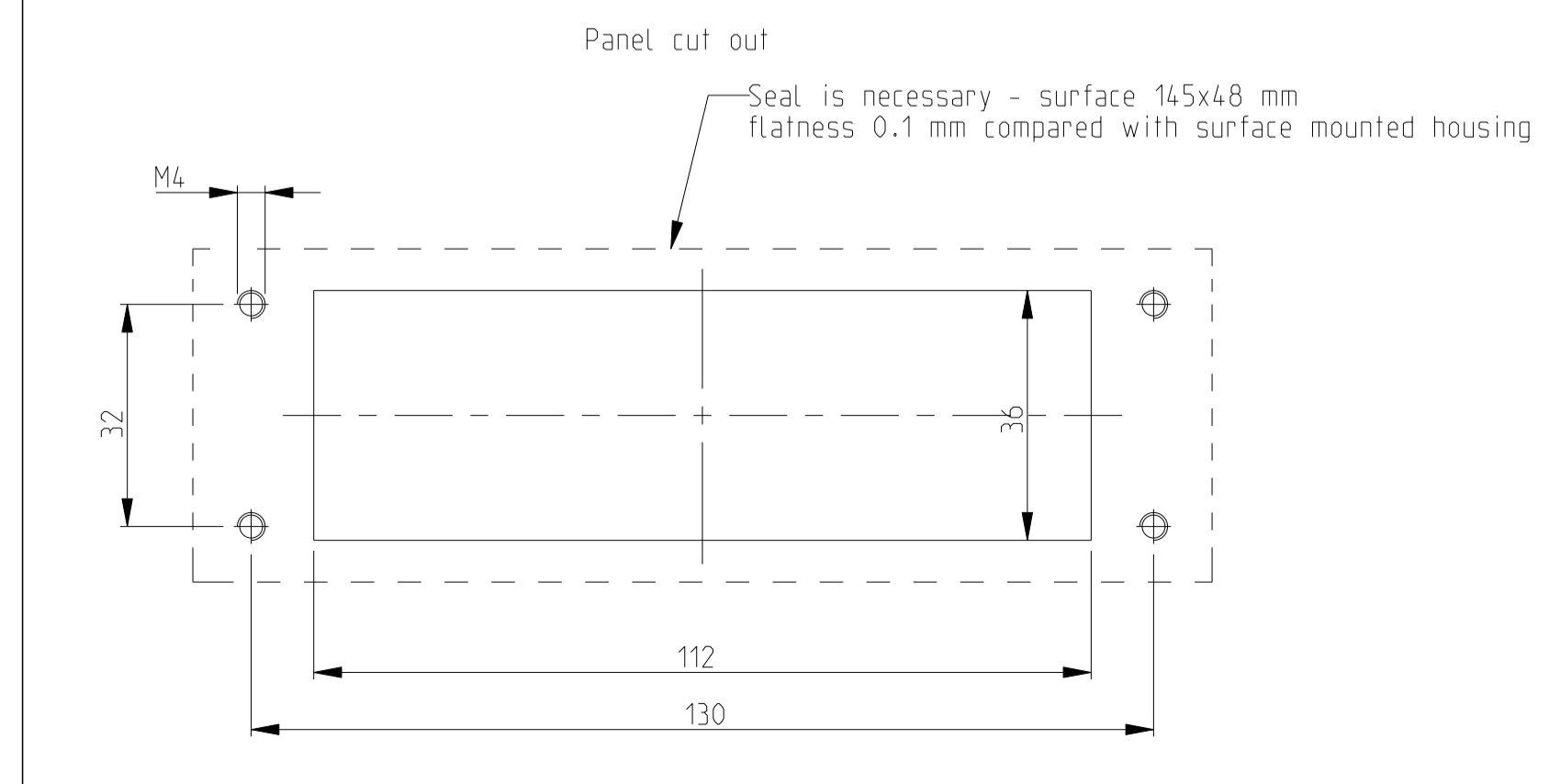
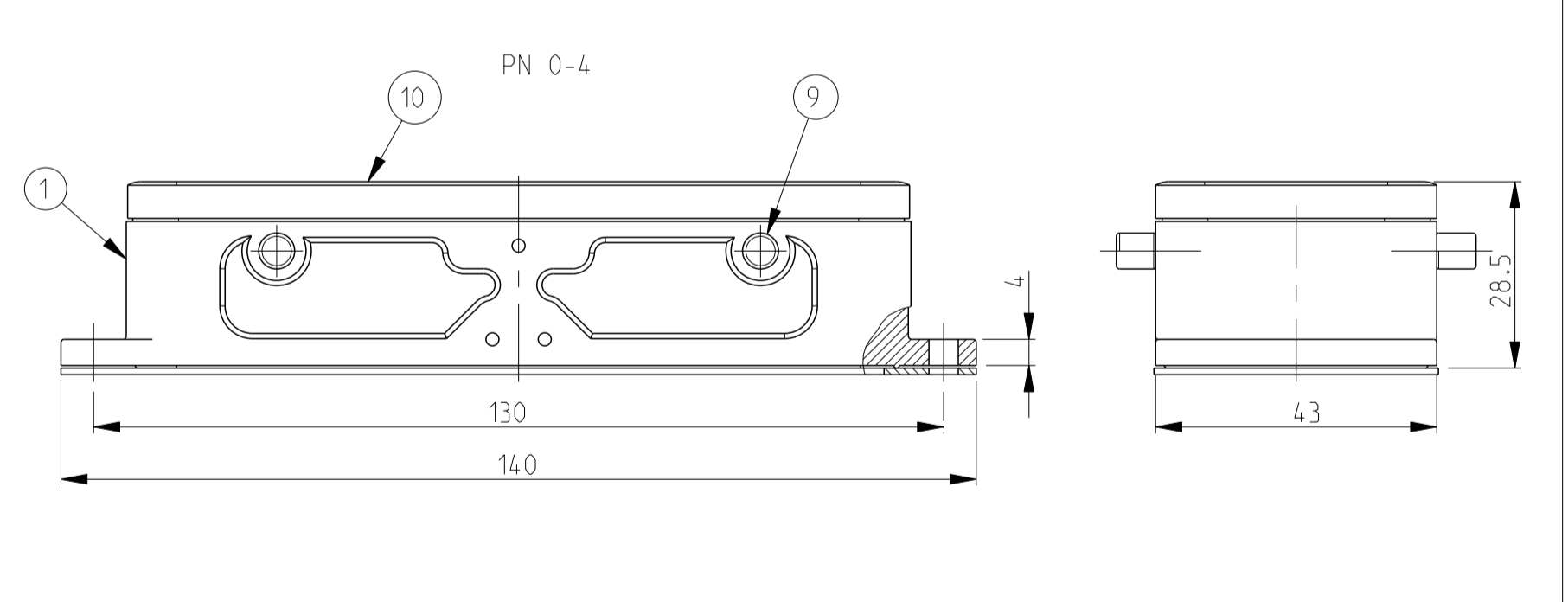
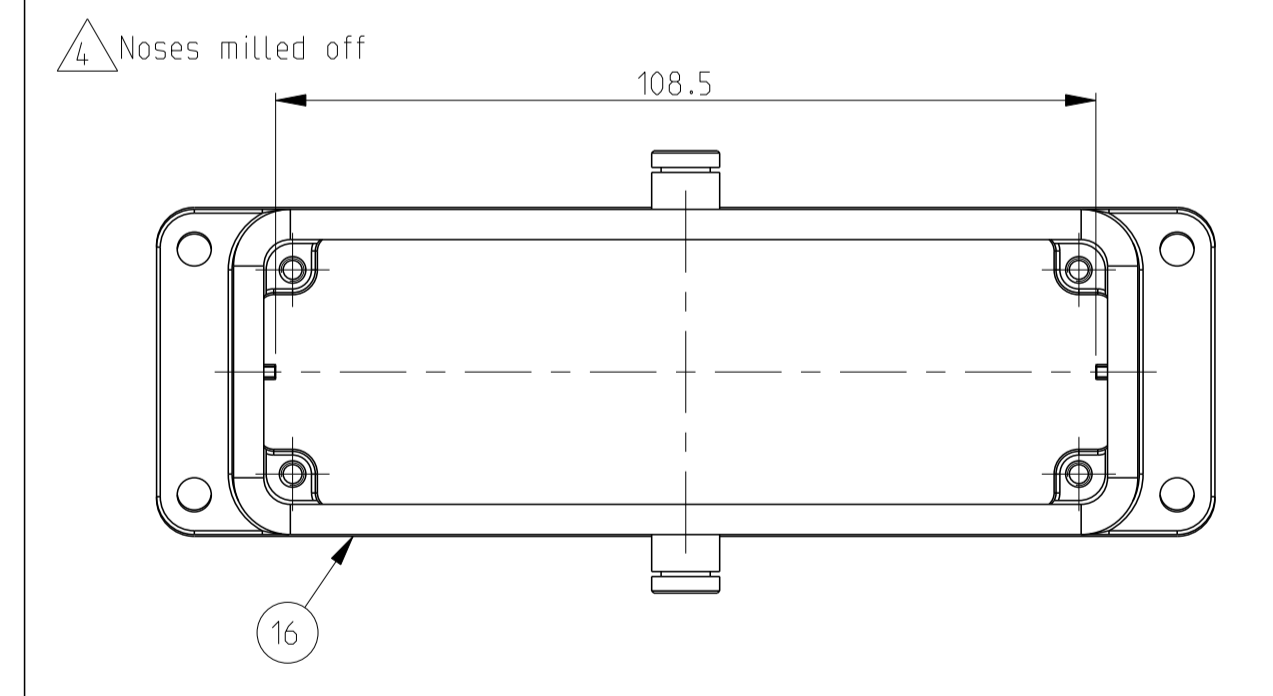
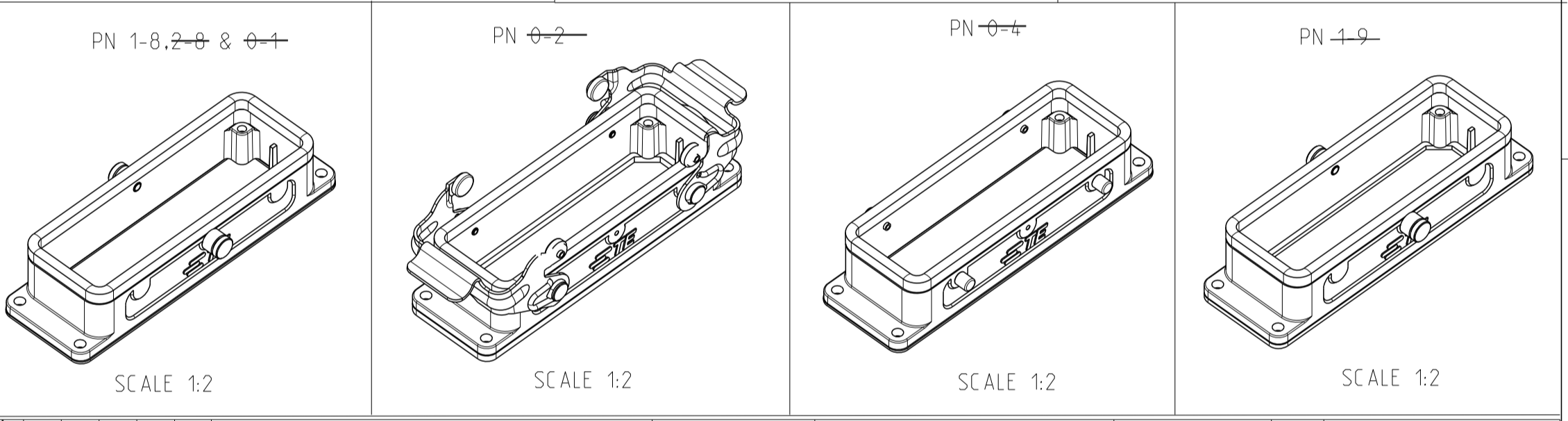
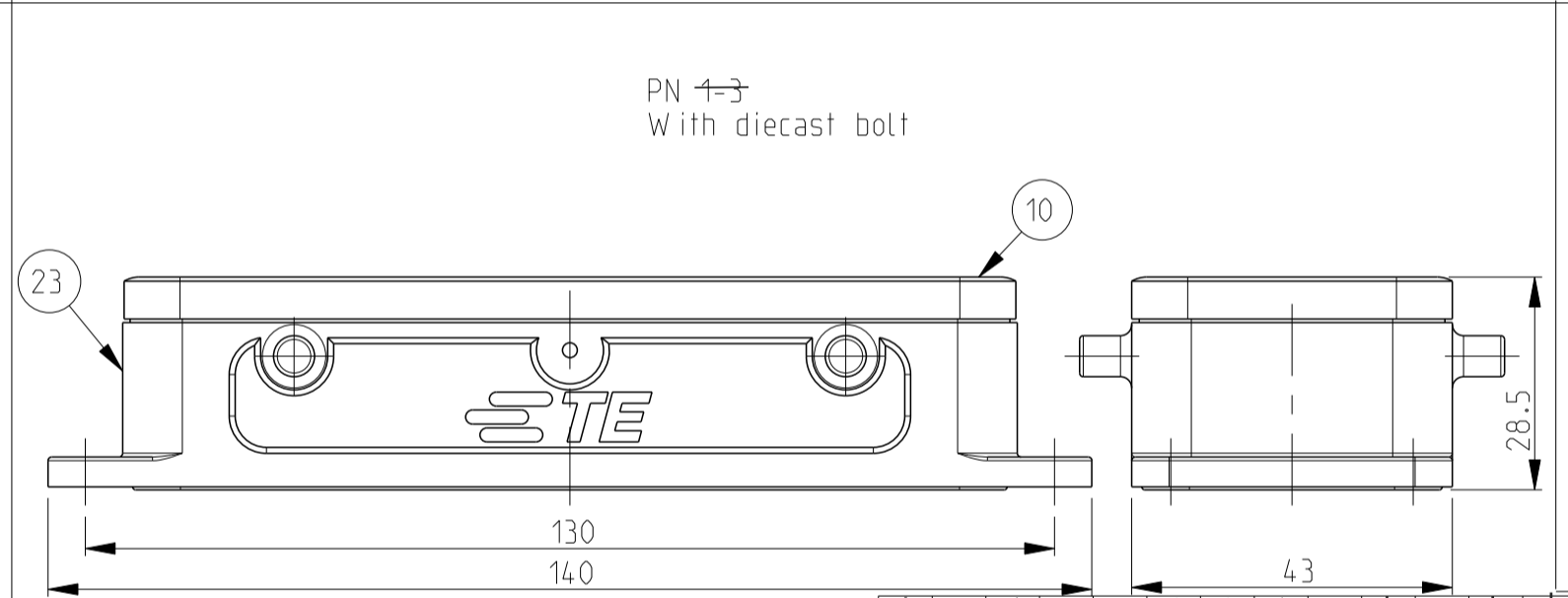
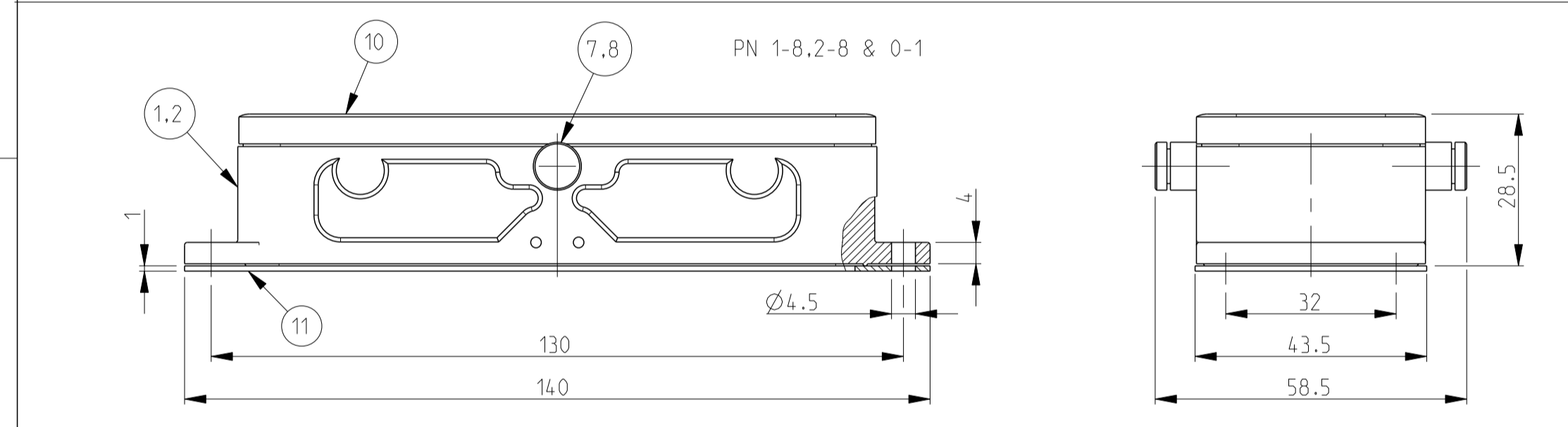
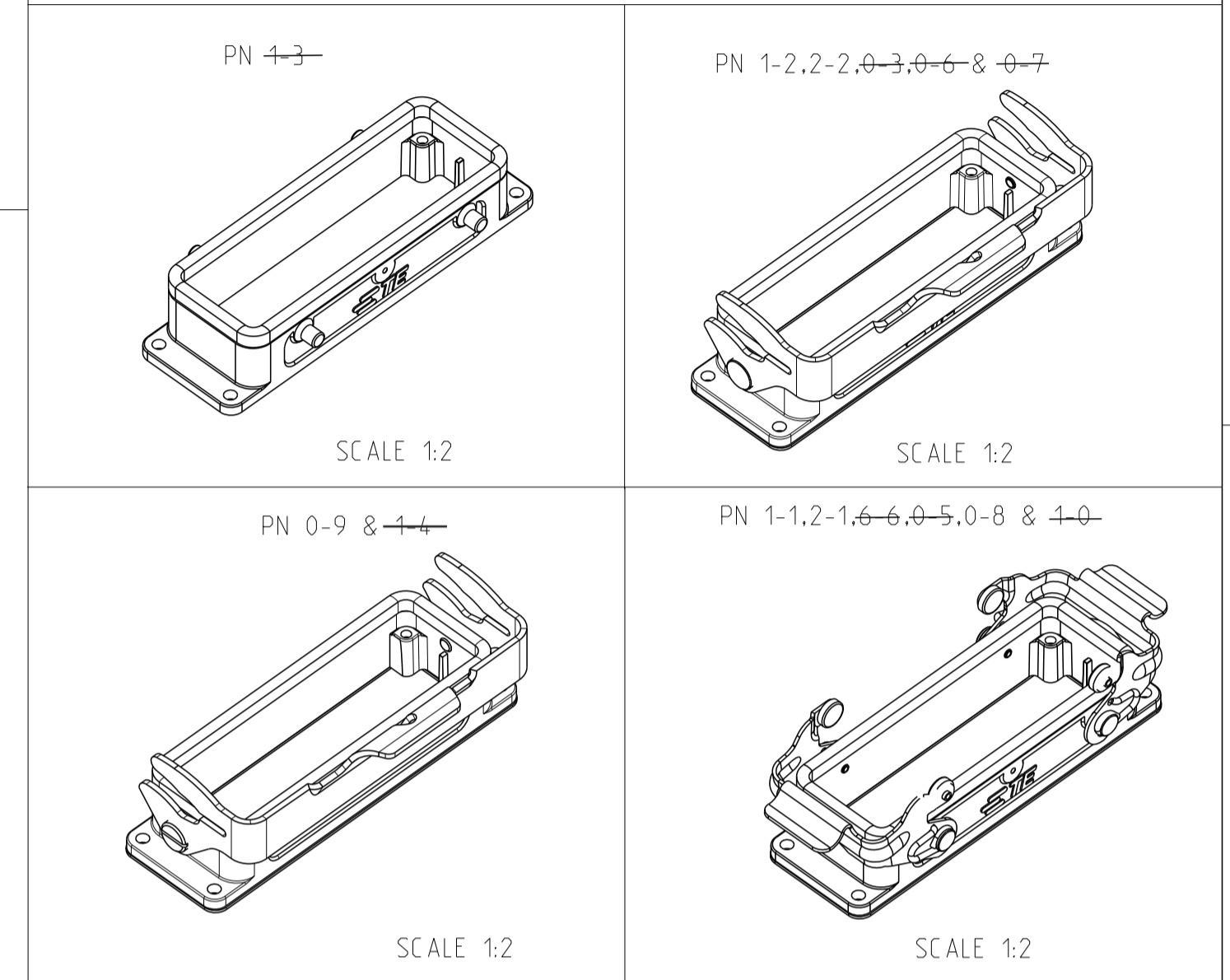
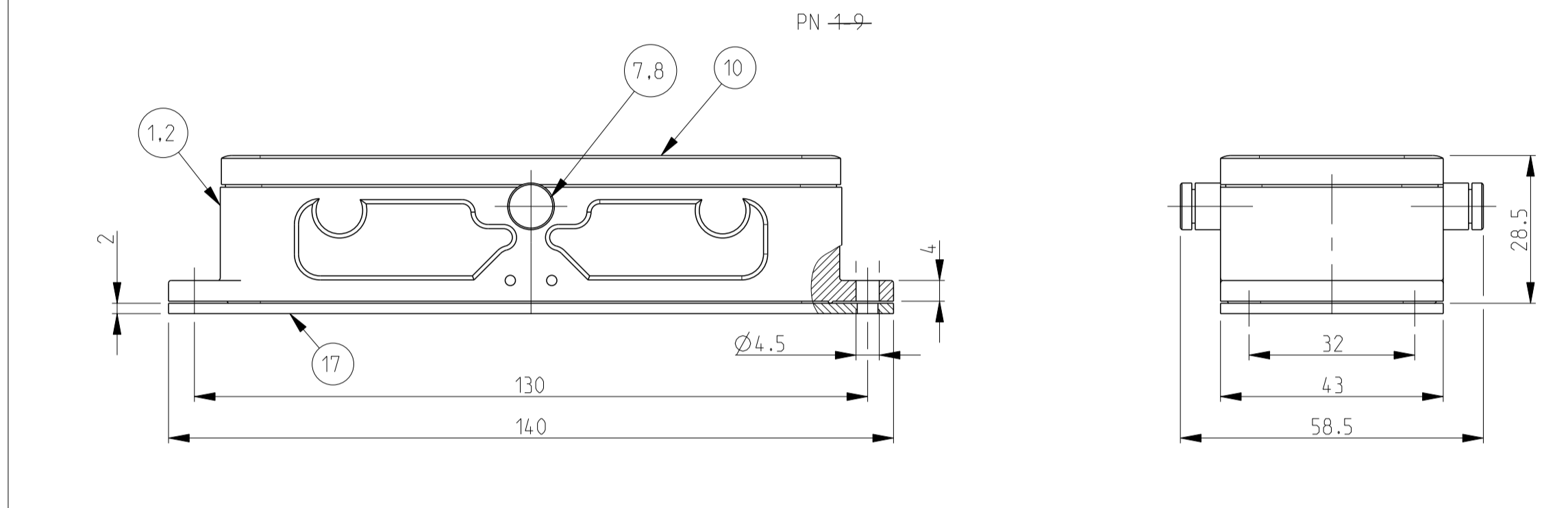
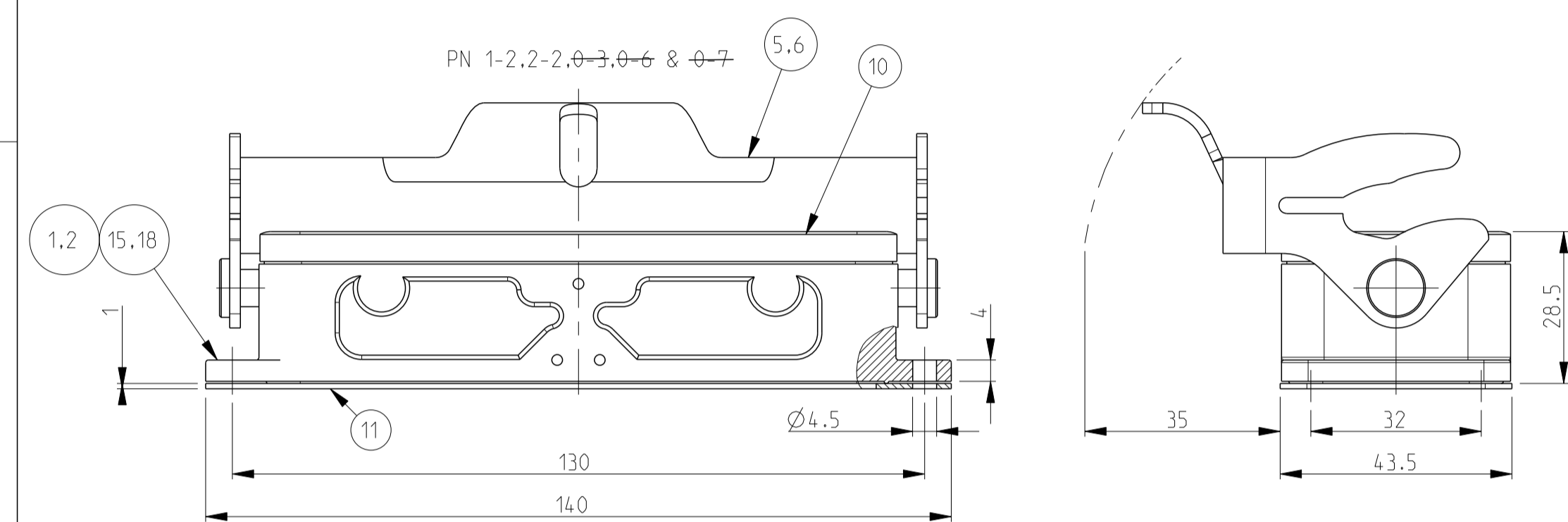
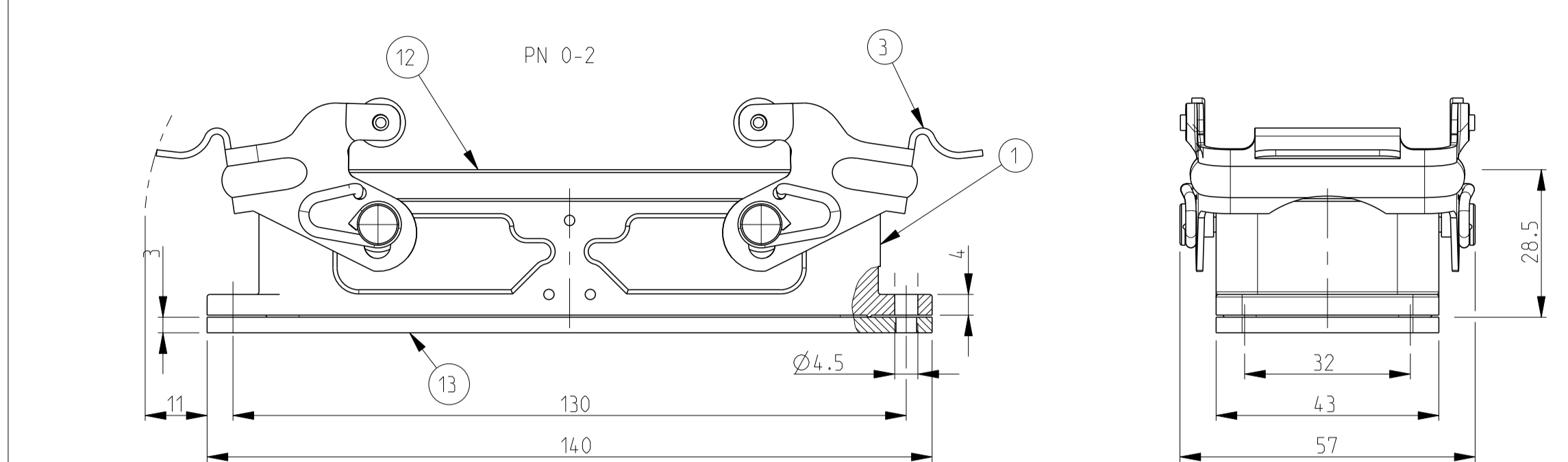
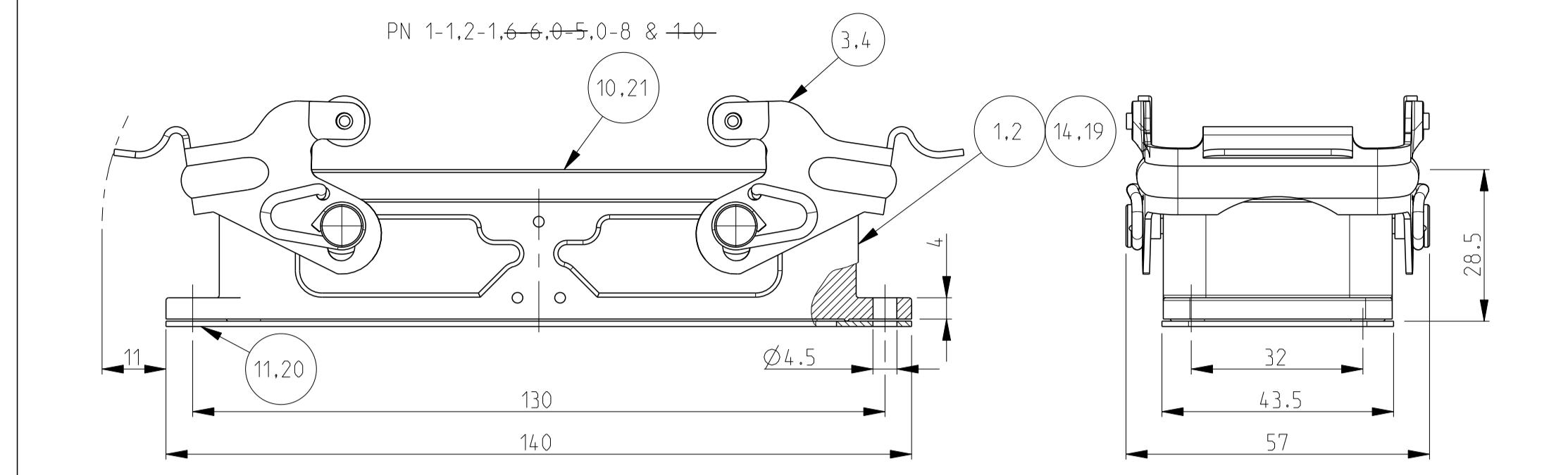


REVISIONS				
P	LTN	DESCRIPTION	DATE	OWN APVD
C	ECR-15-015721		18FEB2016	GCM JB
C1	ECR-16-015318		18AUG2017	GR MKO
C2	ECR-16-016768		15NOV2017	GR MKO
C3	ECR-17-014033		13MAR2018	SG MKO

NOTES
 1 Material : Housing : aluminium die casting alloy
 Seals : Neoprene : Viton
 2 Surface : Varnish - Grey
 - Aluminium oxide
 - Varnish black
 3 Varnish on the inside is not necessary
 4 Packaging
 Quantity 5 pieces in a box



ITEM NO	DESCRIPTION	MATERIAL	SURFACE	COLOR	ITEM NO	NOTES
1	Surface mounted housing side entry HB	Aluminium			23	With diecast bolt
2	Profile seal	Neoprene		Black	22	Conductive
3	Flange seal	Neoprene		Black	21	Conductive
4	Surface mounted housing side entry HB	Aluminium	Chromit AL TCP passivation	Black RAL9005	20	
5	Surface mounted housing side entry HB	Aluminium		Grey RAL7001	19	Neutral
6	Flange seal	Neoprene		Black	18	2 mm thick
7	Surface mounted housing side entry HB	Aluminium		Grey RAL7001	17	Noses milled off
8	Surface mounted housing side entry HB	Aluminium		Grey	16	Without TE indication
9	Surface mounted housing side entry HB-K	Aluminium oxide		Blank	15	
10	Surface mounted housing side entry HB	Aluminium		Grey RAL7001	14	Elecon-logo
11	Flanged seal	Viton		Black	13	
12	Profile seal	Viton		Light grey	12	3 mm thick
13	Flange seal	Neoprene		Black	11	1 mm thick
14	Profile seal	Neoprene		Black	10	
15	VS-Clip bolt	Steel	Zinc plated	Blue	9	
16	ZB-Clip bolt	Stainless steel		Blank	8	
17	ZB-Clip bolt	Steel	Zinc plated	Blue	7	
18	LB-Side clip	Stainless steel		Blank	6	
19	LB-Side clip	Steel	Zinc plated	Blue	5	
20	VS-Locking clip	Stainless steel		Blank	4	
21	VS-Locking clip	Steel	Zinc plated	Blue	3	
22	Surface mounted housing side entry HB-K	Aluminium		Black RAL9005	2	
23	Surface mounted housing side entry HB	Aluminium		Grey RAL7001	1	

THIS DRAWING IS A CONTROLLED DOCUMENT. DWN: Schwieger 23.071997
 CHK: Kramer 26.06.1998

TE Connectivity

Surface mounted housing bottom entry assy HB.24

108-74001/74003

114-74001/74004/74005

00779

SCALE 1:1 SHEET 1 OF 1 REV C3

X-ON Electronics

Largest Supplier of Electrical and Electronic Components

Click to view similar products for [Heavy Duty Power Connectors](#) category:

Click to view products by [TE Connectivity](#) manufacturer:

Other Similar products are found below :

[647757-1](#) [6643411-1](#) [6646058-2](#) [6646137-1](#) [6646138-1](#) [6646479-1](#) [6646608-1](#) [6646786-1](#) [6646940-1](#) [6651091-1](#) [6651525-1](#) [6651529-1](#)
[6651788-1](#) [696475-1](#) [702-32-01109](#) [703-25-02205](#) [73000005059](#) [73000005642](#) [73080255059](#) [73080965046](#) [765-15-0080A](#) [765-16-0080B](#)
[765-18-0080D](#) [829992-1](#) [902-77-02113](#) [PS00/A0620/6300](#) [PS25/A0420/63](#) [129-1J](#) [1409400](#) [AN0024023](#) [E6374G1](#) [e6389g2](#) [157-43GW8](#)
[MS3117-14AC](#) [1643543-1](#) [1650540-1](#) [1651811-2](#) [1766260-1](#) [1766282-1](#) [1766966-1](#) [1791340000](#) [NLDFT-3-BL-L-S120-M40A](#) [NLDFT-N-](#)
[W-L-C240-M40B](#) [NLS-2-R-C240-M40B](#) [NLS-N-W-C240-M40B](#) [NPS-3-BL-T6](#) [1986615-1](#) [2-1589900-8](#) [2199314-1](#) [KA8102](#)